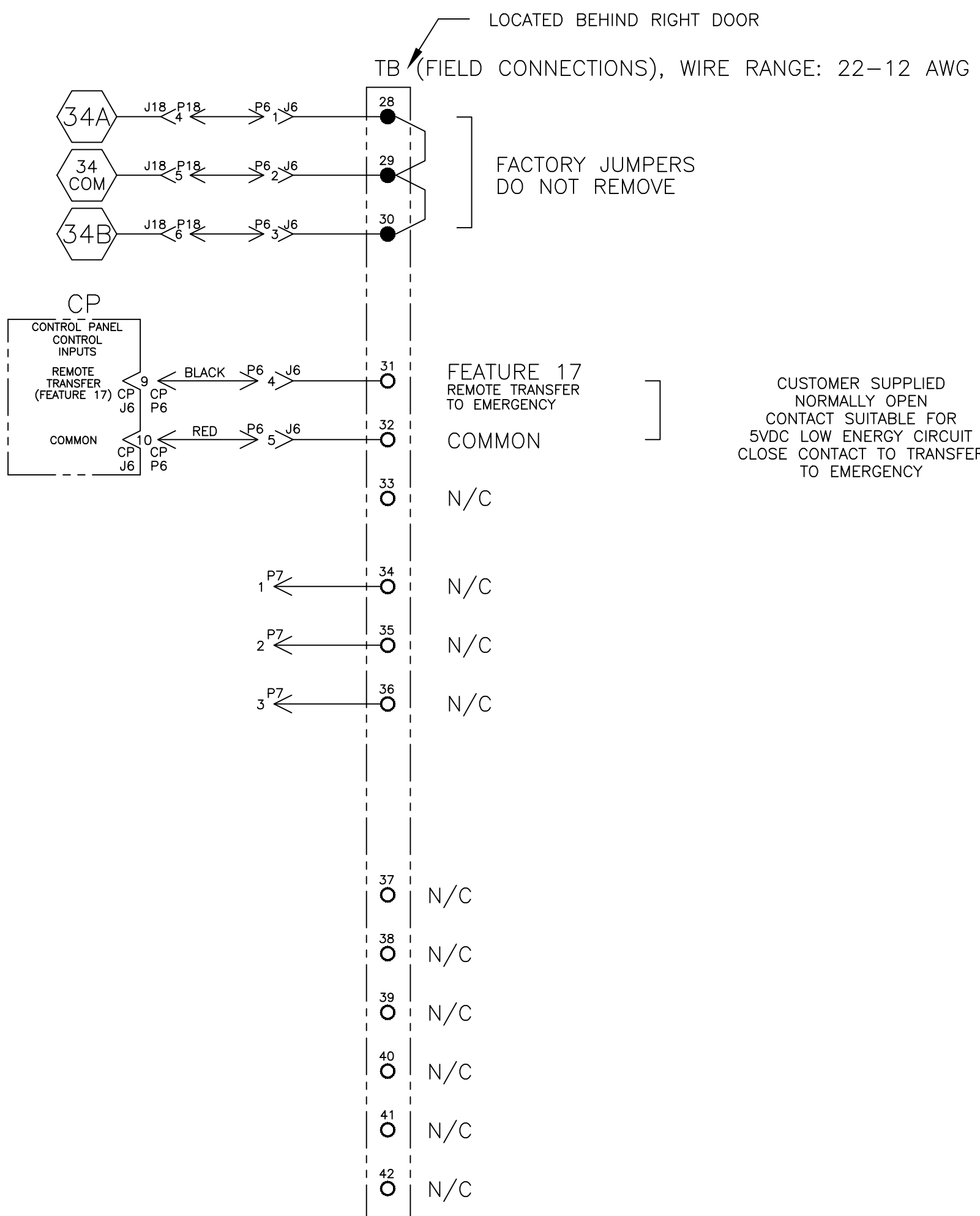
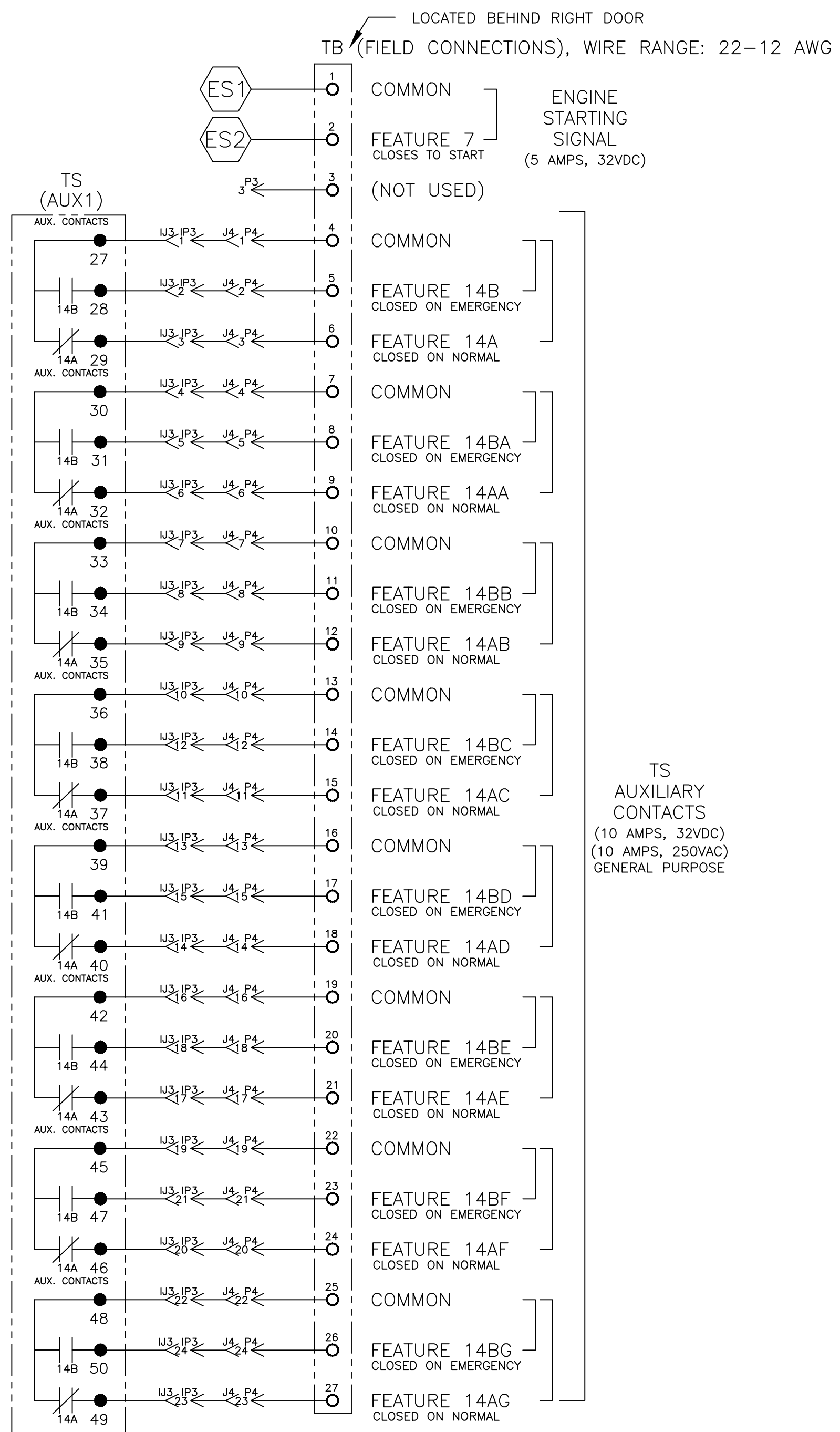


FIELD CONNECTIONS



F	290905	AWK	HSL	08/18/21
E	212251	MR	JPB	03/01/07
D	211805	MR	JPB	01/26/07
C	211529	MR	JPB	01/09/07
B	211031	JPB	JPB	11/27/06
A	210925	JPB	JPB	11/16/06
-	210421	JPB	JPB	10/17/06
-	ISSUE			

PROJECT NAME:		REV. TO SHEET	ECN NO.	BY	APP.	DATE
WIRING DIAGRAM						
7000 SERIES (J7ATB) 3PH 150-600 AMPS						
"J" FRAME, GROUP 5 CONTROLS						
DRAWN BY	BY	DATE	MANUFACTURING TOLERANCES TO BE IN ACCORDANCE WITH ASCO PROCEDURE MP-1-003. FOR PLASTIC PARTS SEE MP-1-055	ASSEM. REF. NO.	COMPUTER GENERATED DRAWING	
CHECKED	JPB	10/17/06	PROPERTY OF ASCO POWER TECHNOLOGIES. USE PERMITTED FOR OUR WORK ONLY. ALL RIGHTS OF DESIGN OR INVENTION ARE RESERVED.		SCALE	NONE
PROJECT APPROVAL					DWG. NO.	SIZE DS
FINAL APPROVAL	JPB	10/17/06			806095	
			ASCO ASCO POWER TECHNOLOGIES, LP. FLORHAM PARK, NEW JERSEY 07932 U.S.A.		DRAWING F	ECN NO. 290905
					REV.	SHEET 2 OF 8

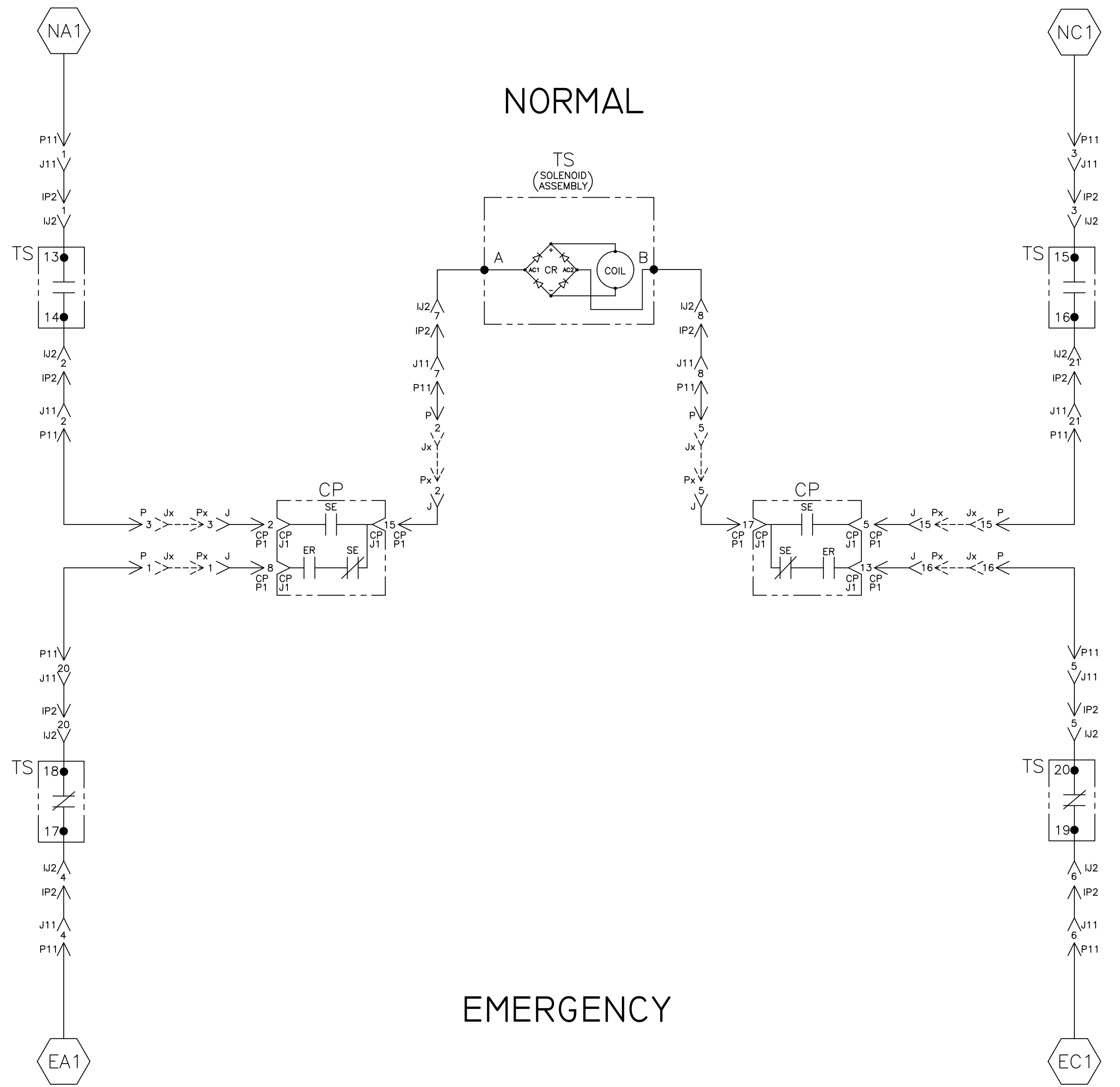
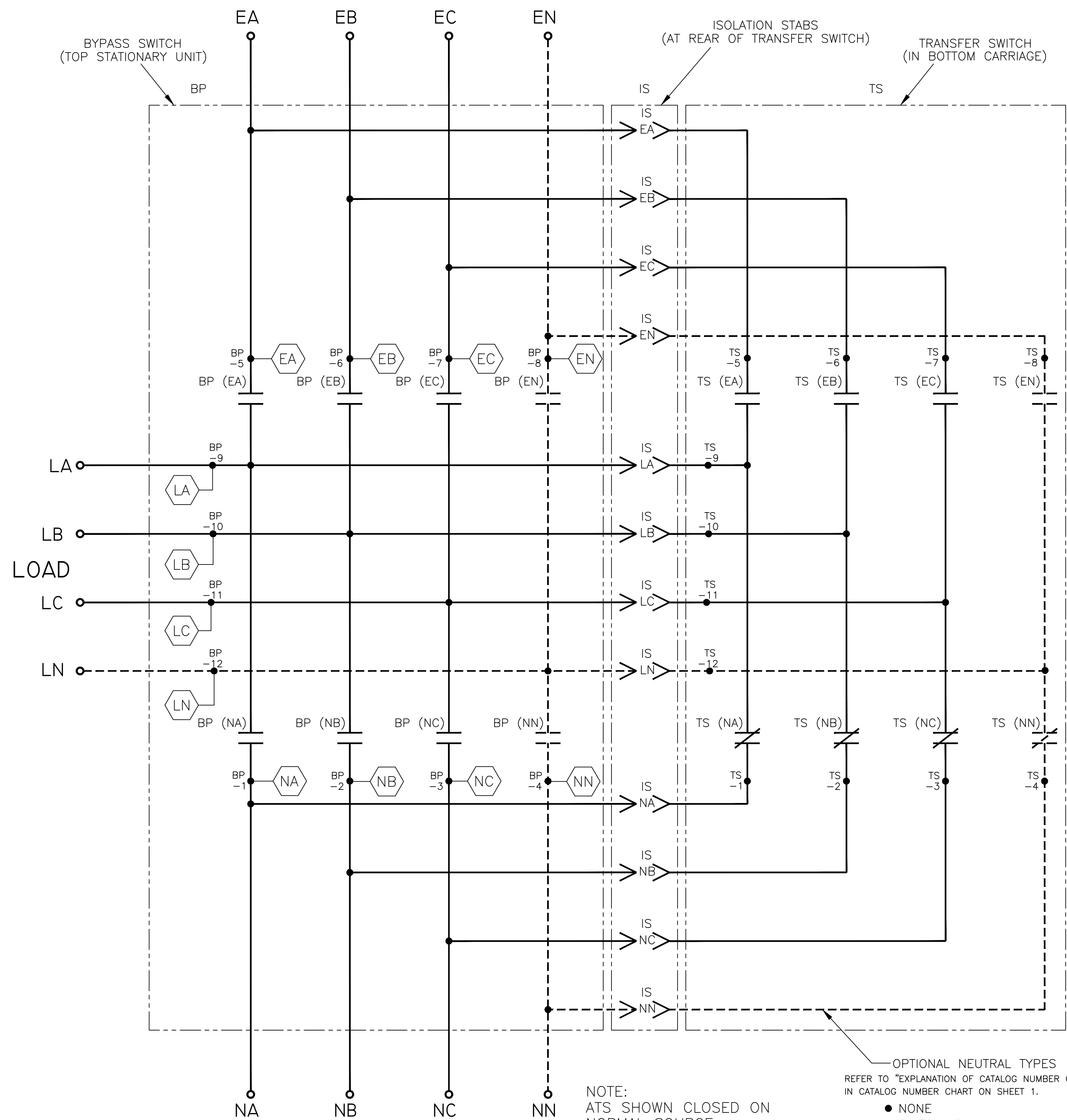
MAIN POWER POLES

TS OPERATOR CIRCUIT

EMERGENCY

NORMAL

EMERGENCY



NOTE:
ATS SHOWN CLOSED ON
NORMAL SOURCE.
BYPASS SWITCH IN
(AUTOMATIC) POSITION.

OPTIONAL NEUTRAL TYPES
REFER TO "EXPLANATION OF CATALOG NUMBER CODES"
IN CATALOG NUMBER CHART ON SHEET 1.

- NONE
- SWITCHING
- OVERLAPPING CONTACTS
- SOLID BUS PLATE

TS	TS CONTROL CONTACTS			
	SOLENOID POSITION			
	CLOSED BEFORE NORMAL	BEFORE TDC	BEFORE TDC	CLOSED EMERG
13-14				
15-16				
17-18				
19-20				

TDC (TOP DEAD CENTER)
TRANSFER SWITCH TEST & ADJUSTMENT PROCEDURE
SPECIFIES CONTROL CUT-OFF (CONTACT OPENING)
SETTING.

F	290905	AWK	HSL	08/18/21
	SEE ECN			
E	212251	MR	JPB	03/01/07
	SEE ECN			
D	211805	MR	JPB	01/26/07
	SEE ECN			
C	211529	MR	JPB	01/09/07
	SEE ECN			
B	211031	JPB	JPB	11/27/06
	SEE ECN			
A	210925	JPB	JPB	11/16/06
	SEE ECN			
-	210421	JPB	JPB	10/17/06
	ISSUE			

PROJECT NAME: **WIRING DIAGRAM**

7000 SERIES (J7ATB) 3PH 150-600 AMPS

"J" FRAME, GROUP 5 CONTROLS

SCALE: NONE SIZE: DS

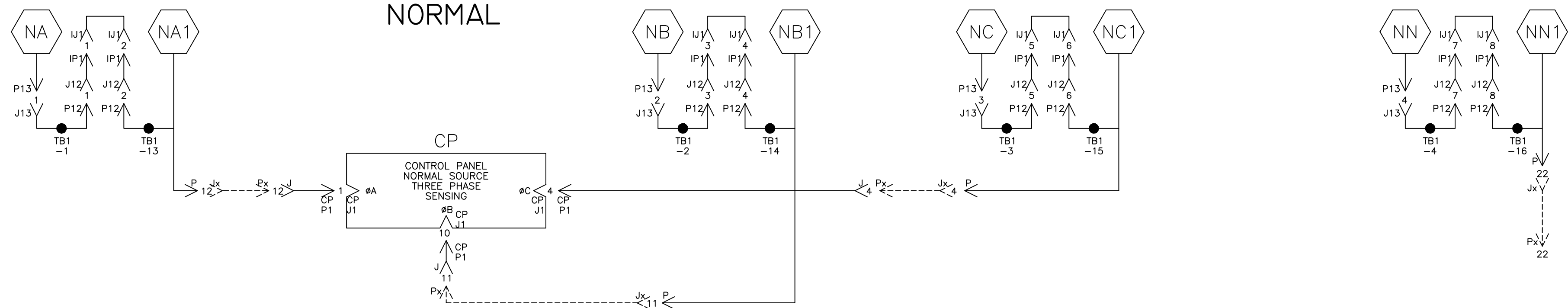
806095

ASCO POWER TECHNOLOGIES, LP.
FLORHAM PARK, NEW JERSEY 07932 U.S.A.

REV. 290905 3 OF 8

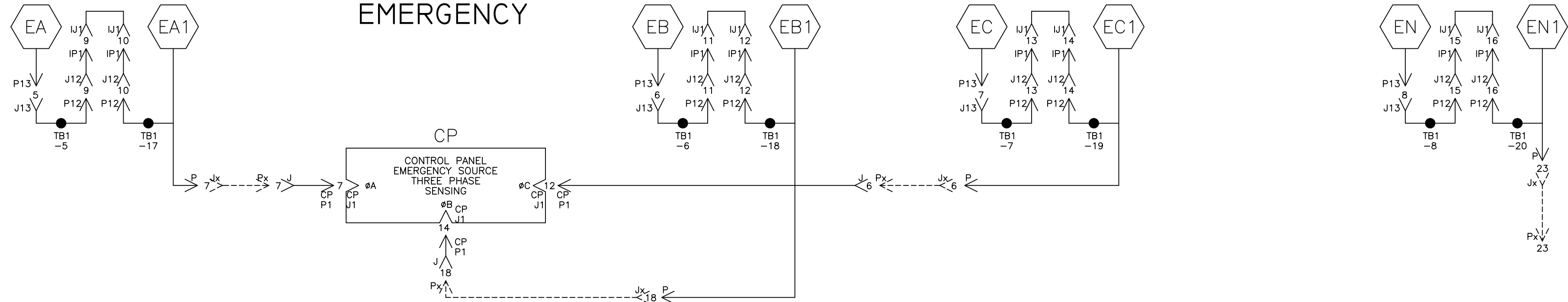
NORMAL SOURCE CIRCUITS

NORMAL



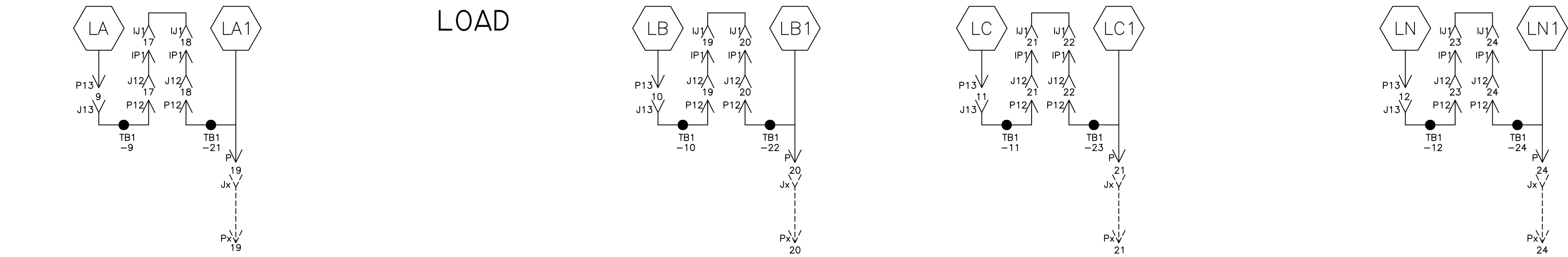
EMERGENCY SOURCE CIRCUITS

EMERGENCY

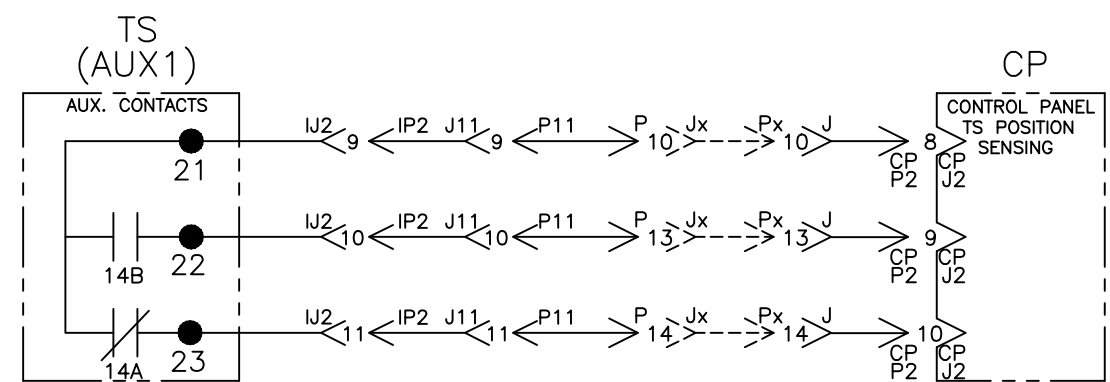


LOAD TERMINAL CIRCUITS

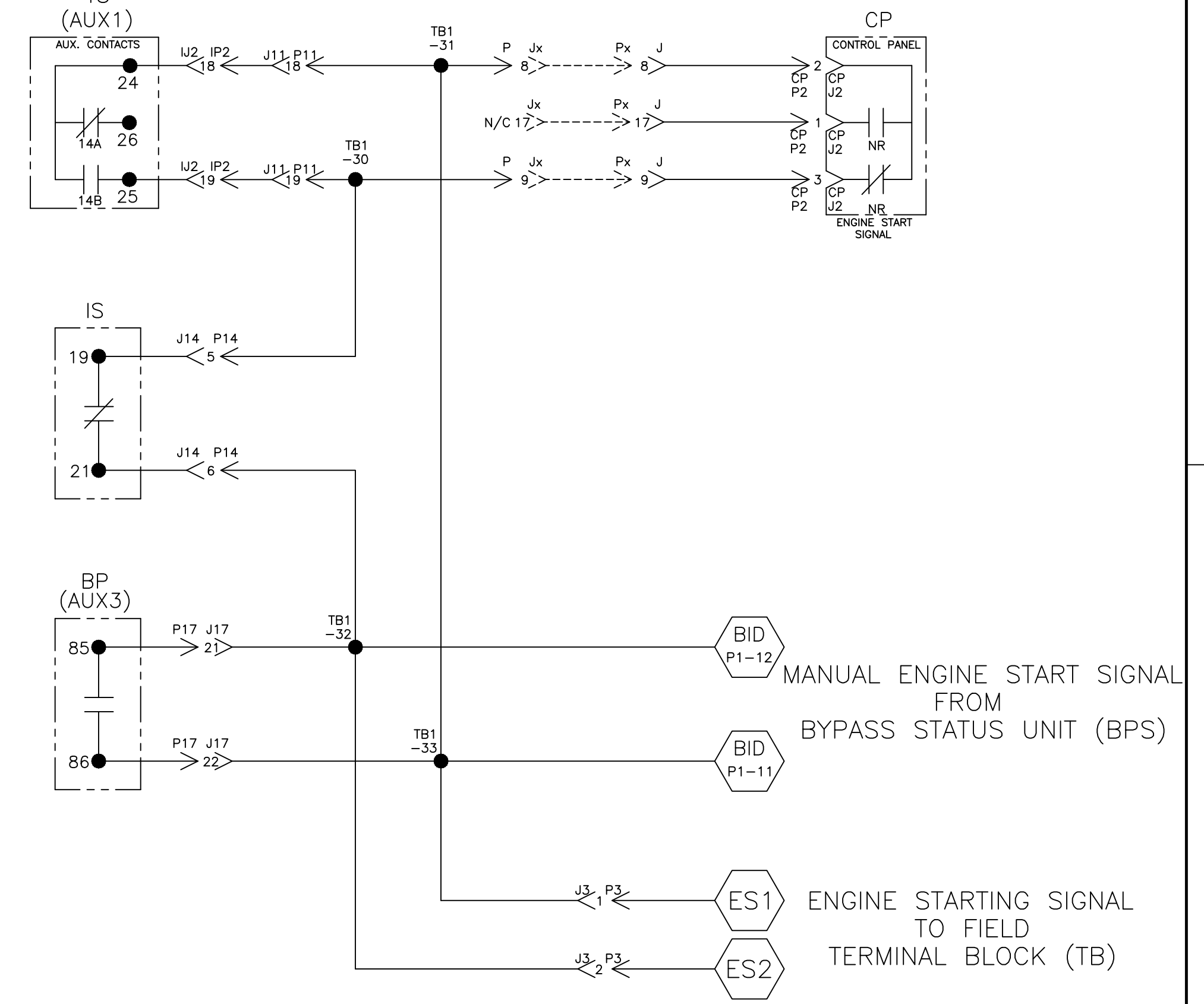
LOAD



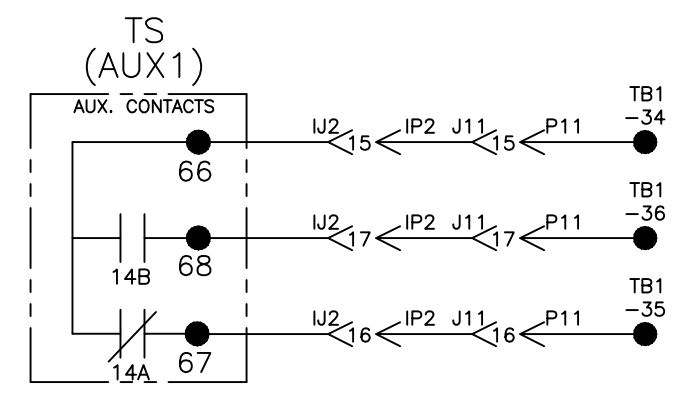
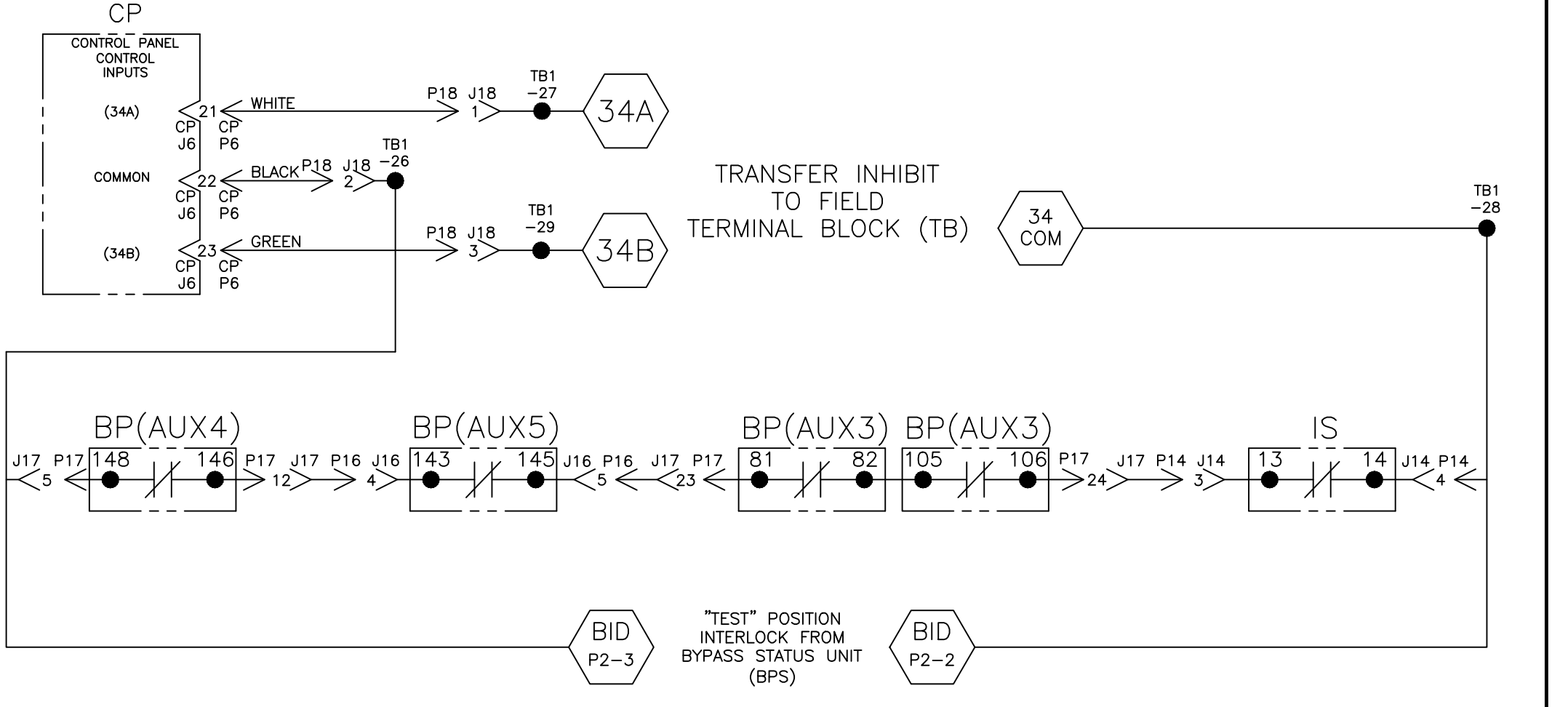
CONTROL SIGNALS & INDICATION



ENGINE START CIRCUIT



CONTROL PANEL/BYPASS-ISOLATION INTERLOCKS

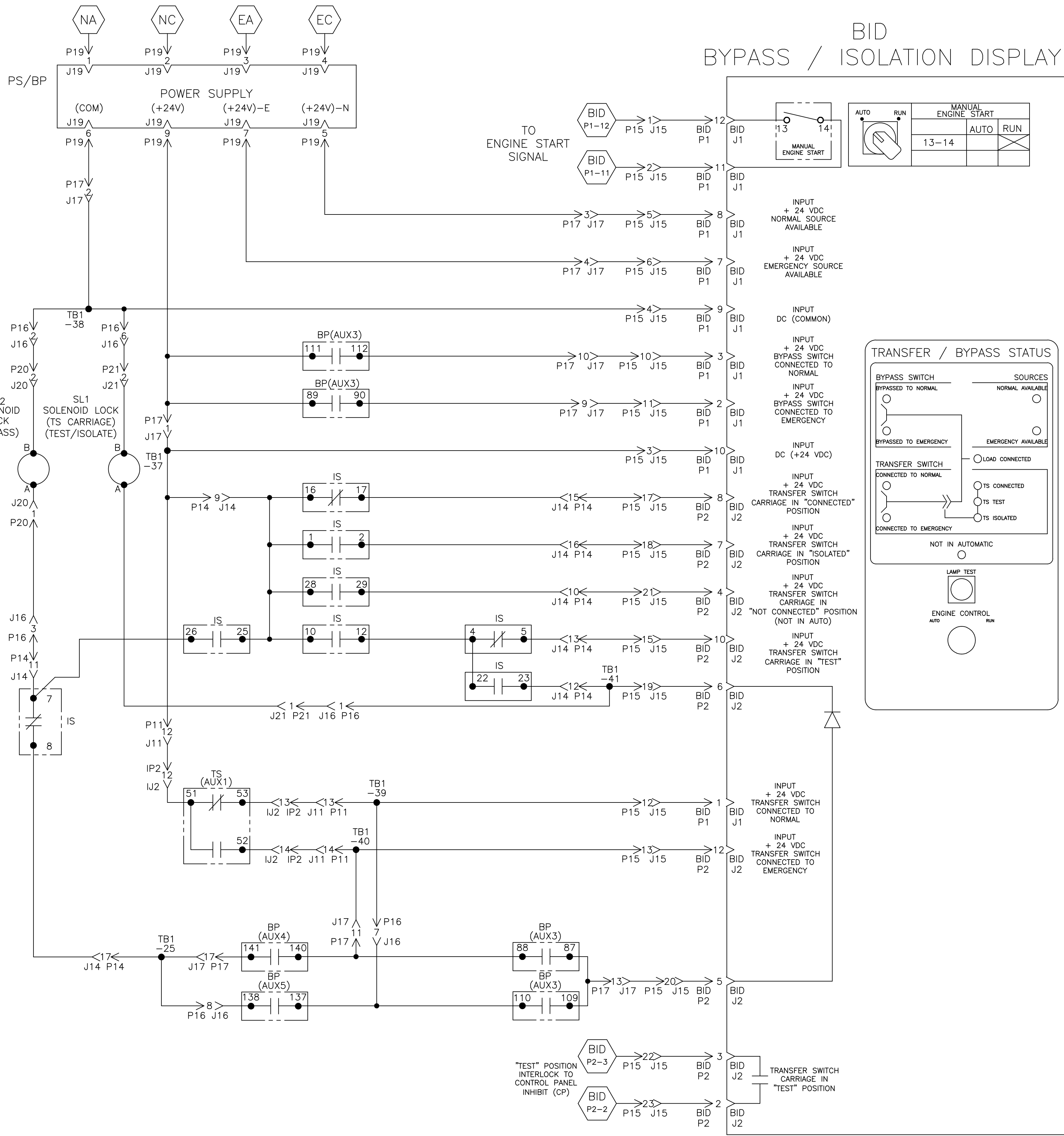


F	290905	AWK	HSL	08/18/21
	SEE ECN			
E	212251	MR	JPB	03/01/07
	SEE ECN			
D	211805	MR	JPB	01/26/07
	SEE ECN			
C	211529	MR	JPB	01/09/07
	SEE ECN			
B	211031	JPB	JPB	11/27/06
	SEE ECN			
A	210925	JPB	JPB	11/16/06
	SEE ECN			
-	210421	JPB	JPB	10/17/06
	ISSUE			
	REV. TO SHEET	ECN NO.	BY	APP.
				DATE

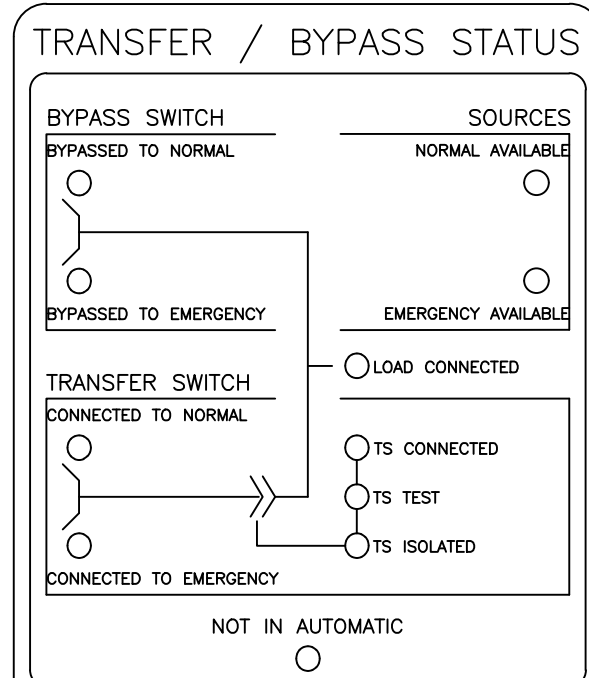
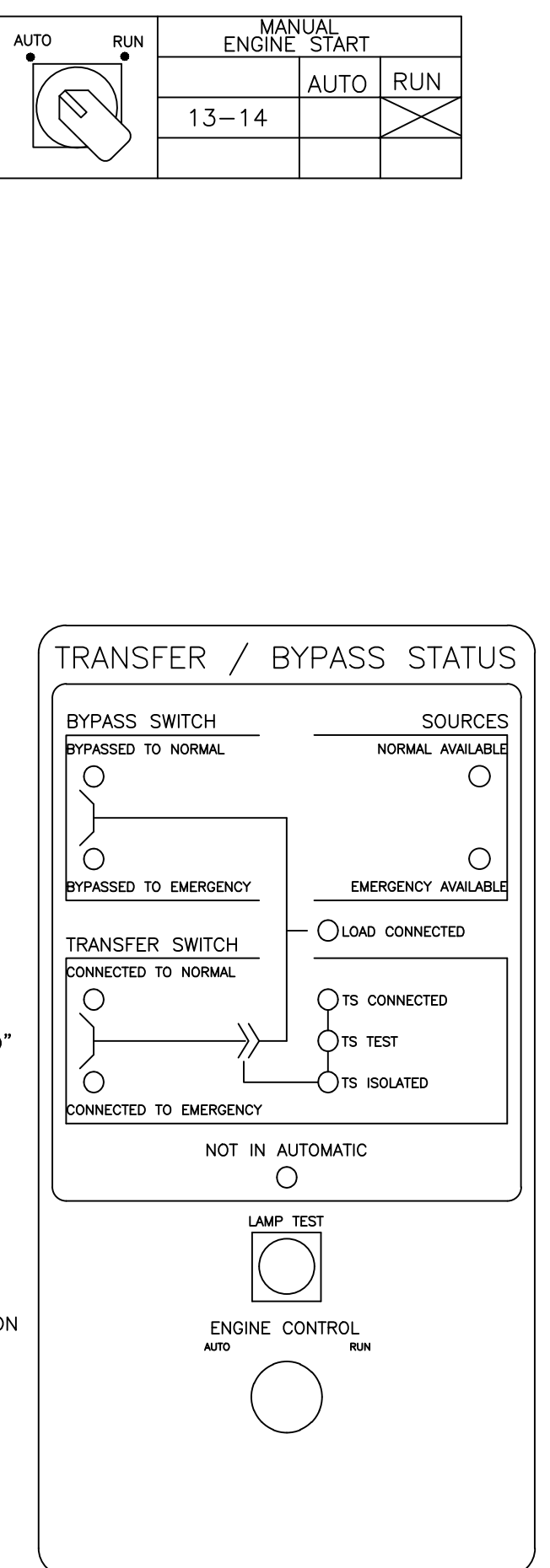
PROJECT NAME:		DIAGRAM	
7000 SERIES (J7ATB) 3PH 150-600 AMPS			
"J" FRAME, GROUP 5 CONTROLS			
BY	DATE	MANUFACTURING TOLERANCES TO BE IN ACCORDANCE WITH ASCO PROCEDURE MP-1-003. FOR PLASTIC PARTS SEE MP-1-055	ASSEM. REF. NO.
JPB	10/17/06		
CHECKED		PROPERTY OF ASCO POWER TECHNOLOGIES. USE PERMITTED FOR OUR WORK ONLY. ALL RIGHTS OF DESIGN OR INVENTION ARE RESERVED.	SCALE
PROJECT APPROVAL			NONE
FINAL APPROVAL			SIZE
			DS
			DWG. NO.
			806095
			DRAWING F
			REV.
			ECN NO. 290905
			SHEET 4 OF 8

BYPASS / ISOLATION INTERLOCKING & INDICATION

ADDITIONAL CIRCUITS



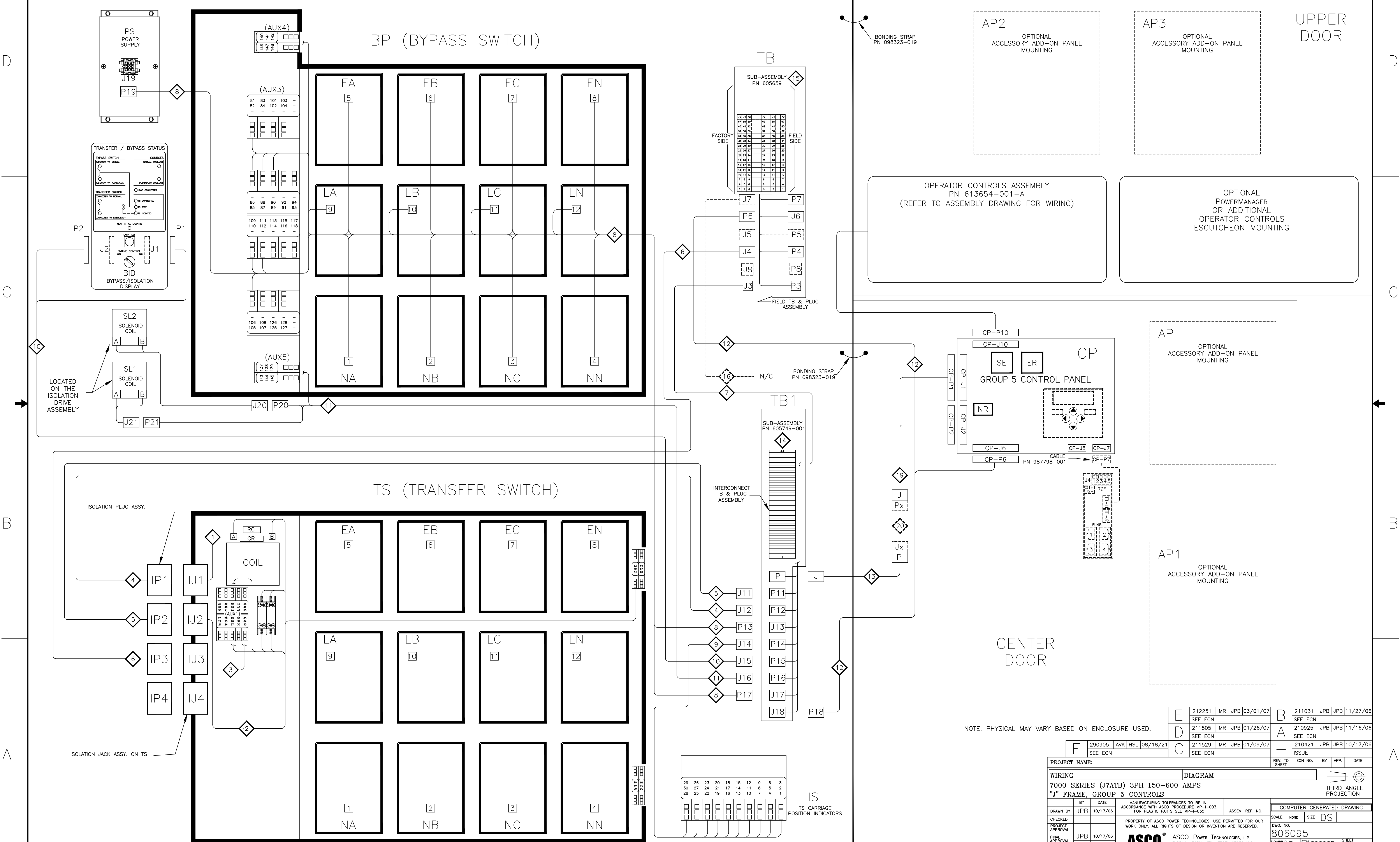
BID
BYPASS / ISOLATION DISPLAY



F	290905	AVK	HSL	08/18/21
E	212251	MR	JPB	03/01/07
D	211805	MR	JPB	01/26/07
C	211529	MR	JPB	01/09/07
B	211031	JPB	JPB	11/27/06
A	210925	JPB	JPB	11/16/06
-	210421	JPB	JPB	10/17/06
ISSUE				

PROJECT NAME:					REV. TO SHEET	ECN NO.	BY	APP.	DATE
WIRING DIAGRAM									
7000 SERIES (J7ATB) 3PH 150-600 AMPS									
"J" FRAME, GROUP 5 CONTROLS									
DRAWN BY	BY	DATE	MANUFACTURING TOLERANCES TO BE IN ACCORDANCE WITH ASCO PROCEDURE MP-1-003. FOR PLASTIC PARTS SEE MP-1-055		ASSEM. REF. NO.		COMPUTER GENERATED DRAWING		
CHECKED			PROPERTY OF ASCO POWER TECHNOLOGIES. USE PERMITTED FOR OUR WORK ONLY. ALL RIGHTS OF DESIGN OR INVENTION ARE RESERVED.				SCALE	NONE	SIZE DS
PROJECT APPROVAL							DWG. NO. 806095		
FINAL APPROVAL	JPB	10/17/06	ASCO POWER TECHNOLOGIES, LP.		FLORHAM PARK, NEW JERSEY 07932 U.S.A.		DRAWING REV. F	ECN NO. 290905	SHEET 5 OF 8

PHYSICAL DIAGRAM



NOTE: PHYSICAL MAY VARY BASED ON ENCLOSURE USED.

E	212251	MR	JPB	03/01/07	B	211031	JPB	JPB	11/27/06
	SEE ECN					SEE ECN			
D	211805	MR	JPB	01/26/07	A	210925	JPB	JPB	11/16/06
	SEE ECN					SEE ECN			
F	290905	AVK	HSL	08/18/21	C	211529	MR	JPB	01/09/07
	SEE ECN					ISSUE			

PROJECT NAME:		REV. TO SHEET	ECN NO.	BY	APP.	DATE
WIRING DIAGRAM						
7000 SERIES (J7ATB) 3PH 150-600 AMPS "J" FRAME, GROUP 5 CONTROLS		COMPUTER GENERATED DRAWING		SCALE NONE SIZE DS		
DRAWN BY	JPB	DATE	10/17/06	MANUFACTURING TOLERANCES TO BE IN ACCORDANCE WITH ASCO PROCEDURE MP-1-003. FOR PLASTIC PARTS SEE MP-1-055	ASSEM. REF. NO.	
CHECKED				PROPERTY OF ASCO POWER TECHNOLOGIES. USE PERMITTED FOR OUR WORK ONLY. ALL RIGHTS OF DESIGN OR INVENTION ARE RESERVED.		
PROJECT APPROVAL						
FINAL APPROVAL	JPB	DATE	10/17/06	ASCO	ASCO POWER TECHNOLOGIES, LP.	FLORHAM PARK, NEW JERSEY 07932 U.S.A.

WIRE RUN LISTING

HARNESS LOCATOR 4 HARNESS 605674-001 (J1) TS WIRE No. HARNESS 605674-001 (J1) TS CLR AWG 16

HARNESS LOCATOR 2 HARNESS 806064-001 (J2) TS WIRE No. HARNESS 806064-001 (J2) TS CLR AWG 16

HARNESS LOCATOR 5 HARNESS 605674-006-D (IP2,J11) STATIONARY FRAME WIRE No. HARNESS 605674-006-D (IP2,J11) STATIONARY FRAME CLR AWG 16

HARNESS LOCATOR 3 HARNESS 806064-002 (J3) TS STD. AUX. CONTACTS WIRE No. HARNESS 806064-002 (J3) TS STD. AUX. CONTACTS CLR AWG 16

HARNESS LOCATOR 6 HARNESS 605674-006-C (IP3,J4) STATIONARY FRAME WIRE No. HARNESS 605674-006-C (IP3,J4) STATIONARY FRAME CLR AWG 16

HARNESS LOCATOR 4 HARNESS 605674-006-D (IP1,J12) STATIONARY FRAME WIRE No. HARNESS 605674-006-D (IP1,J12) STATIONARY FRAME CLR AWG 16

HARNESS LOCATOR 8 HARNESS 806064-004 (P13, P17, P19, BP) BP WIRE No. HARNESS 806064-004 (P13, P17, P19, BP) BP CLR AWG 16

HARNESS LOCATOR 5 HARNESS 605674-006-D (IP2,J11) STATIONARY FRAME WIRE No. HARNESS 605674-006-D (IP2,J11) STATIONARY FRAME CLR AWG 16

HARNESS LOCATOR 3 HARNESS 806064-002 (J3) TS STD. AUX. CONTACTS WIRE No. HARNESS 806064-002 (J3) TS STD. AUX. CONTACTS CLR AWG 16

HARNESS LOCATOR 6 HARNESS 605674-006-C (IP3,J4) STATIONARY FRAME WIRE No. HARNESS 605674-006-C (IP3,J4) STATIONARY FRAME CLR AWG 16

HARNESS LOCATOR 9 HARNESS 806064-007 (J14,IS) ISOLATION AUX. CONTACTS WIRE No. HARNESS 806064-007 (J14,IS) ISOLATION AUX. CONTACTS CLR AWG 16

HARNESS LOCATOR 8 HARNESS 806064-004 (P13, P17, P19, BP) BP WIRE No. HARNESS 806064-004 (P13, P17, P19, BP) BP CLR AWG 16

HARNESS LOCATOR 10 HARNESS 736883 (J15, BID-P1, BID-P2) BYPASS ISOLATION DISPLAY WIRE No. HARNESS 736883 (J15, BID-P1, BID-P2) BYPASS ISOLATION DISPLAY CLR AWG 22

HARNESS LOCATOR 11 HARNESS 806064-006 (J16, P20, P21) BP/IS INTERLOCKS WIRE No. HARNESS 806064-006 (J16, P20, P21) BP/IS INTERLOCKS CLR AWG 16

HARNESS LOCATOR 13 HARNESS 309320-006 (P,J) CONTROL PANEL EXTENSION WIRE No. HARNESS 309320-006 (P,J) CONTROL PANEL EXTENSION CLR AWG 16

HARNESS LOCATOR 9 HARNESS 806064-007 (J14,IS) ISOLATION AUX. CONTACTS WIRE No. HARNESS 806064-007 (J14,IS) ISOLATION AUX. CONTACTS CLR AWG 16

HARNESS LOCATOR 8 HARNESS 806064-004 (P13, P17, P19, BP) BP WIRE No. HARNESS 806064-004 (P13, P17, P19, BP) BP CLR AWG 16

HARNESS LOCATOR 10 HARNESS 736883 (J15, BID-P1, BID-P2) BYPASS ISOLATION DISPLAY WIRE No. HARNESS 736883 (J15, BID-P1, BID-P2) BYPASS ISOLATION DISPLAY CLR AWG 22

HARNESS LOCATOR 11 HARNESS 806064-006 (J16, P20, P21) BP/IS INTERLOCKS WIRE No. HARNESS 806064-006 (J16, P20, P21) BP/IS INTERLOCKS CLR AWG 16

HARNESS LOCATOR 13 HARNESS 309320-006 (P,J) CONTROL PANEL EXTENSION WIRE No. HARNESS 309320-006 (P,J) CONTROL PANEL EXTENSION CLR AWG 16

HARNESS LOCATOR 12 HARNESS 736828-004 (P6,P18) INTERNAL CONTROL & FIELD INPUTS WIRE No. HARNESS 736828-004 (P6,P18) INTERNAL CONTROL & FIELD INPUTS CLR AWG 22 (4 COND)

HARNESS LOCATOR 12 HARNESS 736828-004 (P6,P18) INTERNAL CONTROL & FIELD INPUTS WIRE No. HARNESS 736828-004 (P6,P18) INTERNAL CONTROL & FIELD INPUTS CLR AWG 22 (2 COND)

HARNESS LOCATOR 12 HARNESS 736828-004 (P6,P18) INTERNAL CONTROL & FIELD INPUTS WIRE No. HARNESS 736828-004 (P6,P18) INTERNAL CONTROL & FIELD INPUTS CLR AWG 16

HARNESS LOCATOR 12 HARNESS 736828-004 (P6,P18) INTERNAL CONTROL & FIELD INPUTS WIRE No. HARNESS 736828-004 (P6,P18) INTERNAL CONTROL & FIELD INPUTS CLR AWG 22

HARNESS LOCATOR 12 HARNESS 736828-004 (P6,P18) INTERNAL CONTROL & FIELD INPUTS WIRE No. HARNESS 736828-004 (P6,P18) INTERNAL CONTROL & FIELD INPUTS CLR AWG 22

PROJECT NAME: WIRING DIAGRAM 7000 SERIES (J7ATB) 3PH 150-600 AMPS "J" FRAME, GROUP 5 CONTROLS. Includes revision table, drawing info, and manufacturer details for ASCO.

WIRE RUN LISTING

Table 1: HARNESS LOCATOR 14, SUB-ASSEMBLY 605749-001, MAIN INTERCONNECT ASSEMBLY. Lists wire numbers, sub-assemblies, and CLR values.

Table 2: HARNESS LOCATOR 14, SUB-ASSEMBLY 605749-001, MAIN INTERCONNECT ASSEMBLY (CONTINUED). Continuation of Table 1.

Table 3: HARNESS LOCATOR 15, SUB-ASSEMBLY 605659, STD. FIELD TB. Lists wire numbers, sub-assemblies, and CLR values.

Table 4: HARNESS LOCATOR 16, HARNESS 483763 (J,CP-P1,CP-P2) CONTROL PANEL. Lists wire numbers, harness, and CLR values.

Table 5: HARNESS LOCATOR 17, HARNESS 309320-005, OPTIONAL 8 IN. EXTENSION HARNESS. Lists wire numbers, harness, and CLR values.

Table 6: WIRE No., ADDITIONAL WIRING, CLR, AWG. Lists wire numbers, additional wiring descriptions, and wire specifications.

Table 7: WIRE No., ADDITIONAL WIRING, CLR, AWG. Continuation of Table 6.

Table 8: HARNESS LOCATOR 19, HARNESS 483763 (J,CP-P1,CP-P2) CONTROL PANEL. Lists wire numbers, harness, and CLR values.

PROJECT NAME: 7000 SERIES (J7ATB) 3PH 150-600 AMPS 'J' FRAME, GROUP 5 CONTROLS. Includes revision history, drawing information, and manufacturer details (ASCO).