

**GENERAL NOTES**

- FLOOR MOUNTED ENCLOSURE.  
TYPE 1 (C) CONSTRUCTED FROM CODE GAUGE STEEL.  
FINISH TYPE: ANSI 61 GRAY POLYESTER SEMI GLOSS ELECTROSTATIC POWDER.
- DOOR EQUIPPED WITH A KEY LOCKING HANDLE
- DESIGNED FOR FRONT & REAR ACCESS.
- RECOMMENDED CLEARANCES: FRONT: 40" [1016.00mm] REAR: 30" [762mm]
- CENTER OF GRAVITY
- APPROXIMATE SHIPPING WEIGHT: 1700 LB [771 KG].
- ACCESSORY 40, OPTIONAL SOURCE LOCATIONS IS AVAILABLE ON SERIES 7000 ONLY.

**TRANSFER SWITCH**

- H FRAME ISOLATION-BYPASS TRANSFER SWITCH.
- TRANSFER SWITCH RATING: 600 AMPS, 800 AMPS, 1000 AMPS, 1200 AMPS  
WITHSTAND AND CLOSING RATING WHEN PROTECTED BY A CIRCUIT BREAKER WITHOUT AN ADJUSTABLE SHORT TIME RESPONSE,  
MAXIMUM 0.05 SECONDS: 50,000 RMS SYM @ 240V, 480V, 600V.  
WITHSTAND AND CLOSING RATING WHEN PROTECTED BY A CIRCUIT BREAKER WITH AN ADJUSTABLE SHORT TIME RESPONSE,  
MAXIMUM 0.30 SECONDS: 36,000 RMS SYM @ 240V, 480V, 600V.
- A FULL RATED NEUTRAL CONNECTION FOR EACH SOURCE AND THE LOAD IS OPTIONAL. WHEN PROVIDED IT IS IN ONE OF THE FOLLOWING FORMATS.
  - SOLID NEUTRAL
  - SWITCHED NEUTRAL POLE
  - OVERLAPPING NEUTRAL POLE (NOT AVAILABLE ON ADTB & ACTB UNITS)
- UL 1008 OR CSA C22.2 No. 178.1

**TERMINATIONS 600A**

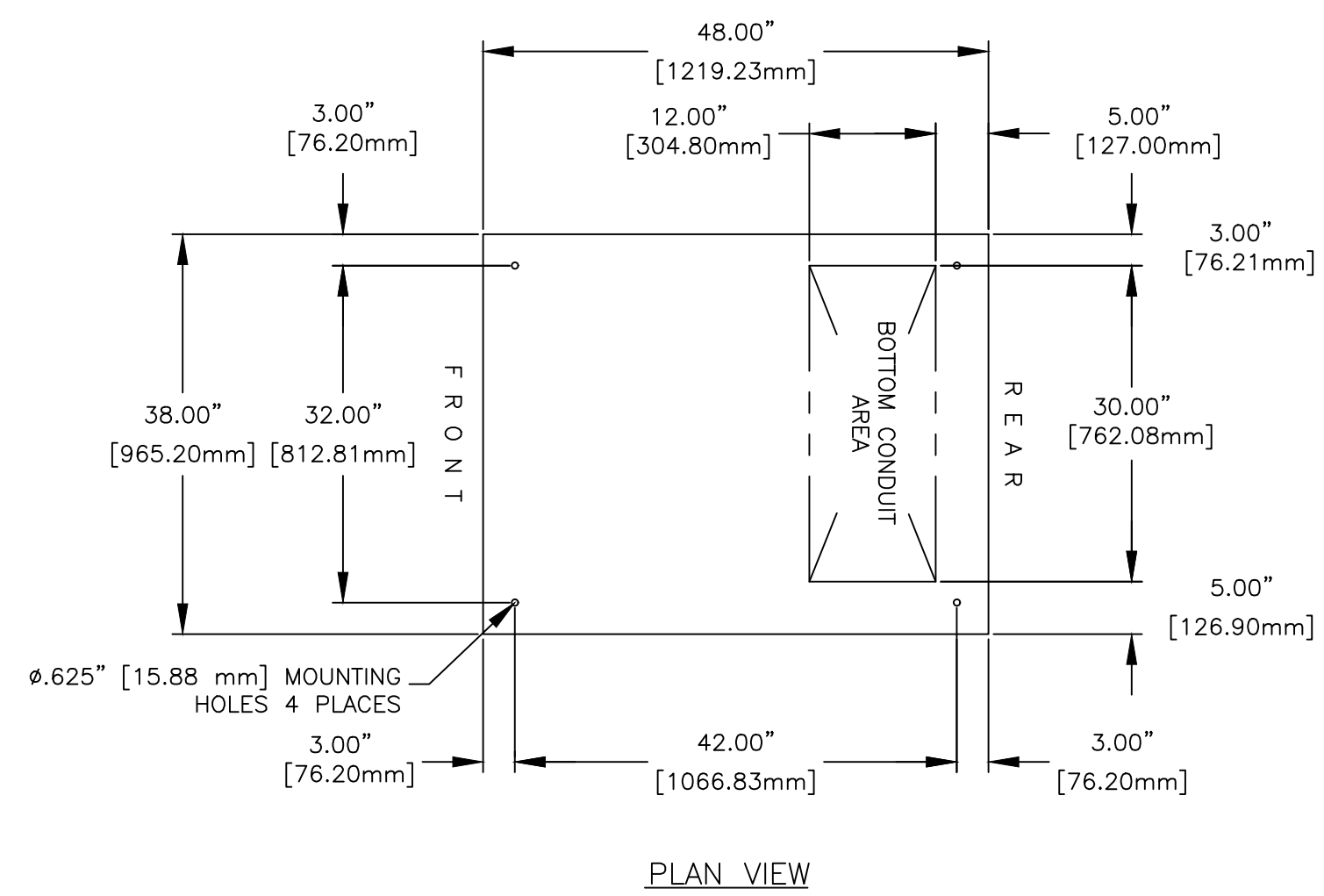
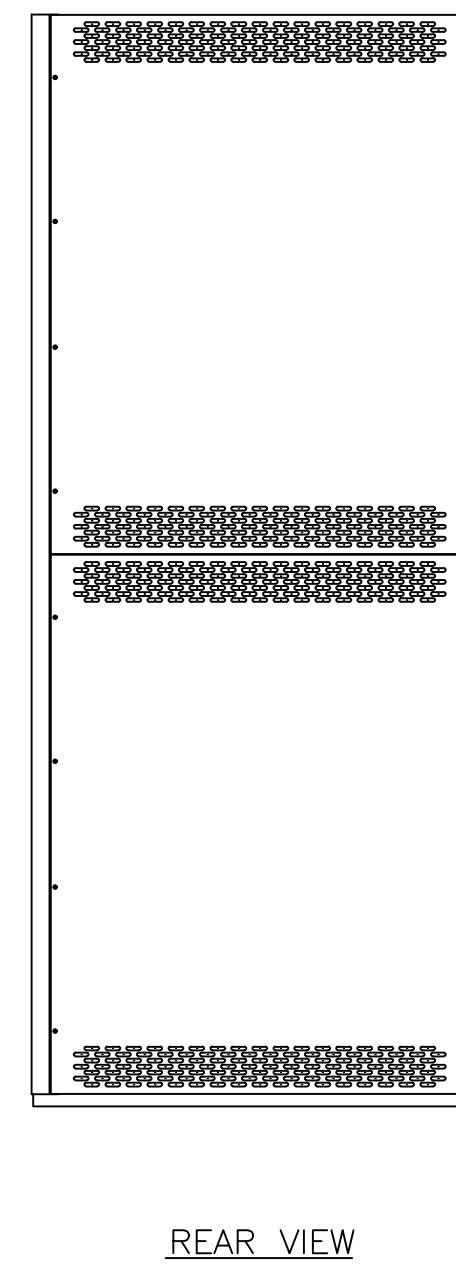
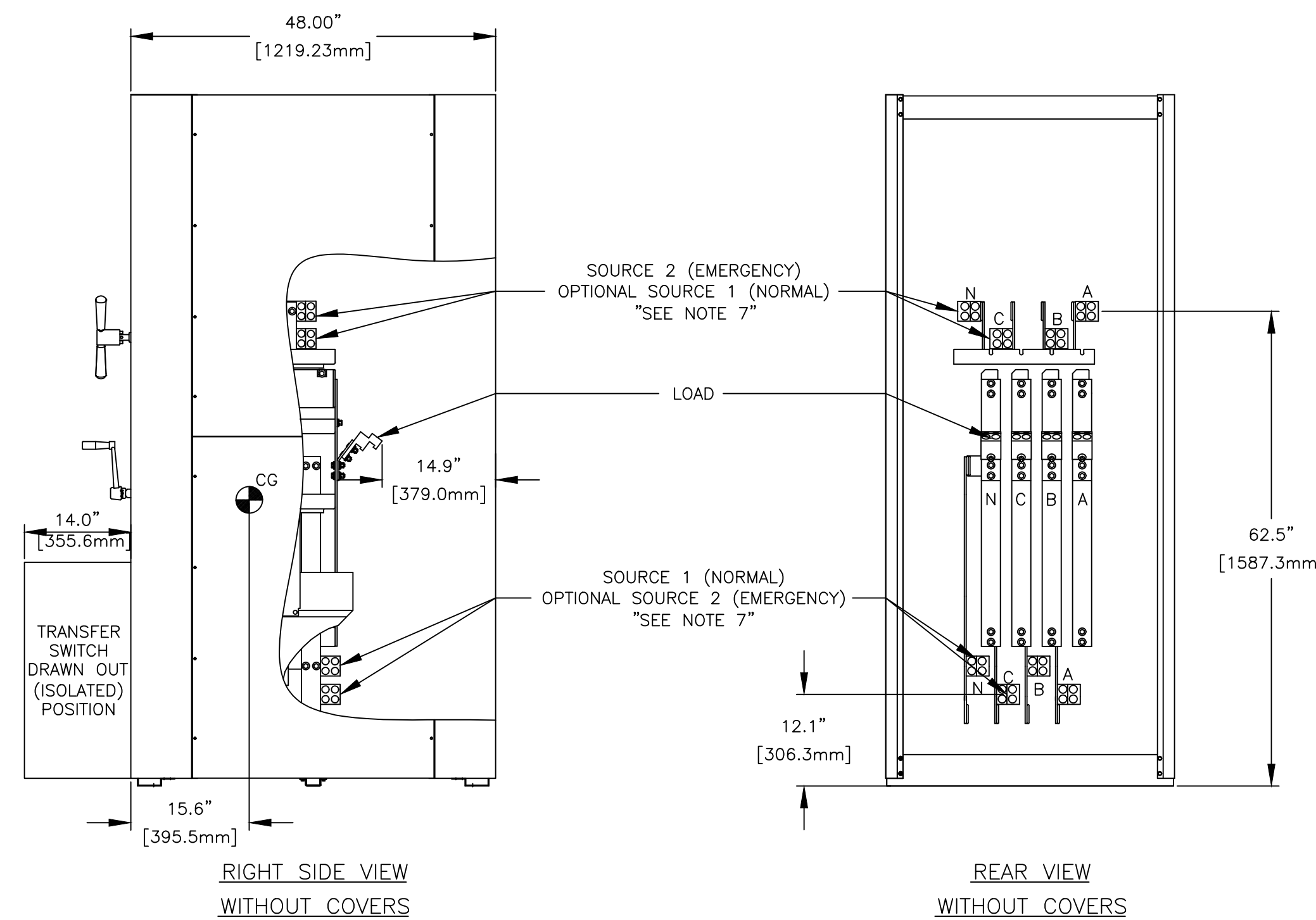
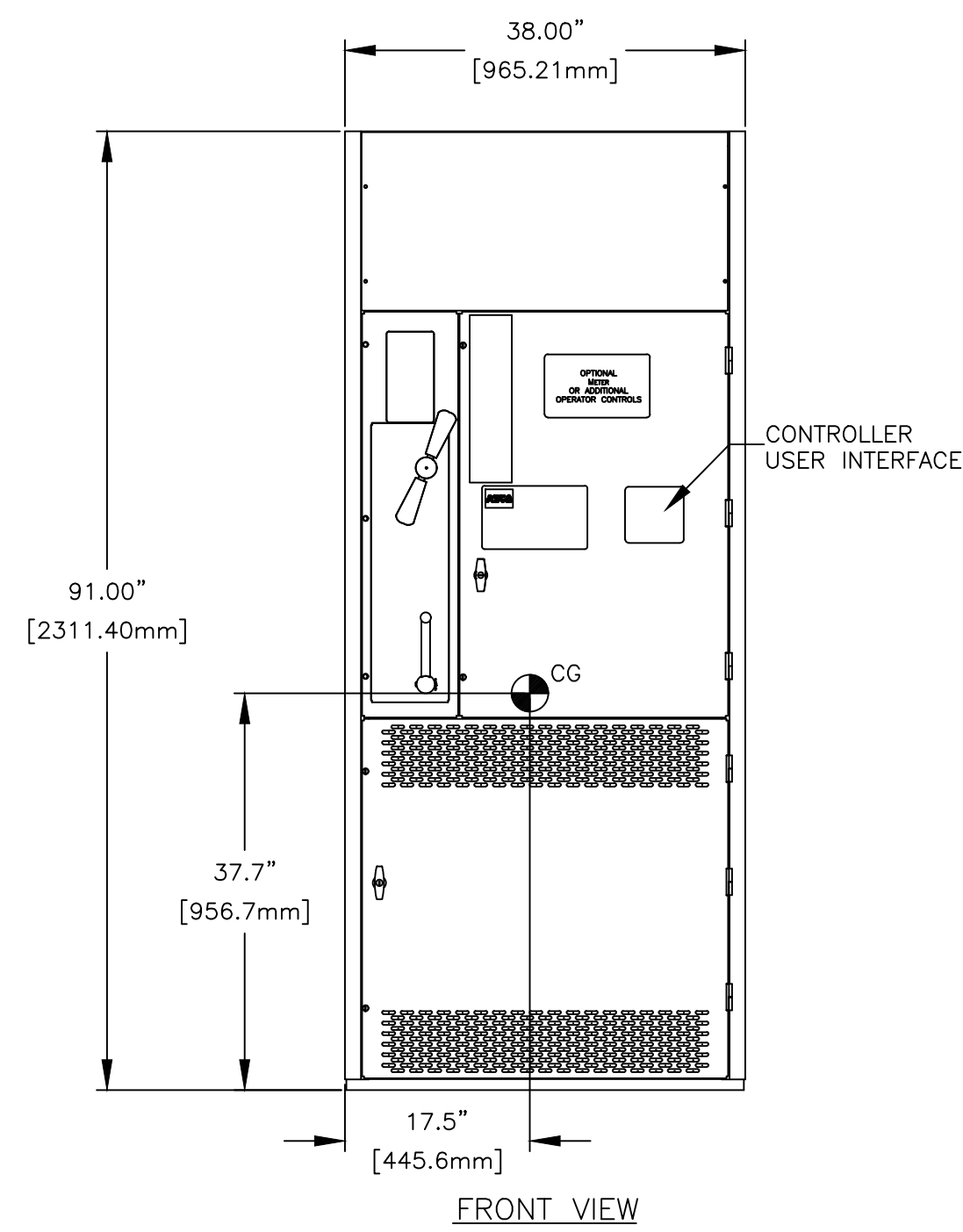
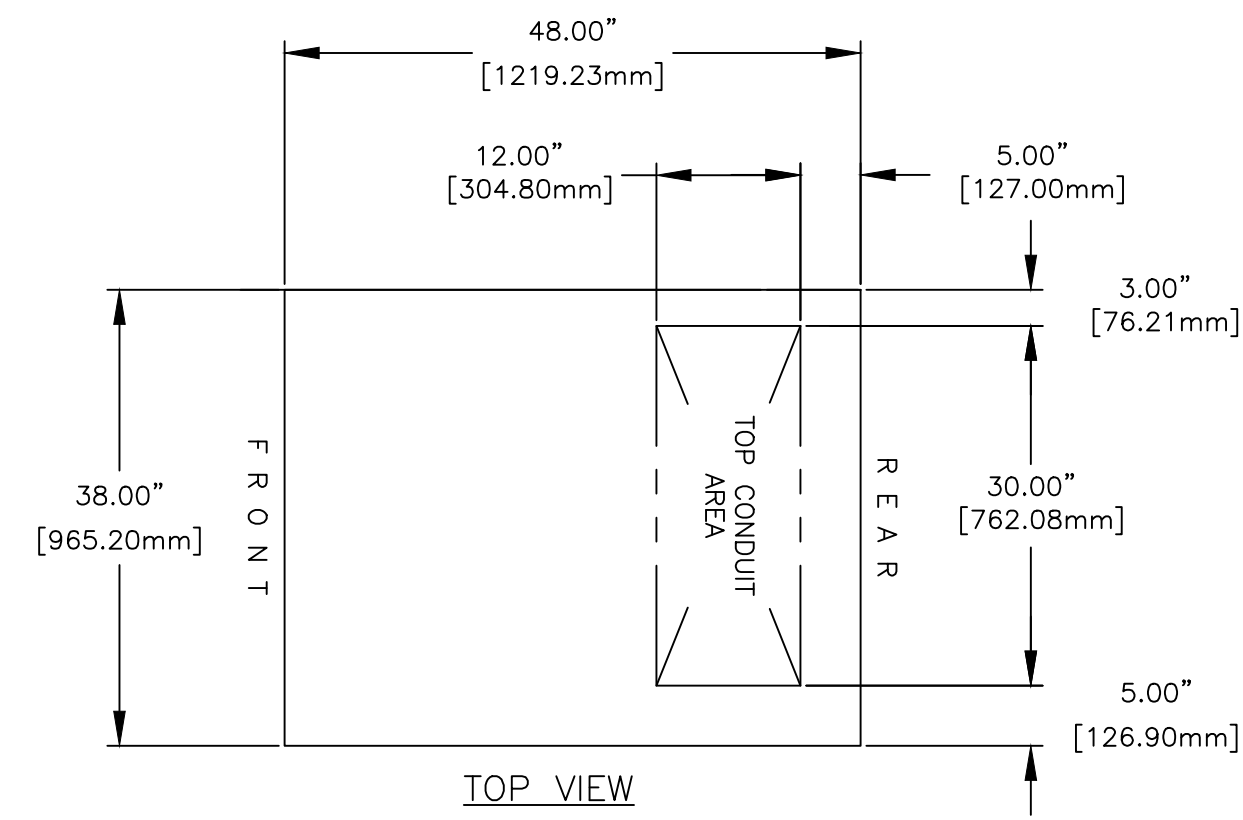
- MECHANICAL (SCREW TYPE) LUGS FOR CU/AL CABLE.  
SOURCE 1 (NORMAL): (2) 1/0-600MCM [50-300mm<sup>2</sup>] PER PHASE & NEUTRAL  
LOAD: (2) 1/0-600MCM [50-300mm<sup>2</sup>] PER PHASE & NEUTRAL  
SOURCE 2 (EMERGENCY): (2) 1/0-600MCM [50-300mm<sup>2</sup>] PER PHASE & NEUTRAL  
GROUND: (6) 1/0-600MCM [50-300mm<sup>2</sup>]  
A. SUITABLE WIRE BENDING SPACE IS PROVIDED AS PER NEC.
- SWITCH MAY BE SUPPLIED WITHOUT LUGS.
- OPTIONAL LUGS MAY BE SUPPLIED (MAY AFFECT ENCLOSURE SIZE).

**TERMINATIONS 800A-1200A**

- MECHANICAL (SCREW TYPE) LUGS FOR CU/AL CABLE.  
SOURCE 1 (NORMAL): (4) 1/0-600MCM [50-300mm<sup>2</sup>] PER PHASE & NEUTRAL  
LOAD: (4) 1/0-600MCM [50-300mm<sup>2</sup>] PER PHASE & NEUTRAL  
SOURCE 2 (EMERGENCY): (4) 1/0-600MCM [50-300mm<sup>2</sup>] PER PHASE & NEUTRAL  
GROUND: (12) 1/0-600MCM [50-300mm<sup>2</sup>]  
A. SUITABLE WIRE BENDING SPACE IS PROVIDED AS PER NEC.
- SWITCH MAY BE SUPPLIED WITHOUT LUGS.
- OPTIONAL LUGS MAY BE SUPPLIED (MAY AFFECT ENCLOSURE SIZE).

**WIRING/CABLING**

- USE 90°C MINIMUM CU/AL WIRE FOR POWER CABLES.
- WIRE SIZE TO BE BASED ON AMPACITY OF 75°C WIRE.
- USE 60°C MINIMUM CU WIRE FOR CONTROLS.



REV. TO SHEET	ECN NO.	BY	APP.	DATE
L	303561	SV		05-12-23
K	289897	TR	MM	06/14/21
PROJECT NAME: HATB 600A - 1200A				
TYPE 1 91 X 38 X 48				
DRAWN BY: SV		DATE: 05-12-23		MANUFACTURING TOLERANCES TO BE IN ACCORDANCE WITH ASCO PROCEDURE MP-1-003. FOR PLASTIC PARTS SEE MP-1-055
CHECKED:		PROJECT APPROVAL:		ASSEM. REF. NO.
FINAL APPROVAL:		ASCO POWER TECHNOLOGIES, L.P.		COMPUTER GENERATED DRAWING
SCALE: 1/16" = 1" SIZE DS		DWG. NO. 736939		DRAWING REV. L
ASCO POWER TECHNOLOGIES, L.P. FLORHAM PARK, NEW JERSEY 07932 U.S.A.		SHEET 1 OF 1		ECN NO. 303561