

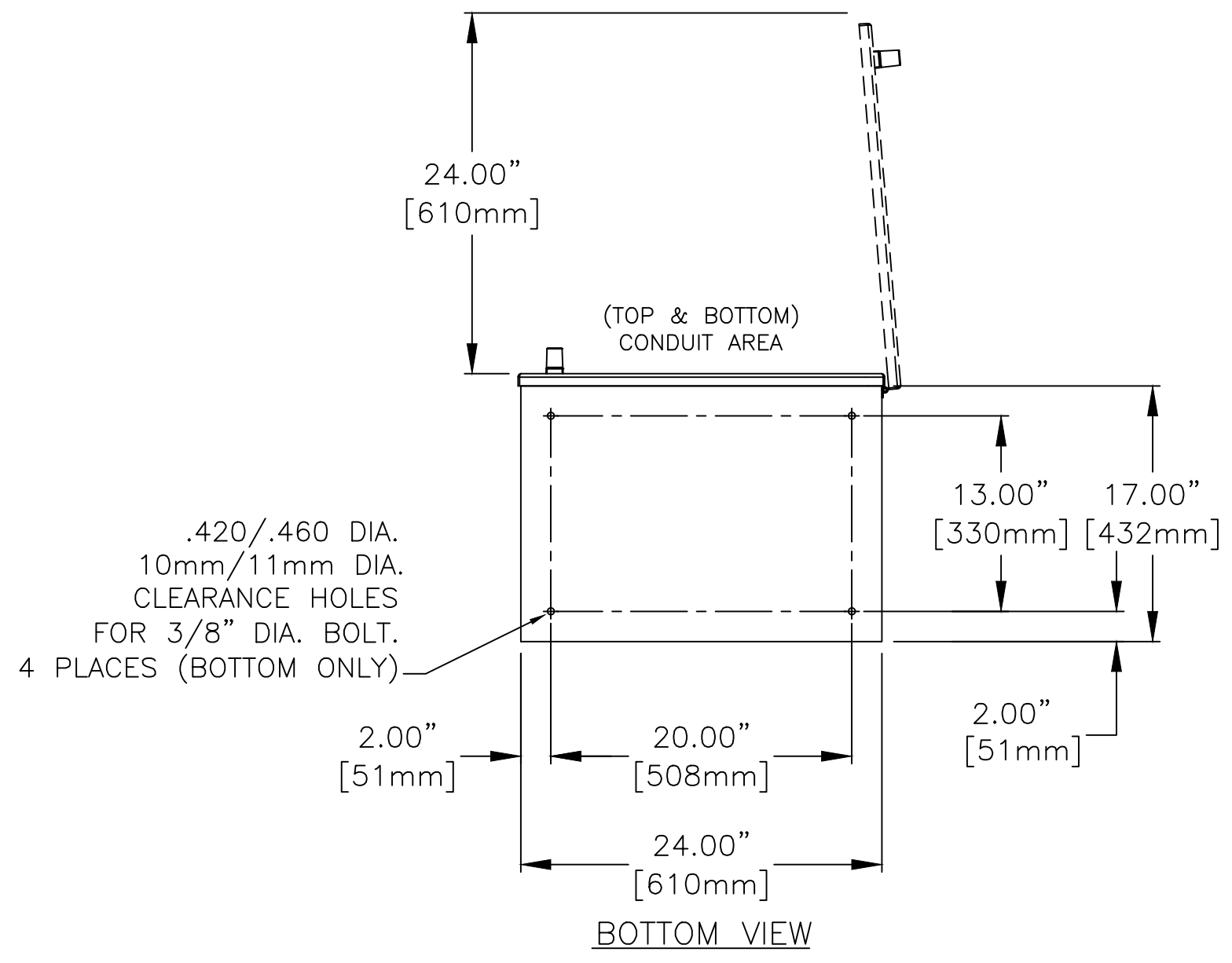
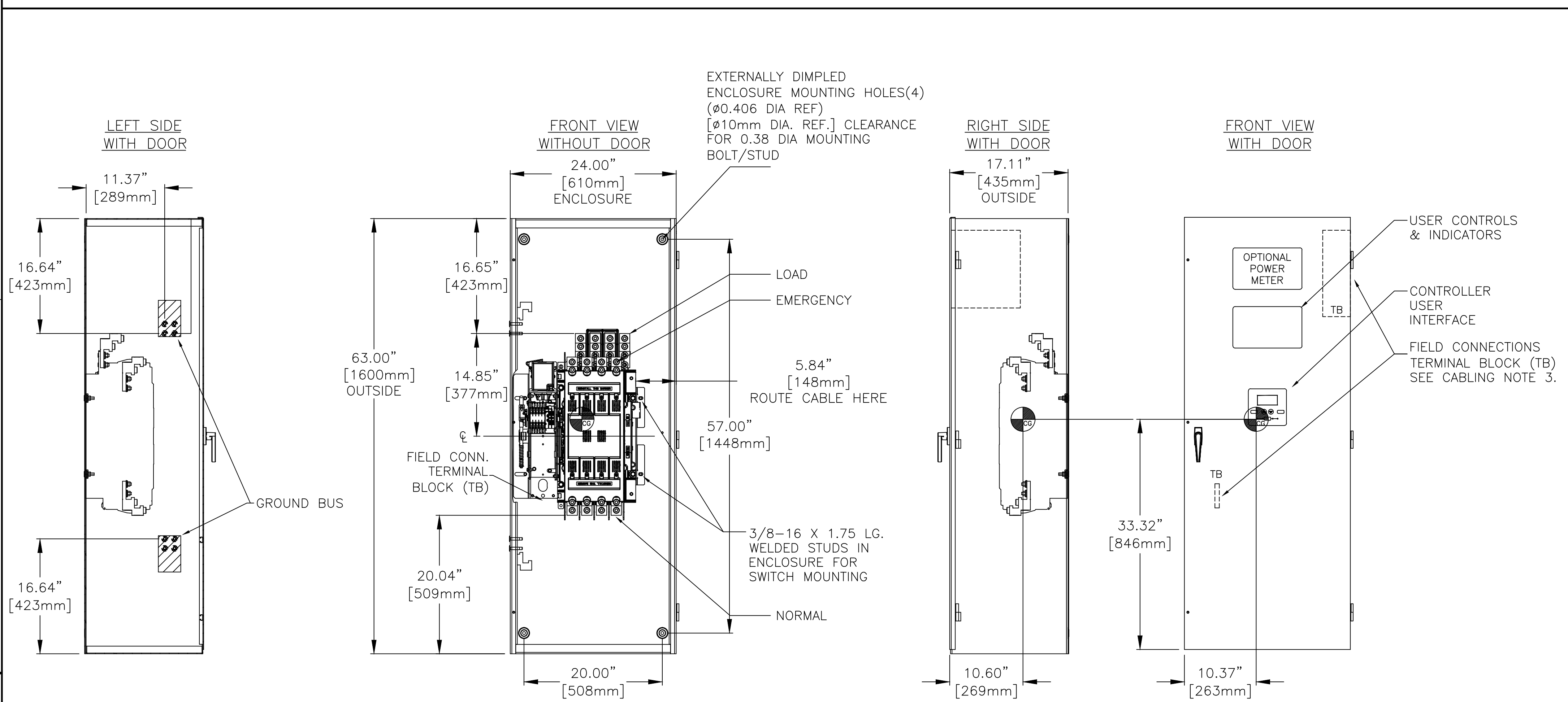
OUTLINE FOR ASCO® 300 SERIES 600 AMPERE "J" FRAME (J3ATS, J3NTS, J3ADTS, J3NDTS) FRONT CONNECTED TRANSFER SWITCHES TYPE 1 ENCLOSURE

D

C

B

A



- ### GENERAL NOTES
- TYPE 1 ENCLOSURE. FREE STANDING. FLOOR MOUNTED OR WALL MOUNTED. 12 GAUGE CONSTRUCTION.
 - NEC STANDARD GAUGE PAN TYPE DOOR WITH LOCKABLE HANDLE.
 - FINISH: ANSI 61 GRAY, POLYESTER POWDER STANDARD. OTHER ANSI COLORS AVAILABLE CONSULT FACTORY UL RECOGNIZED.
 - RECOMMENDED CLEARANCES:
FRONT: 24.00" [610mm]
 - A 20% RATED GROUND BUS IS PROVIDED.
 - UNIT IS DESIGNED FOR COMBINATION TOP AND BOTTOM CABLE ENTRY.
 - A FULL RATED NEUTRAL CONNECTION FOR EACH SOURCE AND THE LOAD IS OPTIONAL. WHEN PROVIDED IT IS IN ONE OF THE FOLLOWING FORMATS AS SPECIFIED BY THE CATALOG NO. NEUTRAL TYPE;
 - SOLID (COPPER BUS) NEUTRAL
 - SWITCHED NEUTRAL POLE
 - CENTER OF GRAVITY.

- ### CABLING NOTES
- ALL SIZES SUPPLIED STANDARD WITH MECHANICAL (SCREW TYPE) LUGS. (SEE AMP SIZE BELOW)
 - LUG MATERIAL: ALUMINUM ALLOY 6061-T6 WITH ELECTRO TIN PLATED FINISH.
 - SCREW MATERIAL: ALUMINUM ALLOY 6262-T9 WITH ELECTRO TIN PLATED FINISH.
 - UL LISTED. CSA CERTIFIED.
 - LUG SCREW TIGHTENING TORQUE PER UL 486B: 19 FT-LBS.
 - SUITABLE WIRE BENDING SPACE IS PROVIDED. (SEE AMP SIZE BELOW)
 - GROUND LUGS ARE PROVIDED STANDARD AS FOLLOWS. (SEE AMP SIZE BELOW),
 - CUSTOMER TERMINAL BLOCKS:
FOR ALL 300 SERIES 3ADTS, 3NDTS UNITS THE TB WILL BE MOUNTED ON THE UPPER RIGHT INSIDE OF ENCLOSURE. FOR 3ATS AND 3NTS UNITS TB WILL BE MOUNTED ON THE TRANSFER SWITCH FRAME AS INDICATED.

- ### NOTES 600 AMP SWITCHES
- SUPPLIED WITH STANDARD MECHANICAL (SCREW TYPE) LUGS ON THE NORMAL, EMERGENCY & LOAD BUS STABS. ONE (1) LUG PER PHASE AND NEUTRAL EACH SUITABLE FOR CONNECTION OF TWO (2) #2 -600MCM CU/AL CABLES.
 - SUITABLE WIRE BENDING SPACE IS PROVIDED FOR UP TO TWO (2) 600MCM CABLE PER TERMINAL PER NEC.
 - GROUND LUGS ARE PROVIDED STANDARD AS FOLLOWS;
SIX (6) #2 -600MCM CU/AL CABLE CONNECTIONS.

C	289439	TR	NS	05/07/21
B	250619	TR	BK	
A	246848	TR	BK	2/20/14
-	245094	BWM	SDH	10/28/13
				ISSUED

PROJECT NAME:		REV. TO SHEET	ECN NO.	BY	APP.	DATE
COMPOSITE OUTLINE						
300 SERIES TS "J"						
600 AMP TS TYPE 1						
BY	DATE	MANUFACTURING TOLERANCES TO BE IN ACCORDANCE WITH ASCO PROCEDURE MP-1-003. FOR PLASTIC PARTS SEE MP-1-005		ASSEM. REF. NO.	COMPUTER GENERATED DRAWING	
DRAWN BY	BWM	10/28/13			SCALE	SIZE DS
CHECKED			PROPERTY OF ASCO POWER TECHNOLOGIES. USE PERMITTED FOR OUR WORK ONLY. ALL RIGHTS OF DESIGN OR INVENTION ARE RESERVED.		DWG. NO.	
PROJECT APPROVAL					1001393-001	
FINAL APPROVAL	SDH	10/28/13			DRAWING C	REV. 1 OF 1
		ASCO ASCO POWER TECHNOLOGIES, L.P.		FLORHAM PARK, NEW JERSEY 07932 U.S.A.		