

Operator Manual

Transfer Switch

40-4000 Amps

OTPCA (Spec A)
OTPCB (Spec A)
OTPCC (Spec A)
OTPCD (Spec A)
OTPCE (Spec A-C)
OTPCF (Spec A-C)
OTPCG (Spec A-C)
OTPCH (Spec A-C)
OTPCJ (Spec A-B)

Table of Contents

1. SAFETY PRECAUTIONS	1
1.1 Electrical Shock and Arc Flash Can Cause Severe Personal Injury or Death	1
1.2 General Precautions	1
2. INTRODUCTION.....	3
2.1 Operator Manual	3
2.2 How to Obtain Service	3
2.3 Model Identification	3
2.4 Transfer Switch Application	4
2.5 Specifications.....	5
2.5.1 Model OTPC	5
2.6 Automatic Transfer Switch Typical Function.....	6
2.6.1 Open Transition with Sync Check.....	6
2.6.2 Programmed Transition.....	6
2.6.3 Closed Transition	6
2.7 Utility-to-Generator Set Operation	6
2.8 Utility-to-Utility Operation	6
2.9 Generator-to-Generator Operation	7
2.9.1 Prime Power (Plant-to-Plant) Operation	8
2.9.2 Dual Stand-By Operation	9
2.10 Control Level 1 and Level 2.....	10
3. DESCRIPTION.....	13
3.1 Cabinet.....	13
3.2 Protective Relay	13
3.3 Transfer Switch Components.....	16
3.3.1 Contact Assemblies	16
3.3.2 Linear Actuator.....	16
3.3.3 Motor Disconnect Switch (150-1000 Amp Switches).....	17
3.3.4 Motor Disconnect Switch (1200-4000 Amp Switches).....	17
3.3.5 Auxiliary Contacts	17
3.4 Electronic Control System.....	17
3.4.1 Time Delays	18
3.4.2 System Sensors	20
3.4.3 Transfer Modes	25
3.4.4 Front Panel Test - Sequence of Events.....	31
3.5 Options.....	41
3.5.1 Battery Charger Options	41
3.5.2 PowerCommand Network Interface Option	49
3.5.3 Load Sequencing Option	53
3.5.4 Load Current and Power Sensor Option.....	53
3.5.5 Source 1 and Source 2 Connected Relays.....	54

3.5.6 Source 1 and Source 2 Available Relays	54
3.5.7 Test or Exercise Active Relay	54
3.5.8 Load Shed Relay	54
3.5.9 Fail to Transfer/Retransfer Relay	54
3.5.10 Fail to Synchronize Relay	54
3.5.11 Fail to Disconnect Relay	54
3.5.12 Elevator Pre-Transfer Delay Relay	54
3.5.13 Not-in-Auto Relay	55
3.6 Control Panel (PowerCommand Control)	55
3.6.1 Bar Graph Meter Panel	55
3.6.2 Switch Panel	55
3.6.3 Digital Display	57
3.6.4 Time Delay Glossary	58
4. OPERATION	61
4.1 Manual Operation	61
4.1.1 Manual Operation - 40 to 1000 Amp Switches	61
4.1.2 Manual Operation - 1200 to 4000 Amp Switches	61
4.2 Automatic Operation	63
4.2.1 Motor Disconnect Switch	63
4.3 System Testing	64
4.3.1 Generator Set Manual Start Test	64
4.3.2 With-Load Standby System Test	64
4.4 Generator Set Exercise	64
4.5 Planned Maintenance	65
5. DIGITAL DISPLAY MENU SYSTEM	67
5.1 Main Menus	67
5.2 Password and Setup Menus	67
5.3 Navigation	67
5.4 Main Menu Descriptions	68
5.4.1 First Main Menu	68
5.4.2 Second Main Menu	70
5.4.3 Third Main Menu	71
5.4.4 Setup Menu Navigation and Description	73
6. WIRING CONSIDERATIONS FOR CLOSED TRANSITION SWITCHES	85
6.1 Application Considerations for Closed Transition Transfer Switches	85
6.2 Re-transfer and transfer inhibit functions	85
6.3 Fail to disconnect	87
7. TROUBLESHOOTING	89
7.1 Control Module LED Indicators and Switch	89
7.2 Fault Flash-Out	90
7.3 Exerciser Enable/Disable Switch	90
7.4 Troubleshooting Transfer Switch With the Digital Display	90
7.4.1 Fault Events	91

7.5 Fault Event Definitions	92
7.5.1 Controller Checksum Error	92
7.5.2 Low Controller Battery	92
7.5.3 ATS Fail to Close: Transfer	92
7.5.4 ATS Fail to Close: Re-Transfer	92
7.5.5 Battery Charger Malfunction	92
7.5.6 Network Battery Low	92
7.5.7 Network Communications Error	92
7.6 15/12-Amp Battery Charger Troubleshooting and Faults	93
7.6.1 Clearing Faults	93
7.6.2 Fault Alarm Output Connector	93
7.7 Code 101 - Source 1 Connected (Event)	93
7.8 Code 102 - Source 1 Available (Event)	94
7.9 Code 103 - Source 2 Connected (Event)	94
7.10 Code 104 - Source 2 Available (Event)	94
7.11 Code 105 - Emergency Start A (Event)	95
7.12 Code 106 - Test Start A (Event)	95
7.13 Code 107 - Emergency Start B (Event)	96
7.14 Code 108 - Test Start B (Event)	96
7.15 Code 109 - Time Delay Engine Start A (Event)	97
7.16 Code 111 - Time Delay Engine Start B (Event)	97
7.17 Code 112 - Time Delay Transfer (Event)	98
7.18 Code 113 - Time Delay Retransfer (Event)	98
7.19 Code 114 - Engine Cool-Down A (Event)	99
7.20 Code 115 - Program Transition (Event)	99
7.21 Code 116 - Transfer Pending (Event)	100
7.22 Code 117 - Test in Progress (Event)	100
7.23 Code 118 - Exercise Active (Event)	101
7.24 Code 119 - Sync Check (Event)	101
7.25 Code 121 - S1 Under Voltage (Event)	101
7.26 Code 122 - S1 Over Voltage (Event)	102
7.27 Code 123 - S1 Frequency Fail (Event)	102
7.28 Code 124 - S1 Loss Phase (Event)	103
7.29 Code 125 - S1 Imbalance Fail (Event)	103
7.30 Code 126 - S2 Under Voltage (Event)	103
7.31 Code 127 - S2 Over Voltage (Event)	104
7.32 Code 128 - S2 Frequency Fail (Event)	104
7.33 Code 129 - S2 Loss Phase (Event)	105
7.34 Code 131 - S2 Imbalance Fail (Event)	105
7.35 Code 132 - Phase Rotation Failure (Event)	105
7.36 Code 133 - Motor Disconnect (Event)	106
7.37 Code 134 - Load Shed (Event)	106
7.38 Code 135 - Transfer Inhibit (Event)	107
7.39 Code 136 - Retransfer Inhibit (Event)	107
7.40 Code 137 - Bypassed to S1 (Event)	107
7.41 Code 138 - Bypassed to S2 (Event)	108

7.42 Code 139 - Not in Auto (Fault).....	108
7.43 Code 141 - Service Tool (Event)	109
7.44 Code 143 - Sync Enable (Event).....	109
7.45 Code 144 - Speed Adjust (Event).....	110
7.46 Code 145 - Fail to Sync (Event)	110
7.47 Code 146 - Sequencer Output 1-8 (Event).....	111
7.48 Code 155 - Network Wink (Event).....	111
7.49 Code 156 - Common Alarm A (Event).....	111
7.50 Code 157 - Common Alarm B (Event).....	112
7.51 Code 158 - Loss of Power (Event)	112
7.52 Code 159 - TD Stop B (Event).....	113
7.53 Code 161 - High Neutral Amps (Event).....	113
7.54 Code 162 - Preferred Source 1 (Event).....	113
7.55 Code 163 - Preferred Source 2 (Event).....	114
7.56 Code 164 - Source 1 Stopped (Event)	114
7.57 Code 165 - Source 2 Stopped (Event)	114
7.58 Code 167 - Control Lockout (Event).....	115
7.59 Code 168 - Panel Lock (Event)	115
7.60 Code 169 - Max Parallel Time Exceeded (Event)	116
7.61 Code 441 - Low Controller Battery (Event).....	116
7.62 Code 597 - Battery Charger Malfunction (Fault).....	116
7.63 Code 1113 - ATS Fail to Close: Transfer (Fault).....	117
7.64 Code 1114 - ATS Fail to Close: RE-Transfer (Fault).....	117
7.65 Code 1121 - ATS Fail to Disconnect (Fault).....	118
7.66 Code 1452 - Fail to Close S2 (Fault).....	119
7.67 Code 1453 - Failed to Open S2 (Fault)	119
7.68 Code 1468 - Network Communications Error (Fault)	119
7.69 Code 2396 - Failed to Close S1 (Fault).....	120
7.70 Code 2397 - Fail to Open S1 (Fault)	120

1 Safety Precautions

This manual includes the following symbols to indicate potentially dangerous conditions. Read the manual carefully and know when these conditions exist. Then, take the necessary steps to protect personnel and the equipment.

DANGER

This symbol warns of immediate hazards that will result in severe personal injury or death.

WARNING

This symbol refers to a hazard or unsafe practice that can result in severe personal injury or death.

CAUTION

This symbol refers to a hazard or unsafe practice that can result in personal injury or product or property damage.

1.1 Electrical Shock and Arc Flash Can Cause Severe Personal Injury or Death

High voltage in transfer switch components presents serious shock hazards that can result in severe personal injury or death. Read and follow these suggestions:

- The operator must always keep the transfer switch enclosure closed and locked.
- Make sure only authorized personnel have the enclosure keys.
- All service and adjustments to the transfer switch must be performed only by an electrician or authorized service representative.

NOTICE

For transfer switches with closed transition capability, approval to parallel with the local electric utility must be obtained.

1.2 General Precautions

Refer to NFPA 70E Standard for Electrical Safety in the Workplace to be sure the proper personal protective equipment (PPE) is worn around this product.

Follow these guidelines while working on or around electrical equipment.

- Place rubber insulated mats on dry wood platforms over metal or concrete floors when working on any electrical equipment.
- Do not wear damp clothing (particularly wet shoes) or allow skin surfaces to be damp when handling any electrical equipment.
- Remove all jewelry when working on electrical equipment.
- Wear safety glasses whenever servicing the transfer switch.

- Do not smoke near the batteries.
- Do not work on this equipment when mentally or physically fatigued, or after consuming alcohol or any drug that makes the operation of equipment unsafe.

 WARNING

Incorrect service or replacement of parts can result in death, severe personal injury, and/or equipment damage. Service personnel must be qualified to perform electrical and/or mechanical service.

2 Introduction

2.1 Operator Manual

This manual covers models produced under the Cummins® and Cummins Inc. brand names.

The information contained within the manual is based on information available at the time of going to print. In line with Cummins Inc. policy of continuous development and improvement, information may change at any time without notice. The users should therefore make sure that before commencing any work, they have the latest information available. The latest version of this manual is available on QuickServe Online (<https://qsol.cummins.com/info/index.html>).

This Operator Manual provides information necessary for the operation of the transfer switch(es) identified on the cover of this manual. The transition capabilities of the transfer switch(es) are identified in the following sections.

2.2 How to Obtain Service

When the transfer switch requires servicing, contact your nearest Cummins Inc. distributor. Factory-trained Parts and Service representatives are ready to handle all of your service needs.

To contact your local Cummins Inc. distributor in the United States or Canada:

- Call 1-800-CUMMINS™ (this automated service utilizes touch-tone phones only).
- Select Option 1 (press 1) and you will be automatically connected to the distributor nearest you.

If you are unable to contact a distributor using the automated service, consult the Yellow Pages. Typically, distributors are listed under one of the following:

- Generators-Electric
- Engines-Gasoline
- Engines-Diesel
- Recreational Vehicles-Equipment
- Parts and Service

For outside U.S. and Canada:

Refer to www.cummins.com/support and select Distributor Locator, or send an email to ask.powergen@cummins.com.

When contacting your distributor, always supply the complete model, specification and serial number as shown on the generator set nameplate.

2.3 Model Identification

If the transfer switch ever needs to be serviced, the distributor will need this information in order to properly identify your unit from the many types manufactured:

- Model No. (Product Model)
- Serial No. (Product Serial Number)
- Spec. (Product Specification Letter)

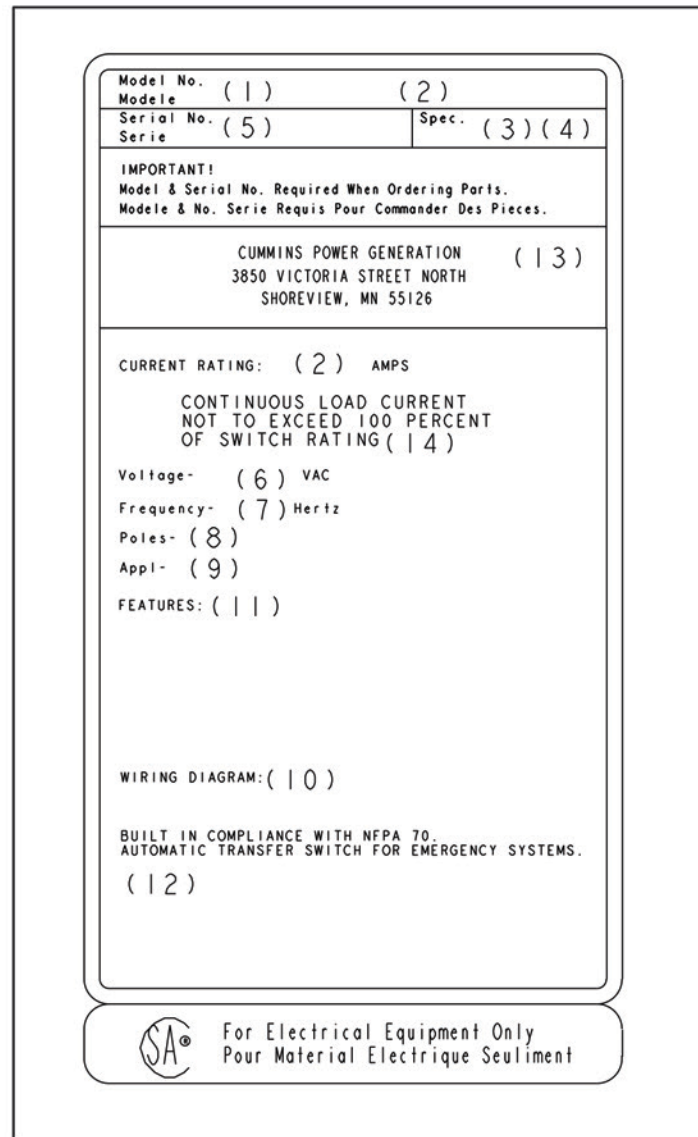


FIGURE 1. CONTROL NAMEPLATE

2.4 Transfer Switch Application

Transfer switches are an essential part of a building's standby or emergency power system. The utility line (normal power), is backed up by a generator set (emergency power). The transfer switch automatically switches the electrical load from one source to the other.

If utility power is interrupted, the load is transferred to the generator set (generator set). When utility power returns, the load is retransferred to the utility. The transfer and retransfer of the load are the two most basic functions of a transfer switch.

2.5 Specifications

2.5.1 Model OTPC

Transfer Switch Model OTPC Specifications:

Model	Amps	Cabinet Types	Util-to-Gen (Level 1 & 2)	Gen-to-Gen (Level 2)	Util-to-Gen & Util-to- Util (Level 1 & 2)	Dual Standby	Plant-to- Plant (Prime Power)	Transfer Modes
OTPCA	40 70 125	All Amps: 4, 3R, 1, 12, 4x	X	X		X	X	OT PT
OTPCB	150 225 260	150-225 Amp (3 & 4-Pole): 1, 3R, 12, 4x 150-225 Amp (3 pole): 4 260 Amp (3 & 4-Pole): 1, 3R, 12, 4x 260 Amp (3 pole): 4	X	X		X	X	OT PT
OTPCC	300 400 600	All Amps: 1, 3R, 12, 4, 4x	X	X		X	X	OT PT
OTPCD	800 1000	All Amps (3 & 4-Pole): 1, 3R, 12, 4x All Amps (3- Pole): 4	X	X		X	X	OT PT
OTPCE	1000 1200	All Amps: 1, 3R, 12, 4, 4x	X	X	X	X	X	OT PT CT
OTPCF	1600	1, 3R, 12, 4	X	X	X	X	X	OT PT CT
OTPCG	2000	1, 3R, 12, 4	X	X	X	X	X	OT PT CT

OTPCH	3000	1, 3R	X	X	X	X	X	OT PT CT
OTPCJ	4000	1, 3R	X	X	X	X	X	OT PT CT

2.6 Automatic Transfer Switch Typical Function

Automatic transfer switches perform the basic function of transferring the load to the available power source. The controller monitors each source for allowable voltage and frequency range.

The transfer switch(es) identified on the cover of this manual are designed for each, all or a combination of the following applications (If you are unsure which of these your transfer switch uses, refer to the Specifications section of this manual):

2.6.1 Open Transition with Sync Check

Open transition with sync check executes an open transition (OT) transfer when both sources of power are within specified tolerances of frequency, voltage and relative phase difference. If both sources meet the tolerances, a fast transfer occurs.

2.6.2 Programmed Transition

Programmed transition executes a programmed transition (PT) transfer by disconnecting the load from the source of power, pausing in the neutral position of the transfer switch (between switched positions) to allow transient voltages from the load to diminish, and then the load is switched to the other source.

2.6.3 Closed Transition

Closed transition executes a load transfer by momentarily paralleling both sources (a maximum of 100ms) before switching sources.

2.7 Utility-to-Generator Set Operation

In utility-to-generator set applications, the transfer switch performs the following functions:

1. Senses the interruption of the Source 1 power (Utility).
2. Sends a start signal to the generator set (Source 2).
3. Transfers the load to the Source 2 power.
4. Senses the return of Source 1 (Utility).
5. Retransfers the load to Source 1.
6. Sends a stop signal to the generator set.

2.8 Utility-to-Utility Operation

In utility-to-utility applications, the transfer switch performs the following functions:

1. Senses the interruption of the Source 1 power (Utility).
2. Transfers the load to the Source 2.

3. Senses the return of Source 1 (Utility).
4. Retransfers the load to Source 1.

2.9 Generator-to-Generator Operation

In generator-to-generator applications, there are two possible configurations.

- Prime Power (Plant-to-Plant) Operation - Two generator sets provide all of the power (utility power is not available).
- Dual Standby - Two generator sets are used to back up utility power.

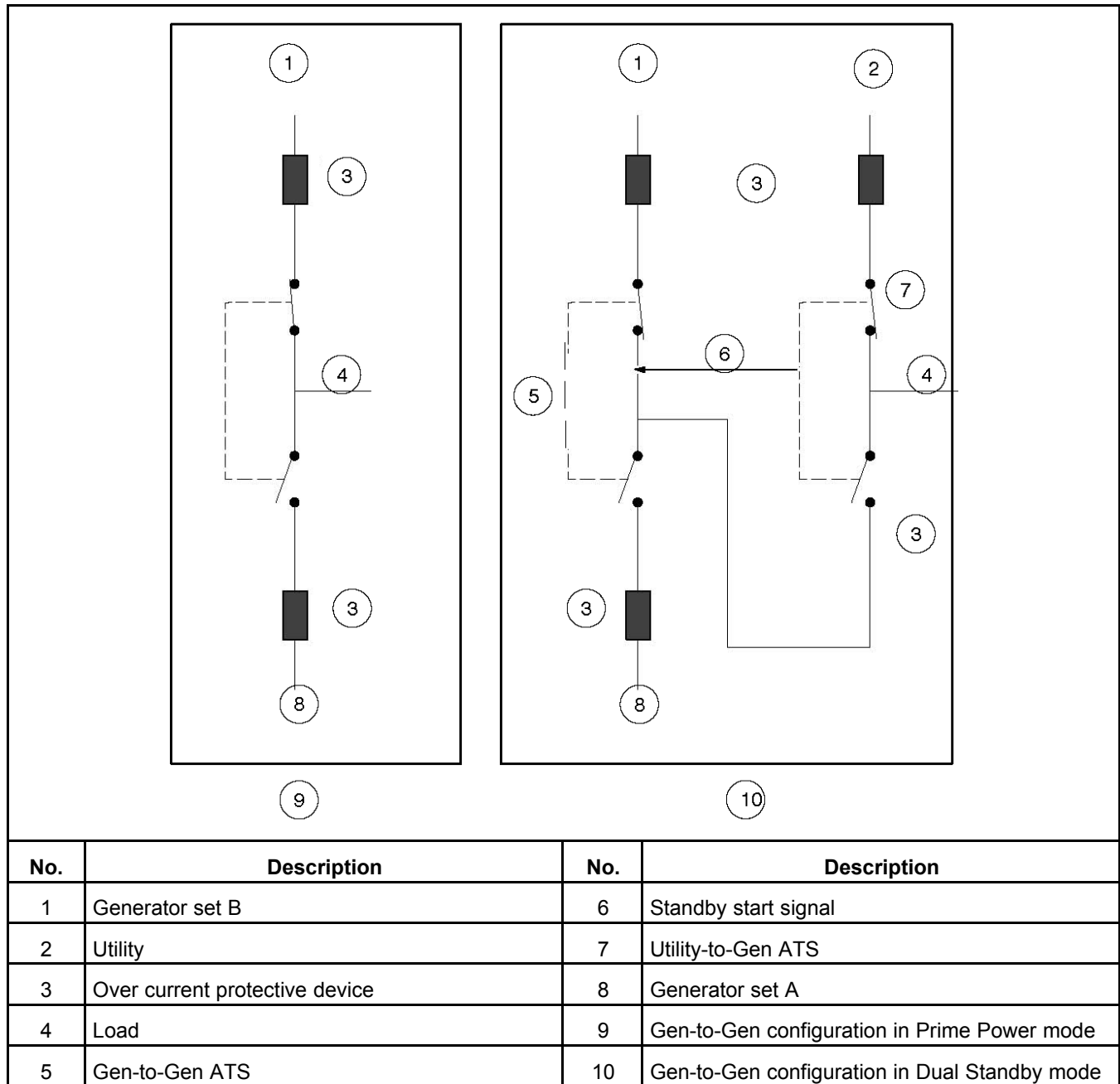


FIGURE 2. GENERATOR-TO-GENERATOR CONFIGURATION IN PRIME POWER AND DUAL STANDBY MODES

2.9.1 Prime Power (Plant-to-Plant) Operation

In prime power applications, utility power is not available. The system includes one transfer switch and two generator sets. One generator set is always running and supplying power to the load while the other generator set is the backup generator set. An external power supply is not needed in this application.

2.9.1.1 Preferred Source Selection

Under normal operation, one genset is designated as the preferred source and supplies power to the load. The second genset is the backup power source. If the preferred genset fails, the backup genset starts and the transfer switch transfers the load to the backup genset.

At any time, the PC service tool or the Test sub-menu can be used to designate either genset (Source 1 or Source 2) as the preferred genset. The Preferred Source menu is included in the Test submenus.

If the preferred genset is changed and the backup genset becomes the preferred genset, the transfer switch transfers the load to the new preferred genset when it becomes available. The unit that is carrying the load is always considered the preferred source.

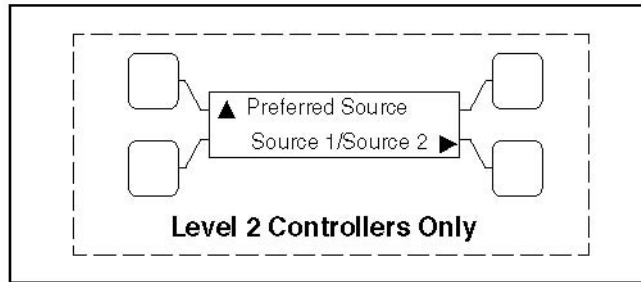


FIGURE 3. PREFERRED SOURCE SUBMENU

2.9.1.2 Automatic Changeover

The transfer switch can be set up to change the preferred source automatically by enabling the changeover timer. The Time Delay submenus under Setup or the PC service tool can be used to enable the changeover timer and specify a changeover delay time period. The Changeover menus are included in the Time Delay submenus.

The automatic changeover timer automatically changes the preferred source and transfers the load to the new preferred genset after a TDEN time delay. After the transfer is complete, the control initiates a cool-down period (TDEC) on the old preferred genset before shutting it down. The old preferred genset is now the new backup genset. The changeover timer is now timing for the next changeover and the cycle continues as long as the changeover timer is enabled.

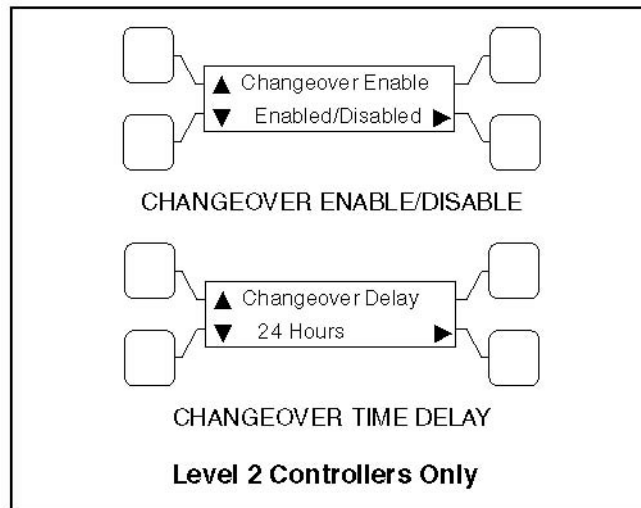


FIGURE 4. CHANGEOVER SUBMENUS

2.9.2 Dual Stand-By Operation

In dual stand-by applications, utility power is available. The system includes two transfer switches (a Utility-to-Generator ATS and a Generator-to-Generator ATS) and two generator sets. Utility power supplies power to the load and both generator sets are backup generator sets.

Under normal operation, the utility is supplying power to the load through the lead transfer switch. The lead transfer switch is a utility-to-generator set switch. The two generator sets are connected to the generator set-to-generator set transfer switch. The load side of this switch is connected to the generator set side of the lead transfer switch.

Upon loss of utility power to the lead transfer switch, a standby start signal is sent to the generator set-to-generator set transfer switch to start the preferred generator set. When the lead transfer switch senses generator voltage, it transfers the load to that generator set. If the preferred generator set fails to start, a signal is sent to the backup generator set to start. The PC Service tool or the Test sub-menu on the generator set-to-generator set transfer switch can be used to set the preferred source.

If the Stand-By Start is inactive, upon initial power-up (or reset), or during software initialization, the transfer switch control will not start either generator set. When a Stand-By Start command is received by the Generator-to-Generator ATS from a Utility-to-Generator ATS (or other device), the preferred generator set immediately starts. If the preferred generator set does not start, the control starts the backup generator set. The load is connected to the generator set when it becomes available.

If the preferred generator set becomes available while the backup generator set is active, a time delay re-transfer (TDEN) period is initiated and the load is re-transferred back to the preferred generator set. A time delay cool-down (TDEC) period is initiated before turning off the backup generator set. When the Stand-By Start becomes deactivated, a TDEC period is initiated and the active generator is turned off.

2.9.2.1 Preferred Source Selection

Under normal operation, one genset is designated as the preferred source and the second genset is designated as the backup power source. If both the utility power and the preferred genset fails, the backup genset starts and the genset-to-genset transfer switch transfers the load to the backup genset.

At any time, the PC service tool or the Test sub-menu on the genset-to-genset transfer switch can be used to designate either genset (Source 1 or Source 2) as the preferred genset. If the preferred genset is changed and the backup genset becomes the preferred genset, the transfer switch transfers the load to the new preferred genset if it is needed and when it becomes available.

2.9.2.2 Alternating Preferred Source

In an attempt to keep the running time equally distributed between both generator sets, the control can be set to alternate between the generator sets when utility power fails. The selected preferred generator set starts with the first power outage. The second power outage starts the backup generator set, which now becomes the preferred generator set. Upon subsequent outages, the preferred generator set alternates.

Only utility outages and tests or exercises initiated at the lead transfer switch result in the generator sets being alternated. The designated preferred generator set will not change if it fails and the backup generator set takes over the load. This alternating preferred source can only be enabled with the PC Service tool. When enabled, a generator set can be designated as the preferred source for a maximum of two weeks. Time adjustments can be made in one-hour increments with the Test submenu.

2.10 Control Level 1 and Level 2

Two controls are available. The type of power source switched and the desired features determine the control levels available.

The control board level can be viewed, using the digital display. This menu is included in the About submenus.

NOTICE

The digital display comes standard with level 2 controls and is optional with level 1 controls.

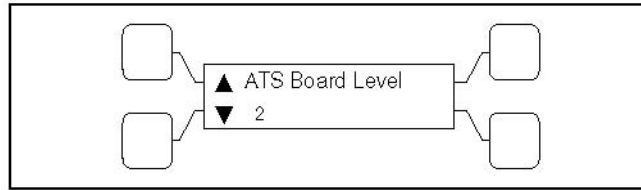


FIGURE 5. CONTROL LEVEL SUBMENU

This page is intentionally blank.

3 Description

3.1 Cabinet

Cabinets are available in various configurations that meet UL and National Electrical Manufacturer's Association (NEMA) requirements. Each cabinet includes an identification label. The standard cabinet offerings are:

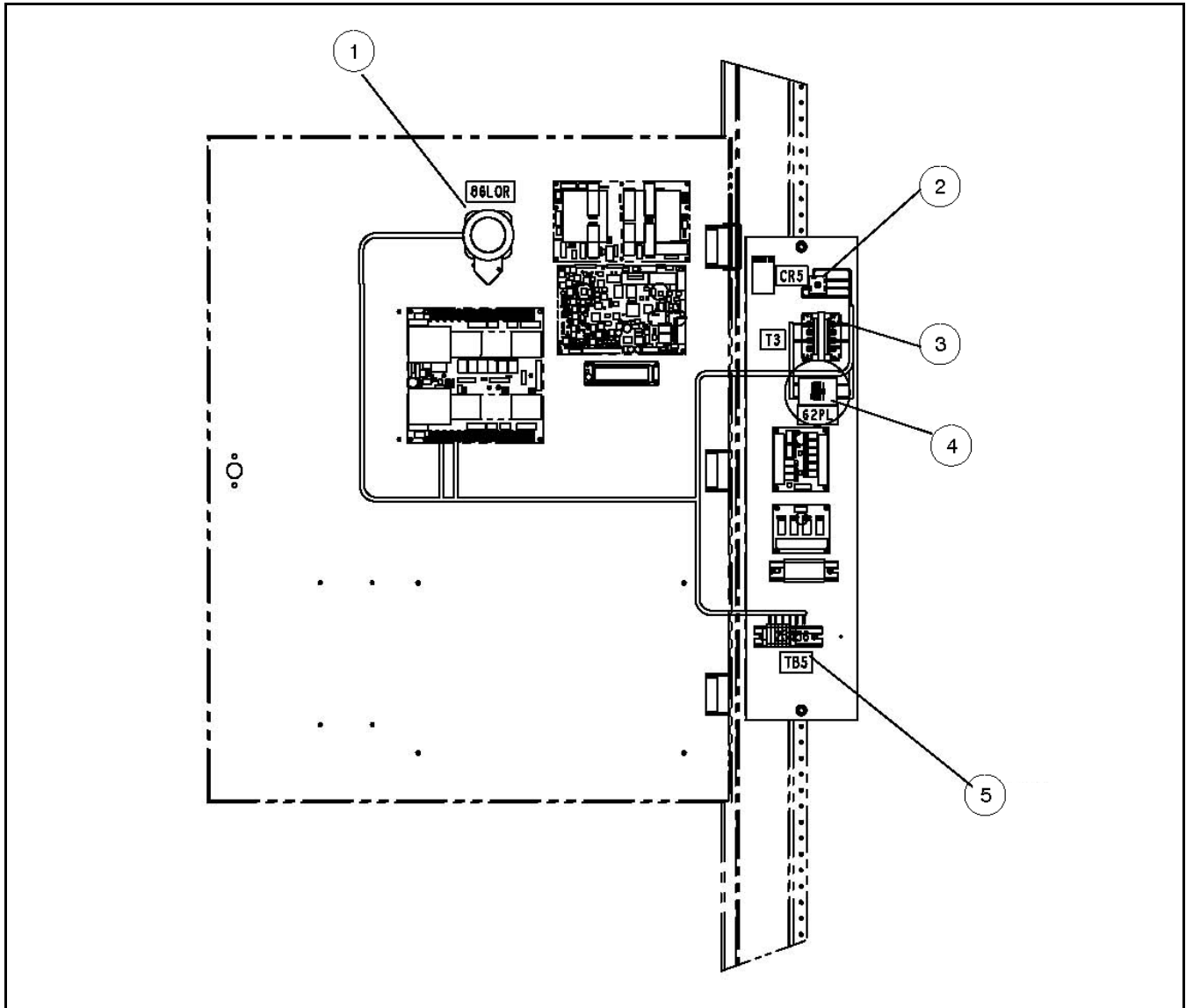
- Type 1 Indoor - general purpose
- Type 3R Outdoor - rainproof
- Type 4 Outdoor - watertight
- Type 4X Outdoor - watertight, stainless steel
- Type 12 Indoor - dust tight

3.2 Protective Relay

This section describes the solid state relays designed for use in single- or three-phase systems to protect equipment against overpower and/or under-power conditions.

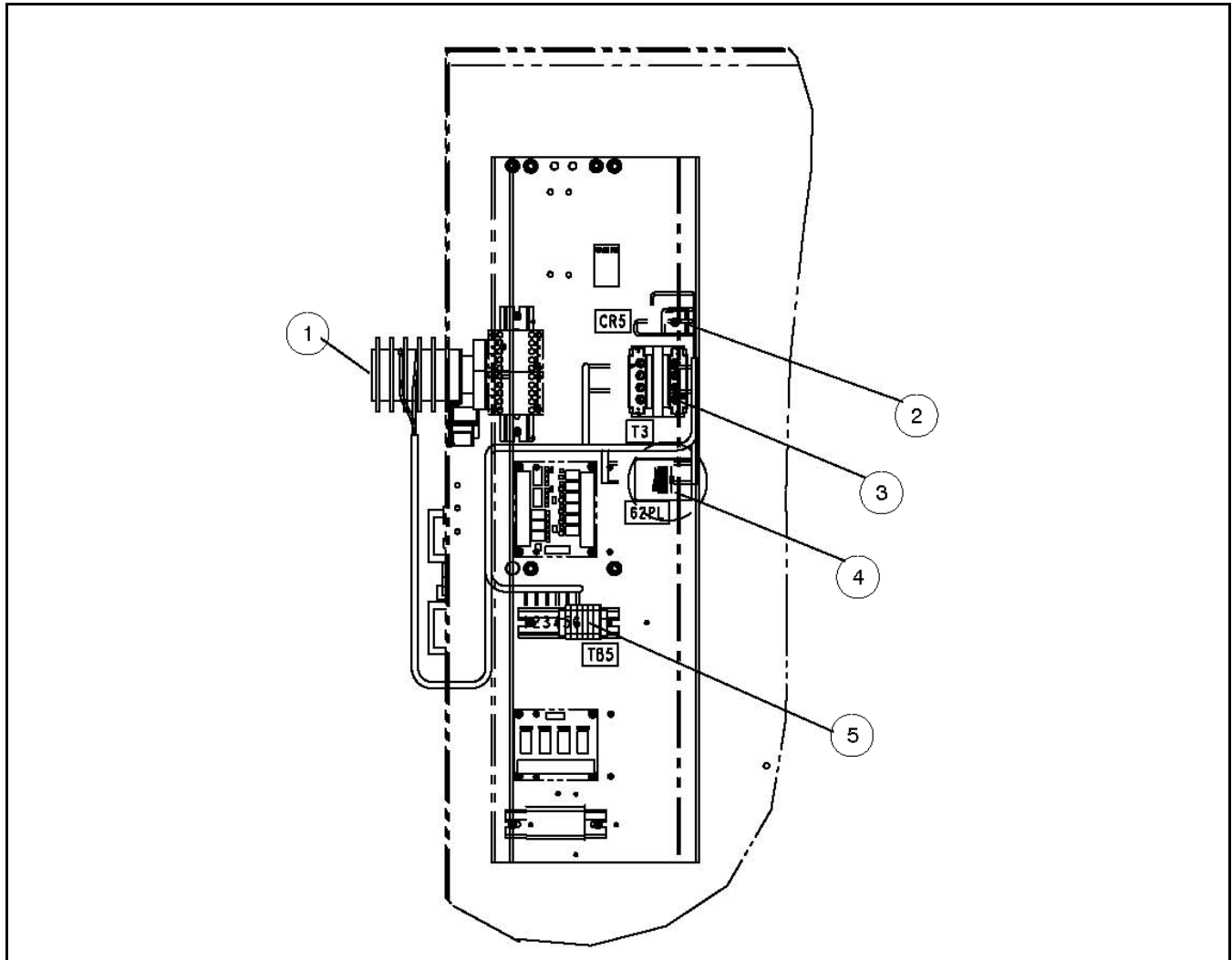
To increase the level of protection in our closed transition switches we have included a lock out relay (86) that can trip from two different signals. It can trip from the K32R directional relay when it senses reverse power is exported to utility or when the 62PL parallel timer has detected that two sources have been connected for more than the predefined time (not the same as "Maximum Parallel Timer" in the digital board).

The 86 lockout relay trips when the internal 24VDC relay coil is energized, and it is always required to manually reset the relay. NC and NO dry contacts are provided for customer wiring which are rated for 20A 600V. Factory settings for the 62PL are 1 and 3 closed (ON), 2 and 4-10 open (OFF), for 500mS delay.



No.	Description	No.	Description
1	Lockout relay	2	Rectifier
3	Transformer	4	Relay
5	Terminal blocks		

FIGURE 6. RELAY INSTALLATION M036/M038



No.	Description	No.	Description
1	Lockout relay	2	Rectifier
3	Transformer	4	Relay
5	Terminal Blocks		

FIGURE 7. RELAY INSTALLATION M036/M038

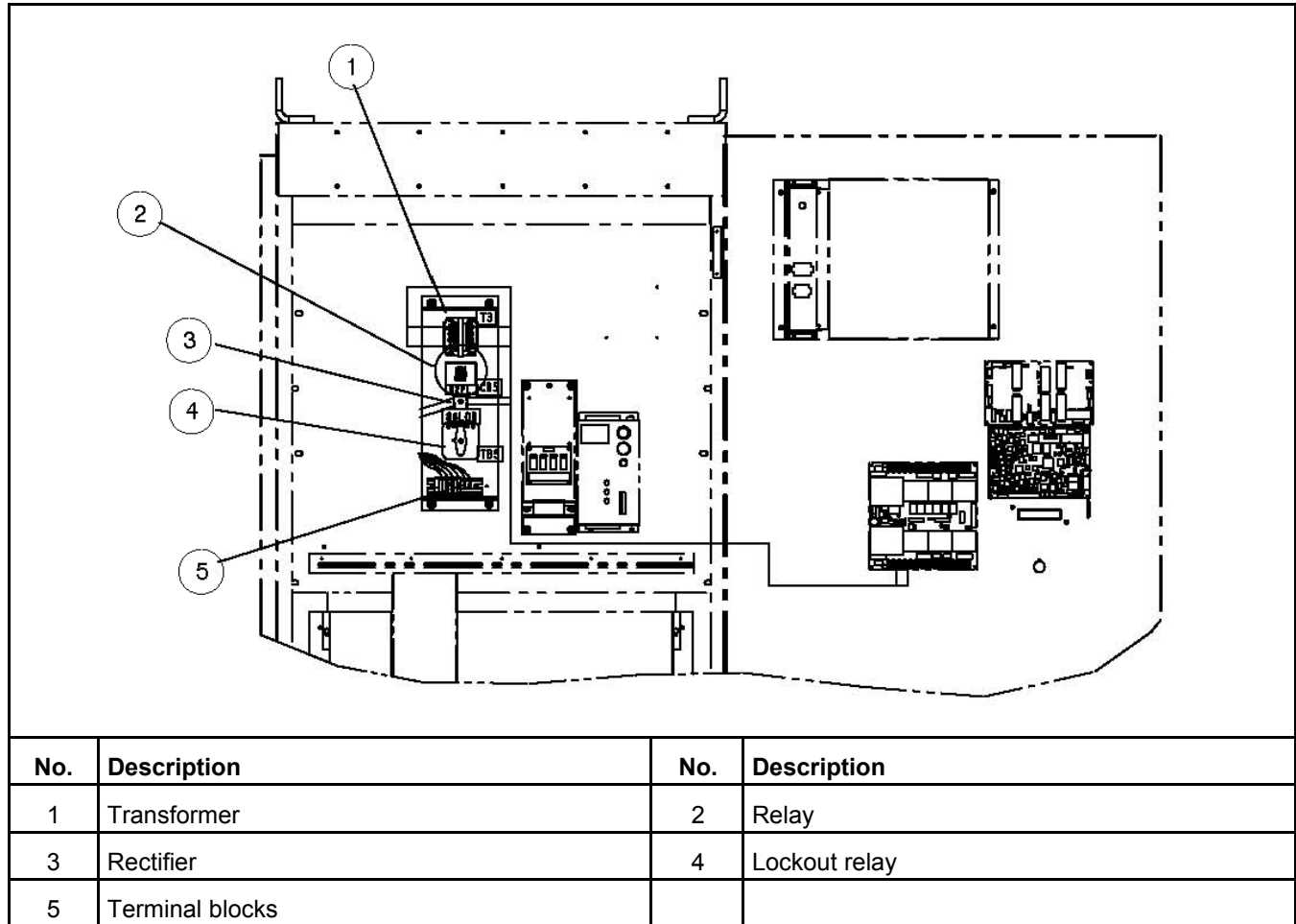


FIGURE 8. RELAY INSTALLATION M036/M038

3.3 Transfer Switch Components

The transfer switch opens and closes the contacts that transfer the load between the power sources (Source 1 and Source 2). The switch is mechanically interlocked to prevent simultaneous closing to both power sources (except in switches capable of closed transitions).

3.3.1 Contact Assemblies

The automatic transfer switch has either three or four poles. Three pole transfer switches are provided with a neutral bar. The contact assemblies make and break the current flow. When closed to either power source the contacts are mechanically held. A mechanical interlock prevents them from closing to both power sources at the same time.

3.3.2 Linear Actuator

The linear actuator moves the contact assemblies between the contacts of both power sources. Linear actuator operation is initiated automatically by the transfer switch control. Manual operation of the switch is also possible.

3.3.3 Motor Disconnect Switch (150-1000 Amp Switches)

Moving the Draw out lever to the Release position disables the linear actuator. The Not In Auto indicator on the front panel will light and the display indicates a motor disconnect event.

3.3.4 Motor Disconnect Switch (1200-4000 Amp Switches)

The Motor Disconnect toggle switch on the accessory control plate enables and disables the linear actuator.

- Placing the switch in the AUTO position enables the linear actuator.
- Placing the switch in the OFF position disables the linear actuator. When placed in the OFF position, the Not In Auto indicator on the front panel will light and the display indicates a motor disconnect event.

3.3.5 Auxiliary Contacts

Auxiliary contacts are provided on the utility and generator set sides of the transfer switch. They are actuated by operation of the transfer switch during transfer and retransfer. The utility auxiliary contact switch is actuated when the transfer switch is connected to the utility. The generator set auxiliary contact switch is actuated when the transfer switch is connected to the generator set. The auxiliary contacts have current ratings of 10 amperes at 250 VAC. The contacts are wired to terminal block TB1.

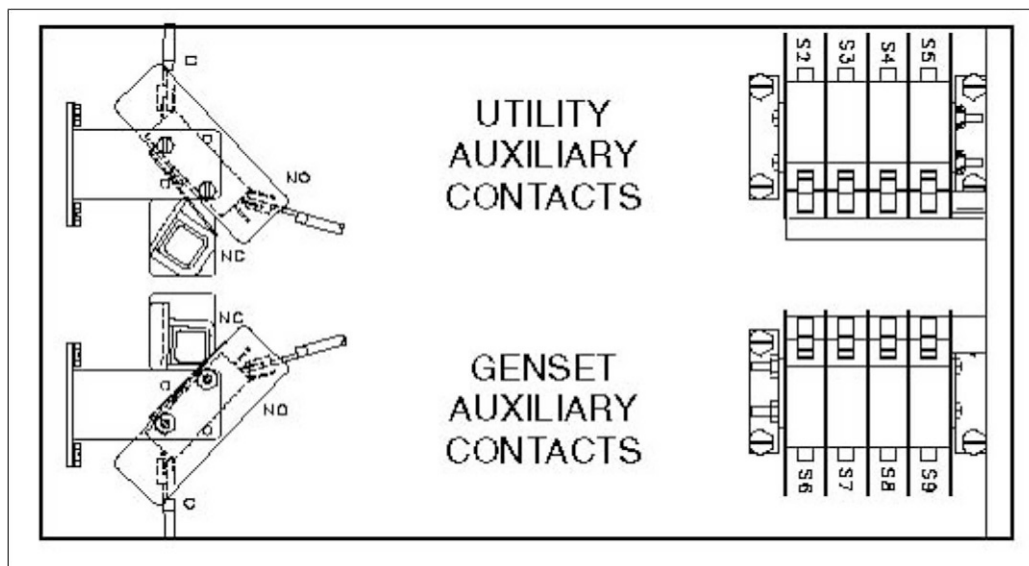


FIGURE 9. AUXILIARY CONTACTS

3.4 Electronic Control System

This section describes the standard and optional components of the electronic control system.

⚠ WARNING

Improper calibration or adjustment of electronic control modules can cause death, severe personal injury, and equipment or property damage. Calibration and adjustment of these components must be performed by technically qualified personnel only.

For further information regarding installation, calibration and adjustment of these components, refer to the:

- Installation Manual (shipped with the product)
- Service Manual (available through your distributor)

⚠ WARNING

Accidental actuation of the linear motor could cause severe personal injury. Before making any adjustments, place the Motor Disconnect Switch in the OFF position. Return the switch to the Auto position after adjustments are completed.

⚠ WARNING

AC power within the cabinet and the rear side of the cabinet door presents a shock hazard that can cause severe personal injury or death. When the cabinet door is open, use extreme caution to avoid touching electrical contacts with body, tools, jewelry, clothes, hair, etc.

3.4.1 Time Delays

3.4.1.1 Time Delay Engine Start (TDES-A and TDES-B)

Time Delay Default: 3 seconds (for both TDES-A and TDES-B)

Adjustable: The value is set with the InPower service tool or the digital display.

- Adjustable from 0-15 seconds in 1 second increments on Level 1 controls.
- Adjustable from 0-120 seconds on Level 2 controls.
 - Values up to 20 seconds are adjustable in 1 second increments.
 - Values over 20 seconds are adjustable in 5 second increments.

Purpose: Prevents the generator set from starting during short power interruptions.

Sequence of Events: Timing begins at the Source 1 power interruption (or the preferred source interruption on generator set-to-generator set units). If the duration of interruption exceeds the delay time, the control system starts the generator.

NOTICE

For long engine start time delays (over 15 seconds) a remote battery source must be used.

For **Generator Set-to-Generator Set** applications: TDES-A is the start time delay to start the Source 2 generator set and TDES-B is the start time delay to start the Source 1 generator set.

For **Utility-to-Utility** applications: TDES-A and TDES-B are not available.

3.4.1.2 Time Delay Engine Cool-down (TDEC-A and TDEC-B)

Time Delay Default: 10 minutes

Adjustable: Adjustable from 0-30 minutes, in 1 minute increments. The value is set with the InPower service tool or the digital display.

Purpose: Allows the generator set to cool without load before stopping.

Sequence of Events: Timing begins when the load is retransferred to Source 1 (or to the preferred source on generator set-to-generator set units). At the end of the delay, the stop signal is sent to the generator set. During this time delay, the generator set cools down without load before stopping.

For **Generator Set-to-Generator Set** applications: TDEC-A is the stop time delay to stop Source 2 generator set and TDEC-B is the stop time delay to stop Source 1 generator set.

For **Utility-to-Utility** applications: TDEC-A and TDEC-B are not available.

3.4.1.3 Time Delay Normal to Emergency (TDNE)

Time Delay Default: 5 seconds

Adjustable: Adjustable from 0-120 seconds, in 1 second increments. The value is set with the InPower service tool or the digital display.

Purpose: Allows the generator set to stabilize before the load is applied.

Sequence of Events: Timing begins when:

- Source 2 voltage and frequency reaches the settings of the control.
- Preferred source voltage (on gen-to-gen units) and frequency reaches the settings of the control.
- Preferred utility becomes available (on utility-to-utility units).

After the delay, the transfer switch transfers the load to Source 2.

3.4.1.4 Time Delay Emergency to Normal (TDEN)

Time Delay Default: 10 minutes

Adjustable: Configurable for 0 (disabled), 0.1, 5, 10, 15, 20, 25 or 30 minutes.

Purpose: Allows utility power to stabilize before retransfer. This delay also allows the generator to operate under load for a minimum amount of time before transferring back to utility power.

Sequence of Events: Timing begins with the transfer switch connected to the generator and after the utility becomes available following an outage (the green Utility Power Available LED is lit). This time delay also starts when an active test or exercise period has ended. After the delay, the transfer switch can retransfer the load to the utility power source.

- If the utility fails any time during this time delay, the control resets the timer and restarts it once utility power becomes available.
- If the generator fails at any time during this time delay, the timer expires and the normal retransfer sequence takes place.
- If the Override pushbutton is pressed or the Override input is grounded while the TDEN timer is active, the TDEN timer immediately expires.
- The TDEN timer will not begin if a Retransfer Inhibit input is active.

3.4.1.5 Time Delay Elevator (TDEL)

Time Delay Default: 0 seconds

Adjustable: Adjustable from 0-60 seconds, in 1 second increments. The value is set with the InPower service tool or the digital display.

Purpose: Allows an elevator to come to a complete stop before the switch transfers.

Sequence of Events: Timing begins after the transfer or retransfer timing ends. TDEL only times when transferring between two live sources.

3.4.1.6 Time Delay Programmed Transition (TDPT)

Time Delay Default: 0 seconds

Adjustable: Configurable for 0 (disabled), 0.5, 1, 2, 3, 4, 6 or 10 seconds.

Purpose: Allows the transfer switch to pause in the Neutral position for an adjustable period of time whenever there is a transfer from one source to another.

- This intentional delay allows the residual voltage of an inductive load to sufficiently decay before connecting it to another power source.
- This delay prevents potentially damaging voltage and current transients in the customer's power system.

Sequence of Events: Timing begins whenever the transfer switch has disconnected from one source and is in the Neutral position.

- If TDPT is set to zero, then the transfer switch transfers from one source to the other with no neutral position delay.
- The control also detects if the transfer switch has disconnected from the first source before connecting it to the second one.
- If there is a power source failure while the TDPT is active, the control only transfers to the remaining active power source.
- The control does not terminate the TDPT timer if either source fails while the transfer switch is in the Neutral position.

3.4.2 System Sensors

3.4.2.1 Under-Voltage Sensing

All controls include under-voltage sensors for Source 1 and Source 2.

Default Value:

- Pick-up: 90%
- Drop-out: 90% of the pick-up setting

Range:

- The pick-up range for a rising voltage is 85 to 100% of the nominal voltage set point.
- The under-voltage sensing range for a falling voltage (drop-out) is 75 to 98% of the pick-up voltage setting.

Default Delay Time: 0.5 second

Adjustable: The adjustable range for the time delay period is 0.1 to 1.0 seconds in 0.1 second increments. These values are set with the PC service tool or the digital display.

Sequence of Events:

- When a sensor detects a voltage below the set drop-out voltage for a period longer than the time delay, it deems the voltage as unacceptable.
- When the sensor detects a voltage at or above the set pick-up point, it deems the voltage as acceptable.

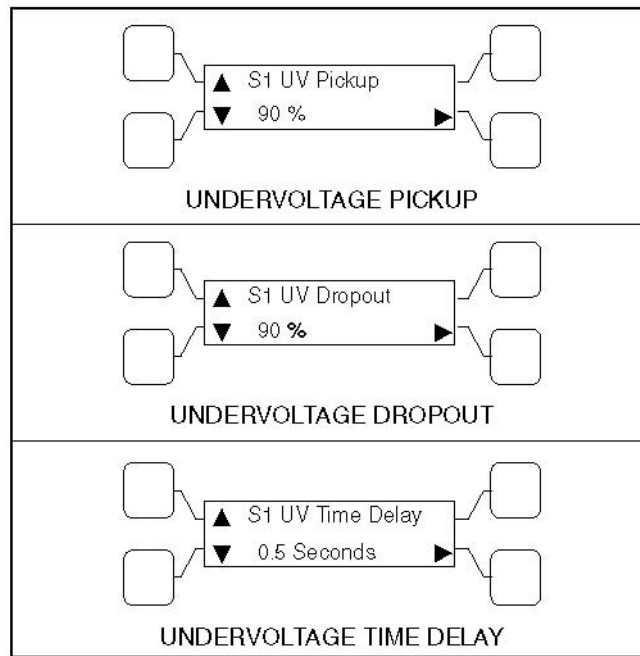


FIGURE 10. UNDER-VOLTAGE SENSING SUBMENUS

3.4.2.2 Over-Voltage Sensing

All controls include over-voltage sensors for Source 1 and Source 2 that can be disabled and not used. The over-voltage sensing feature is enabled by default.

Default Value:

- Over-voltage (drop-out) sensing range: 110%
- Pick-up range: 95%

Range:

- The over-voltage sensing range (drop-out) for a rising voltage is 105 to 135% of the nominal voltage set point.
- The pick-up range for a falling voltage is 95 to 99% of the drop-out setting.

Default Delay Time: 3.0 seconds

Adjustable: The adjustable range for the delay time period is 0.5 to 120.0 seconds in 1 second intervals. These values are set with the PC service tool or the digital display.

Sequence of Events:

- When a sensor detects a voltage above the set dropout voltage for a period longer than the time delay, it deems the voltage as unacceptable.
- When the sensor detects a voltage at or below the set pickup point, it deems the voltage as acceptable.

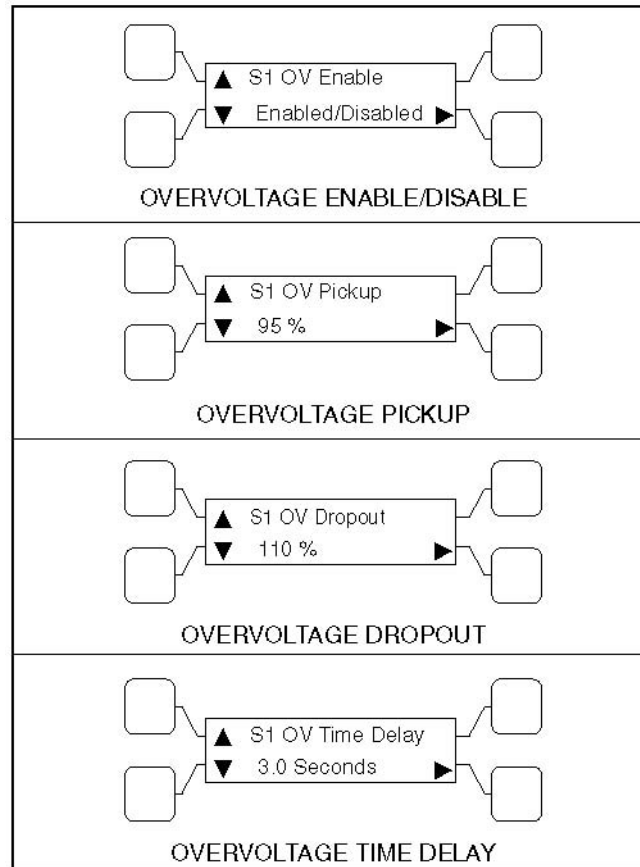


FIGURE 11. OVER-VOLTAGE SENSING SUBMENUS

3.4.2.3 Frequency Sensing

All controls include frequency sensors for Source 1 and Source 2 that can be disabled and not used.

Default Value:

- Nominal frequency: 60 Hz
- Frequency pick-up bandwidth: $\pm 10\%$
- Frequency drop-out: 1% beyond pick-up bandwidth setting

Range:

- The nominal frequency can be set between 45.0 and 60.0 Hz in 0.1 Hz increments.
- The acceptable frequency bandwidth (pick-up) is ± 5 to $\pm 20\%$ of the nominal frequency set point.
- The drop-out frequency is 1 to 5% beyond the pick-up.

The frequency sensing feature is enabled by default.

Default Delay Time: 1.0 second

Adjustable: The adjustable range for the time delay period is 0.1 to 15 seconds.

Sequence of Events:

- When a sensor detects a frequency outside the dropout bandwidth for a period longer than the time delay, it deems the frequency as unacceptable.
- When the sensor detects a frequency within the pickup bandwidth, it deems the frequency as acceptable.

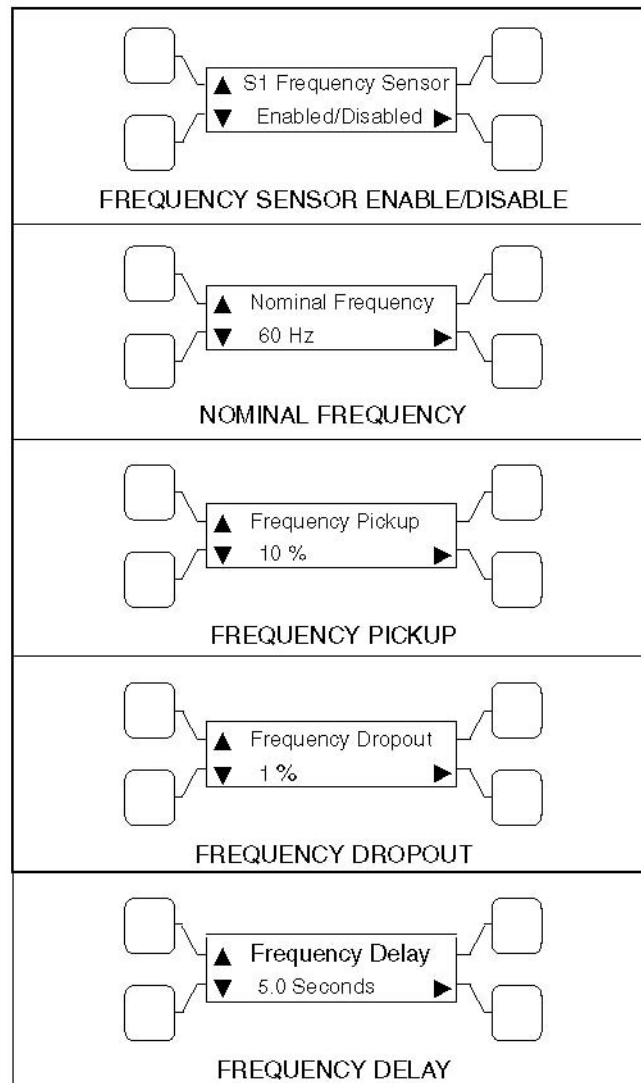


FIGURE 12. FREQUENCY SUBMENUS

3.4.2.4 Voltage Imbalance Sensing

Three phase Level 2 controllers include a voltage imbalance sensor for both Source 1 and Source 2. This feature informs the operator when there is significant voltage imbalance between the phases of Source 1 or Source 2. This feature is used for equipment protection.

NOTICE

This sensor is inactive for single phase systems and indicates no failures. To prevent nuisance faults, the setting can be increased up to 10% of the nominal voltage.

This sensor can be enabled using the PC service tool or the digital display Setup submenus.

Default Value: 10%

Range:

- The maximum deviation from the average voltage is greater than a user-specified value between 2 and 10% (dropout) of the average voltage in 1% increments.

- The pickup value is fixed at 10% of the dropout.

Default Delay Time: 10 seconds

Adjustable: The adjustable range for the time delay period for the imbalance sensor drop-out is 2 to 20 seconds.

Sequence of Events: A voltage imbalance is typically caused by severe single phase loading. The sensor indicates a failure when the maximum deviation from the average voltage is greater than a user-specified value (dropout) of the average voltage.

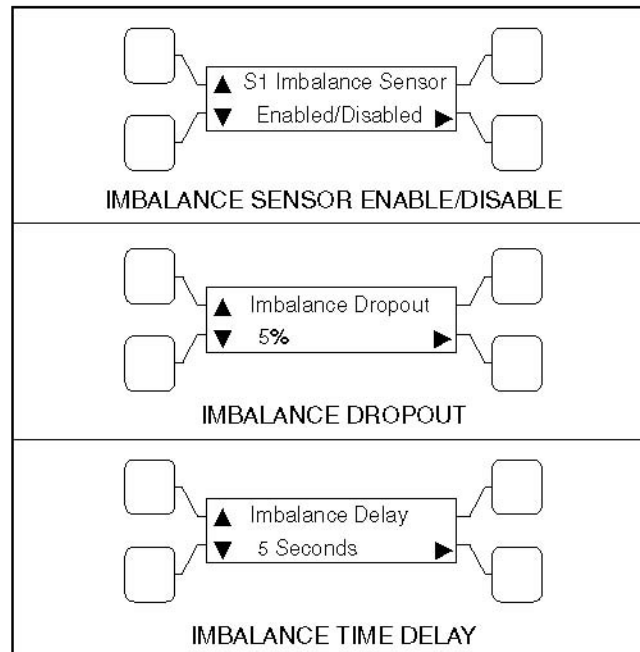


FIGURE 13. VOLTAGE IMBALANCE SENSOR SUBMENUS

3.4.2.5 Phase Rotation Sensing

Three phase Level 2 controllers include a phase rotation sensor.

This feature monitors the phase rotation of the source opposite from the connected source. Both voltage sources must be applied in order to check phase rotation.

This feature protects against equipment damage by preventing transfer to a source that is out of phase. This generally occurs on new installations or after storm damage or generator rewiring. This feature is required in fire pump applications.

⚠ CAUTION

Level 1 controls do not support three-phase sensing on Source 2. Do not select the three-phase option for the Source 2 Sensing adjustment with Level 1 controls, even if the system is three phase. This setting will prevent Source 2 from becoming available.

Default Value: Disabled

Adjustable: The adjustable range for phase rotation sensing is Enabled or Disabled (On or Off).

Sequence of Events: When the alternate source is out of phase rotation with the connected source, transfer is inhibited.

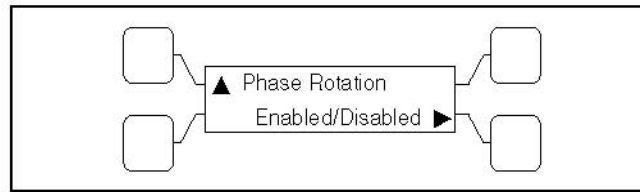


FIGURE 14. PHASE ROTATION SENSING SUBMENU

3.4.2.6 Loss of Single Phase Sensing

Three phase Level 2 controllers include a loss of single phase sensor.

NOTICE

This sensor is inactive for single phase systems and indicates no failures.

This feature initiates a transfer from a source that has lost a single phase and prevents a transfer to a source that has lost a single phase. This is generally caused by a single phase to line ground or open.

This feature is mainly used to protect three phase devices, such as motors.

Default Value: Disabled

Adjustable: The adjustable range for loss of single phase sensing is Enabled or Disabled (On or Off).

Sequence of Events: The controller indicates a fault when the relative phase angle between any line-to-line phase angle drops to less than 90 degrees.

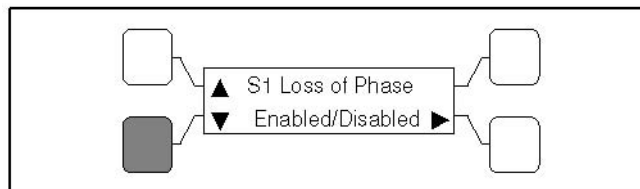


FIGURE 15. LOSS OF PHASE SENSING SUBMENU

3.4.2.7 Transfer Times

The controller senses and records the time it takes for the transfer switch to break from one source and reconnect to the other source.

NOTICE

Transfer times are not recorded if Programmed Transition delay is in use.

3.4.3 Transfer Modes

A transfer mode can be selected from the front panel digital display.

Since not all automatic transfer switches are configured the same, some may not have access to all transition mode types. The transfer modes available on your transfer switch are identified in the following section.

The transfer switch mode setting can be changed with the PC service tool or with the digital display.

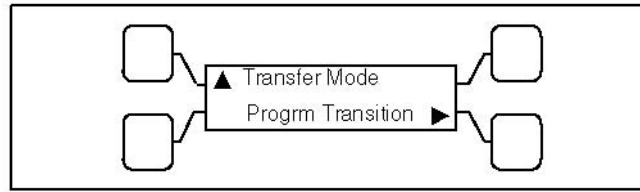


FIGURE 16. TRANSFER MODE SUBMENU

3.4.3.1 Available Transfer Modes

- Open Transition (OT) with Sync Check
- Programmed Transition (PT)
- Closed Transition (CT)

3.4.3.2 Open Transition with Sync Check

Open transition with sync check executes an open transition (OT) transfer when both sources of power are within specified tolerances of frequency, voltage and relative phase difference. If both sources meet the tolerances, a fast transfer occurs.

3.4.3.2.1 Transfer from Source 1 to Source 2 (OT)

This sequence begins with Source 1 supplying power to the load. The Source 1 Available and Source 1 Connected indicators are lit. The sequence ends with Source 2 (generator) assuming the load.

1. When Source 1 goes “out of spec,” the control starts a Time Delay to Engine Start (TDES) timer and the Source 1 Available indicator goes out.
2. If the TDES expires without a return to acceptable Source 1 power, the genset receives a remote start signal. The engine starts and accelerates to rated speed.
3. When the alternator output reaches the “pickup” level, the Source 2 Available indicator is lit. The control starts the Time Delay Normal to Emergency (TDNE) timer.

3.4.3.2.2 Transfer from Source 2 to Source 1 (OT)

This sequence begins with Source 2 supplying power to the load. The Source 2 Available and Source 2 Connected indicators are lit. The sequence ends with Source 1 (utility) assuming the load.

1. When Source 1 returns to “in spec,” the Source 1 Available indicator is lit and the control starts the Time Delay Emergency to Normal (TDEN) timer. When this time is complete, the controller starts monitoring both live sources looking for when they are in sync
2. When both sources are in sync, the switch transfers the load to Source 1. However, if the two sources fail to synchronize and the “Return PT Enabled” feature is active, the switch executes a programmed transition by stopping in the Neutral position and transferring the load to Source 1. If Source 2 goes offline while the controller is trying to synchronize the two sources, the controller executes a Programmed Transition and transfers the load to Source 1.
3. A Time Delay Engine Cool-down (TDEC) for the genset is activated. When the engine cool-down delay expires, the genset shuts down and the Source 2 Available indicator goes out.

3.4.3.2.3 Return PT Enable

A feature included with controls that have a Sync Check sensor is Return to Programmed Transition.

Adjustable: This feature can be enabled and disabled with the PC service tool or with the digital display, if available.

Sequence of Events: If the two sources fail to synchronize within two minutes, a Failed to Synchronize event occurs. If the Return to Programmed Transition feature is enabled, the control reverts to transferring the transfer switch to the programmed transition mode.

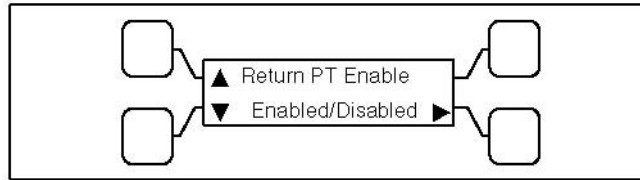


FIGURE 17. RETURN TO PROGRAMMED TRANSITION SUBMENU

3.4.3.2.4 Sync Check Sensor

Sync Check is used to determine when both sources of power are within specified tolerances of frequency, voltage, and relative phase difference. If both sources are within this range, a fast or synchronized transfer occurs.

The transfer switch controller measures non-programmed transition transfer times from one source to another. It takes into account relay coils and solenoids energizing.

Default Value:

- Frequency bandwidth: 1.0 Hz
- Voltage: 10 V
- Offset: 0 milliseconds

Range:

- The frequency bandwidth range is from 0.1 and 1.0 Hz.
 - The frequency difference between the sources must be equal to or less than the set value in order for transfer to occur.
- The voltage window is from 5 and 25 volts.
 - The average voltage difference between the two sources must be equal to or less than the set value in order for transfer to occur.
- The manual offset range is from -25 to +25 milliseconds.

Adjustable: Synchronicity parameters are adjustable. The transfer switch mode setting can be changed with the PC service tool or with the digital display, if available.

Sequence of Events: If enabled, the Sync Check sensor overrides programmed transition whenever transferring between two live sources. If only one power source is available, programmed transition overrides the Sync Check sensor.

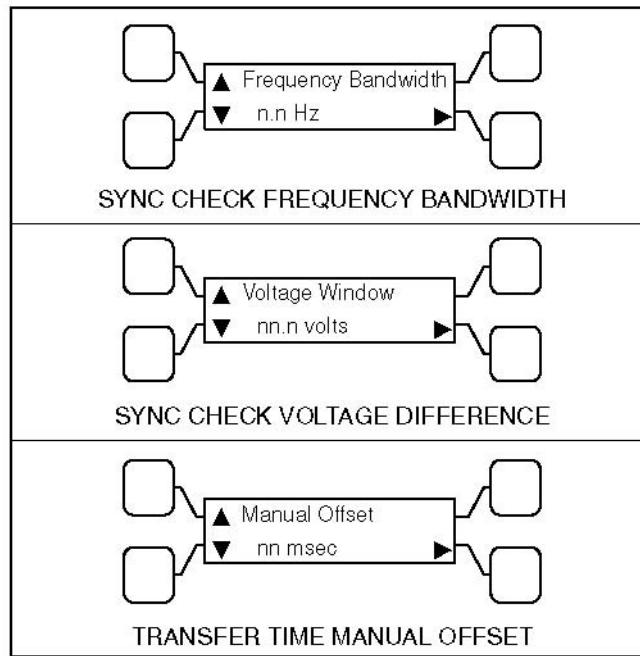


FIGURE 18. SYNCHRONICITY PARAMETER SUBMENUS

3.4.3.2.5 Active Sync Feature

When the transfer switch is configured to transfer in closed transition mode it is recommended to use the active sync feature. When the active sync feature is enabled,

the transfer switch control can send a Sync Enable command to the genset to synchronize with the utility. This command is activated just before the Sync Check sensor is activated.

To use the Active Sync feature, it must first be enabled. The Active Sync feature can be enabled with the PC service tool or the digital display, if available.

NOTICE

The active sync feature may be used with a non-paralleling genset control as well as a paralleling control. A non-paralleling genset control will not synchronize the genset to the utility but enabling the active sync will impose the active sync time delay so that the two source must remain synchronized for the set time period maximizing the reliability of the transfer. When using a non-paralleling genset with this feature it is recommended to set the generator set frequency to 0.1 Hz higher than the utility to make sure that the generator set will come into sync with the utility.

Default Value: 0.5 seconds

Range: The Active Sync Time Delay is adjustable from 0 to 5 seconds in 0.1 second increments.

Default Delay Time:

Adjustable: The Active Sync Delay timer can be set with the PC service tool or the digital display.

Sequence of Events: When the Active Sync feature is enabled, the control runs an Active Sync Time Delay (if greater than 0) and sends the Sync Enable command to the genset. The Active Sync Time Delay is used to check the stability of the system before transferring to the other source. The two sources must remain synchronized for this period of time period before a transfer command is given.

When a paralleling genset control receives a Sync Enable command and detects the Source 1 bus voltages, the genset control automatically synchronizes its speed and phase to match the Source 1 bus. The Sync Check sensor monitors both sources. When they are synchronized, a transfer or retransfer command is initiated.

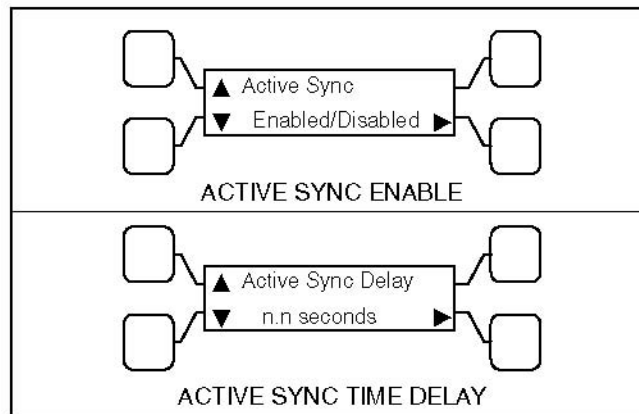


FIGURE 19. ACTIVE SYNC SUBMENUS

3.4.3.2.6 Speed Adjust

If a PowerCommand transfer switch and a non-paralleling genset are networked together, the transfer switch control can send a Speed Adjust command to the genset to increase its speed just enough to increase its frequency by 0.5 Hz.

NOTICE

The genset must be capable of reacting to a Speed Adjust command. This feature is only available if a PowerCommand network is installed.

Default Value: Speed Adjust is always enabled unless Active Sync is enabled.

Sequence of Events: The command is activated just before the Sync Check sensor is activated. It is used when the genset takes a long time to drift in sync with the utility. This increases the number of "in-phase" opportunities to satisfy the Sync Check sensor.

3.4.3.3 Programmed Transition

Programmed transition executes a programmed transition (PT) transfer by disconnecting the load from the source of power, pausing in the neutral position of the transfer switch (between switched positions) to allow transient voltages from the load to diminish, and then the load is switched to the other source.

3.4.3.3.1 Transfer from Source 1 to Source 2 (PT)

This sequence includes a programmed transition and begins with Source 1 supplying power to the load. The Source 1 Available and Source 1 Connected indicators are lit. The sequence ends with Source 2 (generator) assuming the load.

1. When source 1 goes "out of spec," the control starts a Time Delay Engine Start (TDES) timer and the Source 1 Available indicator goes out.
2. If the TDES expires without a return to acceptable Source 1 power, the genset receives a remote start signal. The engine starts and accelerates to rated speed.
3. When the alternator output reaches the "pickup" level, the Source 2 Available indicator lights. The transfer switch starts the Time Delay Normal to Emergency (TDNE) timer. When this time is complete, the switch moves to the Neutral position. The Source 1 Connected indicator goes out.

4. The transfer switch stops in the Neutral position for the Time Delay Programmed Transition (TDPT) and then completes its transition to the Source 2 position. The Source 2 Connected indicator lights.

3.4.3.3.2 Transfer from Source 2 to Source 1 (PT)

This sequence begins with Source 2 supplying power to the load. The Source 2 Available and Source 2 Connected indicators are lit. The sequence ends with Source 1 (utility) assuming the load.

1. When Source 1 returns to "in spec," the Source 1 Available indicator lights and the digital board starts the Time Delay Emergency to Normal (TDEN) timer. When this time is complete, the switch moves to the neutral position (the Source 2 indicator goes out).
2. If there is a programmed transition delay, the transfer switch stops in the Neutral position for the Time Delay Programmed Transition (TDPT) and then completes its transition to the Source 1 position. The Source 1 Connected indicator lights and the Time Delay Engine Cooldown (TDEC) timer starts.
3. When the engine cool-down delay expires, the genset shuts down and the Source 2 Available indicator goes out.

3.4.3.4 Closed Transition

Closed transition executes a load transfer by momentarily paralleling both sources (a maximum of 100ms) before switching sources.

3.4.3.4.1 Transfer from Source 1 to Source 2 (CT)

This sequence begins with Source 1 supplying power to the load. The Source 1 Available and Source 1 Connected indicators are lit. The sequence ends with Source 2 (generator) assuming the load.

1. When Source 1 goes "out of spec," the digital board starts a Time Delay to Engine Start (TDES) timer and the Source 1 Available indicator goes out.
2. If the TDES expires without a return to acceptable Source 1 power, the genset receives a remote start signal, the engine starts and accelerates to rated speed.
3. When the alternator output reaches the "pickup" level, the Source 2 Available indicator is lit. The transfer switch starts the Time Delay Normal to Emergency (TDNE) timer. When this time is complete, the switch moves to the Neutral position. The Source 1 Connected indicator goes out.
4. If there is a programmed transition delay, the transfer switch stops in the Neutral position for the Time Delay Programmed Transition (TDPT) and then completes its transition to the Source 2 position. The Source 2 Connected indicator is lit.

3.4.3.4.2 Transfer from Source 2 to Source 1 (CT)

This sequence begins with Source 2 supplying power to the load. The Source 2 Available and Source 2 Connected indicators are lit. The sequence ends with Source 1 (utility) assuming the load.

1. When Source 1 returns to "in spec," the Source 1 Available indicator is lit and the digital board starts the Time Delay Emergency to Normal (TDEN) timer. When this time is complete, the controller starts monitoring both live sources until they are in phase.
2. When they are in phase, the controller closes the Source 1 contact and allows Source 1 and Source 2 to simultaneously feed the load for a maximum of 100ms.
3. After the 100ms timer expires, the controller opens the Source 2 contacts.
4. A Time Delay Engine Cool-down (TDEC) for the genset is activated. When the engine cool-down delay expires, the genset shuts down and the Source 2 Available indicator goes out.

3.4.4 Front Panel Test - Sequence of Events

If the test button is pushed on the Front Panel, then the controller simulates a Source 1 or Utility failure and proceeds to transfer the load to the generator.

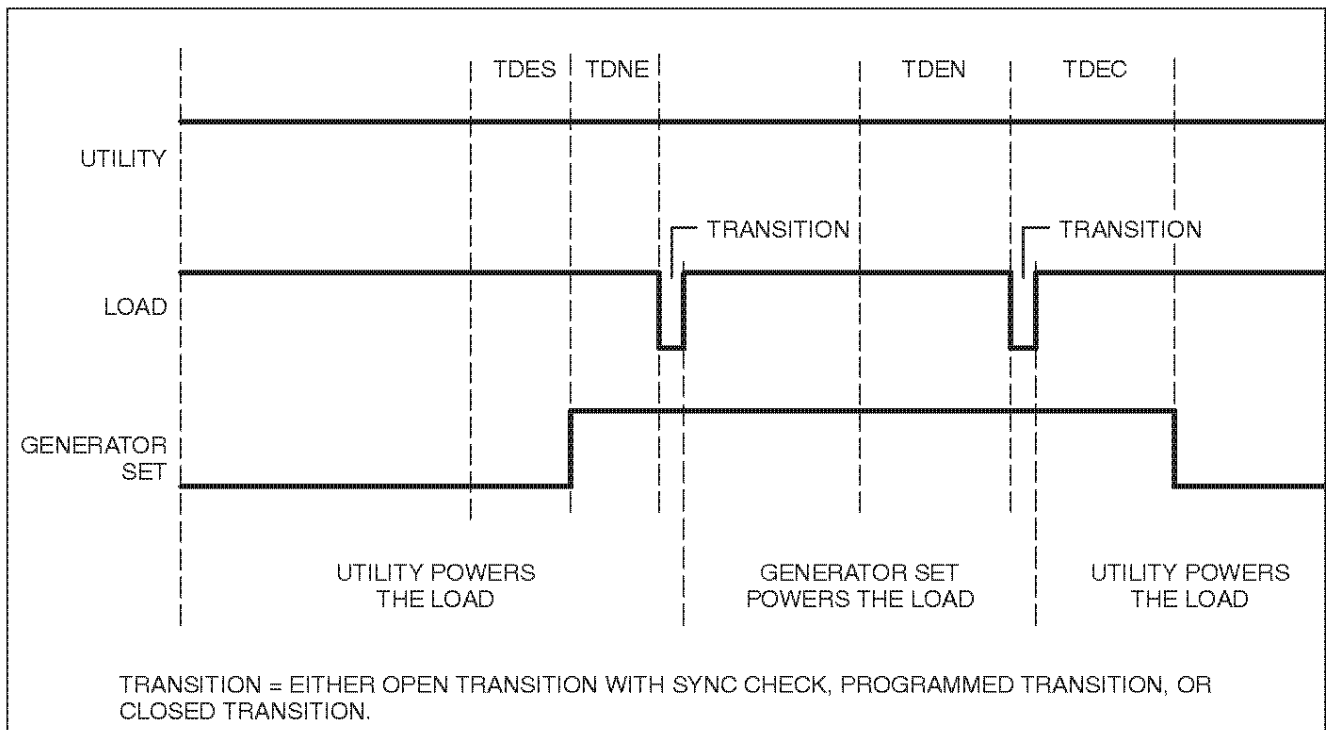


FIGURE 20. FRONT PANEL TEST SEQUENCE OF OPERATION

3.4.4.1 Transfer from Source 1 to Source 2 (Front Panel Test)

This sequence begins with Source 1 supplying power to the load continuously. The Source 1 Available and Source 1 Connected indicators are lit. The sequence ends with Source 2 (generator) assuming the load.

1. When the operator holds the Test button on the front panel for at least two seconds, the digital board starts a Time Delay to Engine Start (TDES) timer.
2. When the TDES timer expires, the genset receives a remote start signal. The engine starts and accelerates to rated speed.
3. When the alternator output reaches the "pickup" level, the Source 2 Available indicator lights. The transfer switch starts the Time Delay Normal to Emergency (TDNE) timer. When this time is complete, the controller proceeds to transfer the load in accordance with how it is configured.
 - If the controller is configured for OT with Sync Check, it monitors the two sources until they are in phase and transfers the load to Source 2. The Source 2 Connected indicator lights.
 - If the controller is configured for Programmed Transition and there is a programmed transition delay, the transfer switch stops in the Neutral position for the Time Delay Programmed Transition (TDPT) and then completes its transition to the Source 2 position. The Source 2 Connected indicator lights.
 - If the controller is configured for Closed Transition, it monitors the two sources until they are in phase, close Source 2 for a maximum of 100ms, and open Source 1. The Source 2 Connected indicator lights.

3.4.4.2 Transfer from Source 2 to Source 1 (Front Panel Test)

This sequence begins with Source 2 supplying power to the load. The Source 2 Available and Source 2 Connected indicators are lit. The sequence ends with Source 1 (utility) assuming the load.

1. When the operator pushes the Test button on the Front Panel, the digital board starts the Time Delay Emergency to Normal (TDEN) timer.
2. When the TDEN is complete, the controller proceeds to transfer the load in accordance with how it is configured.
 - If the controller is configured for OT with Sync check, it monitors the two sources until they are in phase and transfers the load to Source 1. The Source 1 Connected indicator lights.
 - If the controller is configured for Programmed Transition and there is a programmed transition delay, the transfer switch stops in the Neutral position for the Time Delay Programmed Transition (TDPT) and then completes its transition to the Source 1 position. The Source 1 Connected indicator lights.
 - If the controller is configured for Closed Transition, it monitors the two sources until they are in phase, closes Source 1 for a maximum of 100ms, and opens Source 2. The Source 1 Connected indicator lights.
3. A Time Delay Engine Cool-down (TDEC) for the genset is activated. When the engine cool-down delay expires, the genset shuts down and the Source 2 Available indicator goes out.

3.4.4.3 Test With or Without Load

The operator can test the transfer switch, generator, and power system locally. The operator can choose to transfer the load during the test or only test the generator. A test sequence can be activated either through the switch panel push button or through the PowerCommand network.

NOTICE

The Test button does not function unless the Front Panel Security Switch is in the Program position.

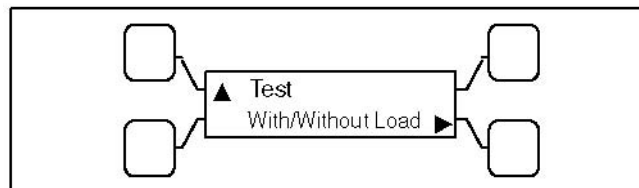


FIGURE 21. TEST WITH OR WITHOUT LOAD SUBMENU

3.4.4.4 Programmable Generator Exerciser

Programmable generator exercises and exercise exceptions are generally programmed to be recurring. They can be programmed from the PC service tool or the digital display, if available.

Level 1 controllers include two programmable generator exercises and two programmable exercise exceptions. All events can be set using the PC service tool or the digital display.

NOTICE

Early versions of software on Level 1 controllers allow for setting only one exercise period and one exercise exception using the digital display.

Level 2 controllers include eight programmable generator exercises and eight programmable exercise exceptions. All events can be set using the PC service tool or the digital display.

NOTICE

Early versions of software on Level 2 controllers allow for setting only two exercise periods and two exercise exceptions using the digital display.

All controllers have a push-button switch on the digital module that enables and disables the exerciser clock. The Real-Time clock must be set before exercise programs are entered.

For **utility-to-generator set** configurations: the exerciser clock initiates generator set start and run cycles at specified intervals for specified durations.

NOTICE

The exerciser is not used in utility-to-utility or generator set-to-generator set configurations.

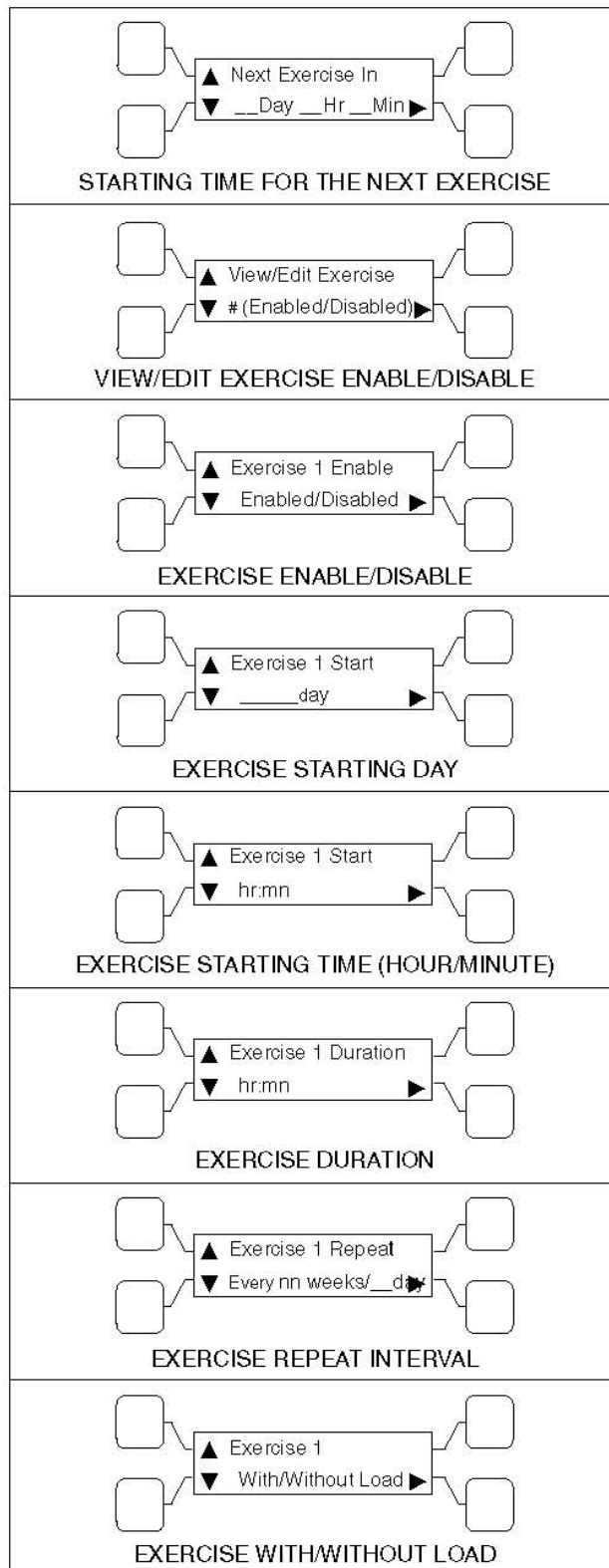


FIGURE 22. EXERCISE SUBMENUS

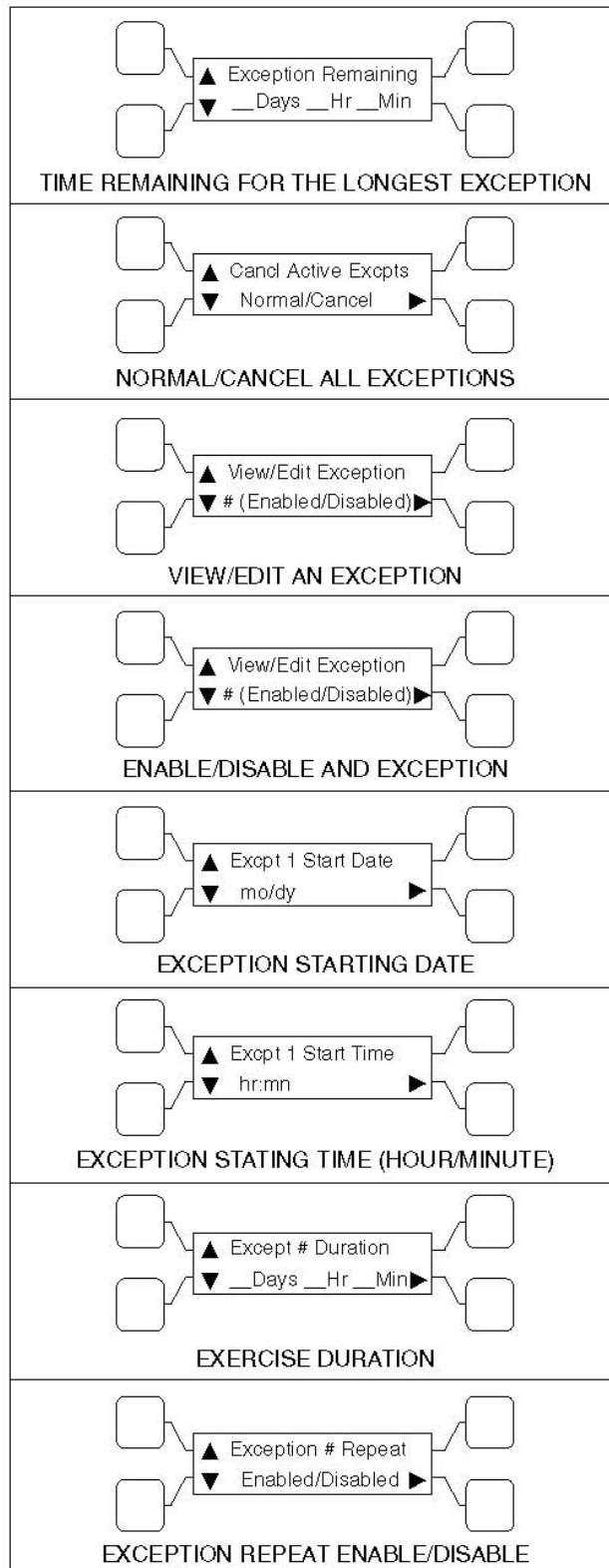


FIGURE 23. EXERCISE EXCEPTIONS SUBMENUS

3.4.4.5 Real-Time Clock

All controllers have a real-time clock that keeps track of the time and date. The controller uses the real-time clock to time and date stamp all events.

NOTICE
The clock is not set at the factory. To set the clock, use the PC service tool or the digital display.

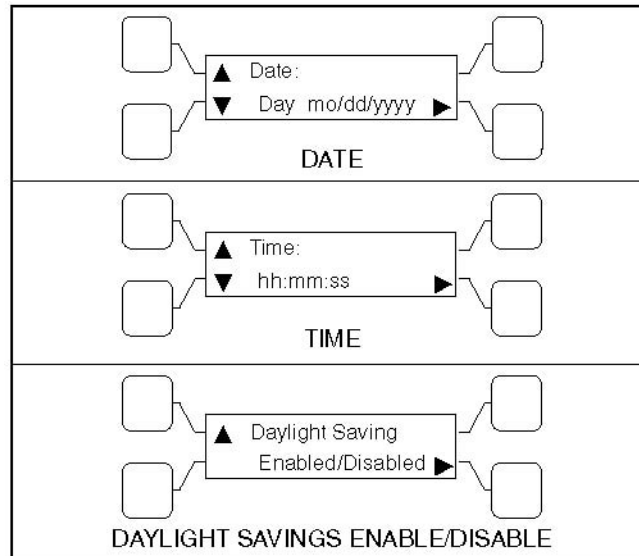


FIGURE 24. CLOCK SUBMENUS

3.4.4.6 Sleep Mode

After a period of screen inactivity (35 minutes), the digital display goes blank. Screen inactivity is when there is no user interaction with the menu system and when there are no events. The digital display is reactivated when an event occurs or when an operator touches one of the menu buttons.

In order to conserve controller battery power, the loss of utility power also causes the digital display to go blank. The digital display is reactivated when a second power source becomes available.

The status of the controller batteries can be viewed using the digital display.

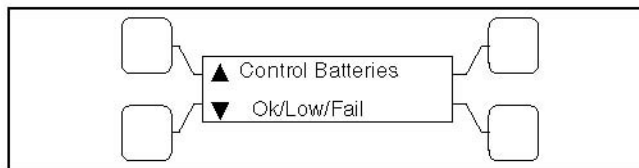


FIGURE 25. CONTROLLER BATTERIES STATUS SUBMENU

3.4.4.7 Remote Test Switch

The transfer switch can be wired with a remote test switch.

For **utility-to-generator set** applications, closure of a set of contacts across the remote test transfer input (TB2-5 and TB2-8) causes the transfer switch to sense a simulated utility power failure and sends a start/run signal to the generator set and transfers the load to the generator set when it becomes available.

For **utility-to-utility** applications, closure of a set of contacts across the remote test transfer input causes the transfer switch to sense a simulated power failure of the primary source and transfers the load to the backup source.

Opening a set of contacts across the remote test transfer input causes the transfer switch to sense that the primary source has been restored and transfers the load back to the primary source (Source 1).

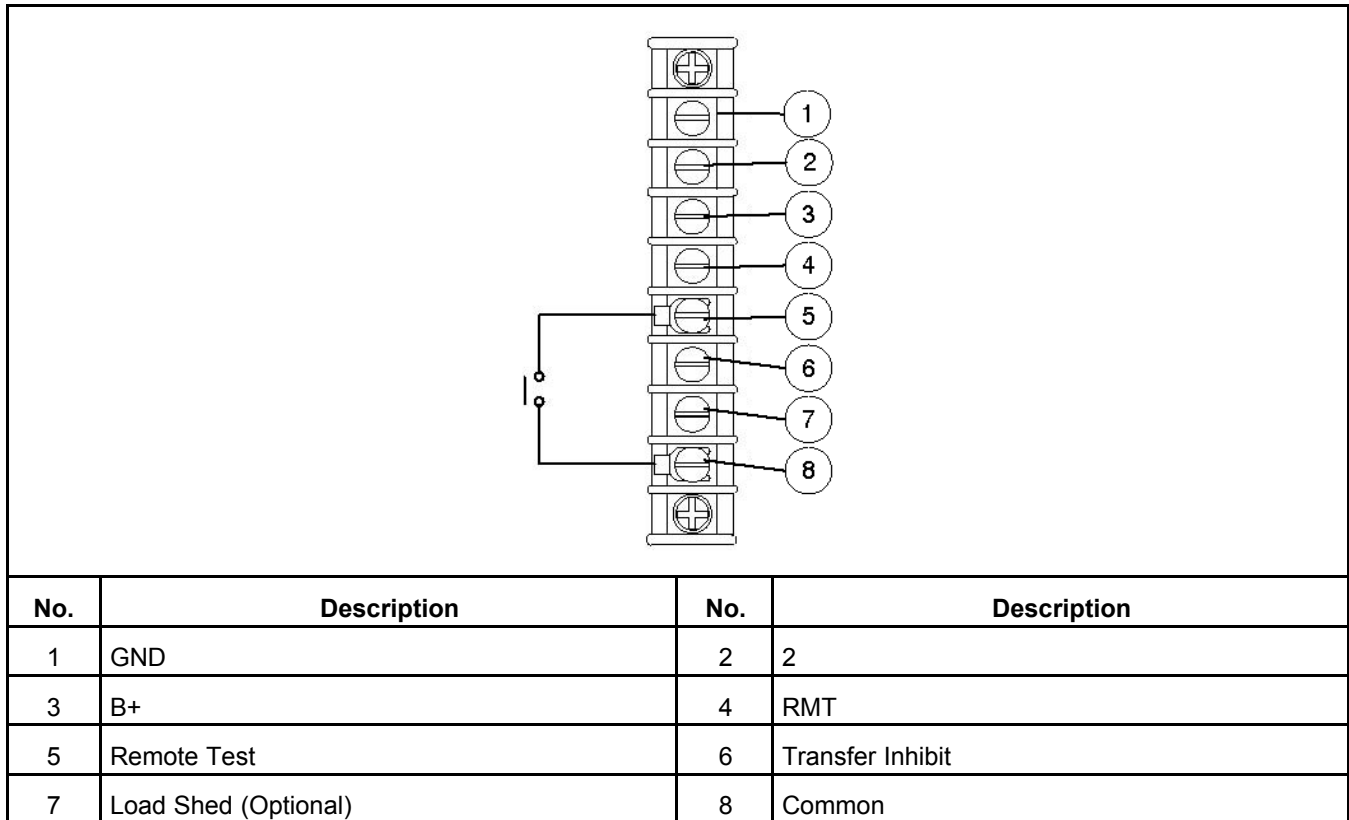


FIGURE 26. TB2 CONNECTIONS FOR REMOTE TEST TRANSFER

3.4.4.8 Remote Test Input

The transfer switch may be wired for a remote test input. The switch is used to start and stop manually initiated system tests. As with the control panel Test pushbutton, the remote test input can be configured to test with or without load.

A remote test input is set up by connecting a dry (voltage free) contact between TB2-5 and TB2-8. Closing the contact starts a test and opening the contact cancels the test. The Test LED flashes to signify the start of a test and stays on during the test.

Closing the contact causes the transfer switch to sense a (simulated) utility power failure and sends a start/run signal to the generator set . If the control is set up to test with load, the load is transferred to the generator set when the generator set becomes available. The Utility Power Available LED remains on to show that the utility did not fail.

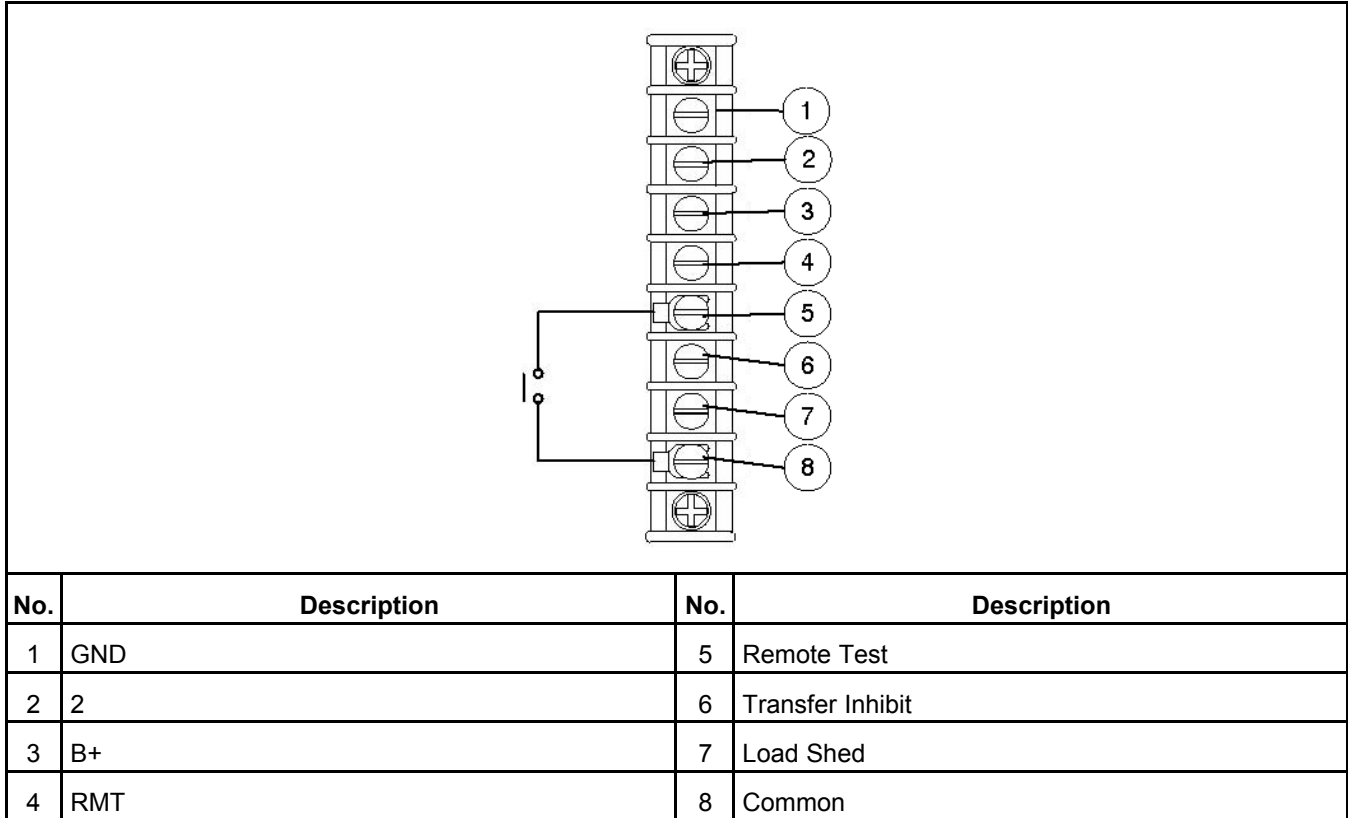


FIGURE 27. TB2 CONNECTIONS FOR REMOTE TEST TRANSFER

NOTICE

TB1 and TB2 will accept 22 AWG - 12 AWG wire with 3/8 inch (10 mm) strip. Torque to 9 in-lbs.

3.4.4.9 Transfer Inhibit (PowerCommand Control)

This feature is used to control load transfer to generator sets. When activated, load transfer will not take place unless the Override button on the switch panel is pressed or the transfer inhibit input is disabled. Transfer Inhibits are set up by connecting a remote contact between TB2-6 and TB2-8. Closing the contact enables the feature and opening the contact disables it.

In systems that have multiple closed transition transfer switches the transfer inhibit function should be used to make sure that multiple switches don't transfer at the same time. Refer to the section on closed transition ATS considerations.

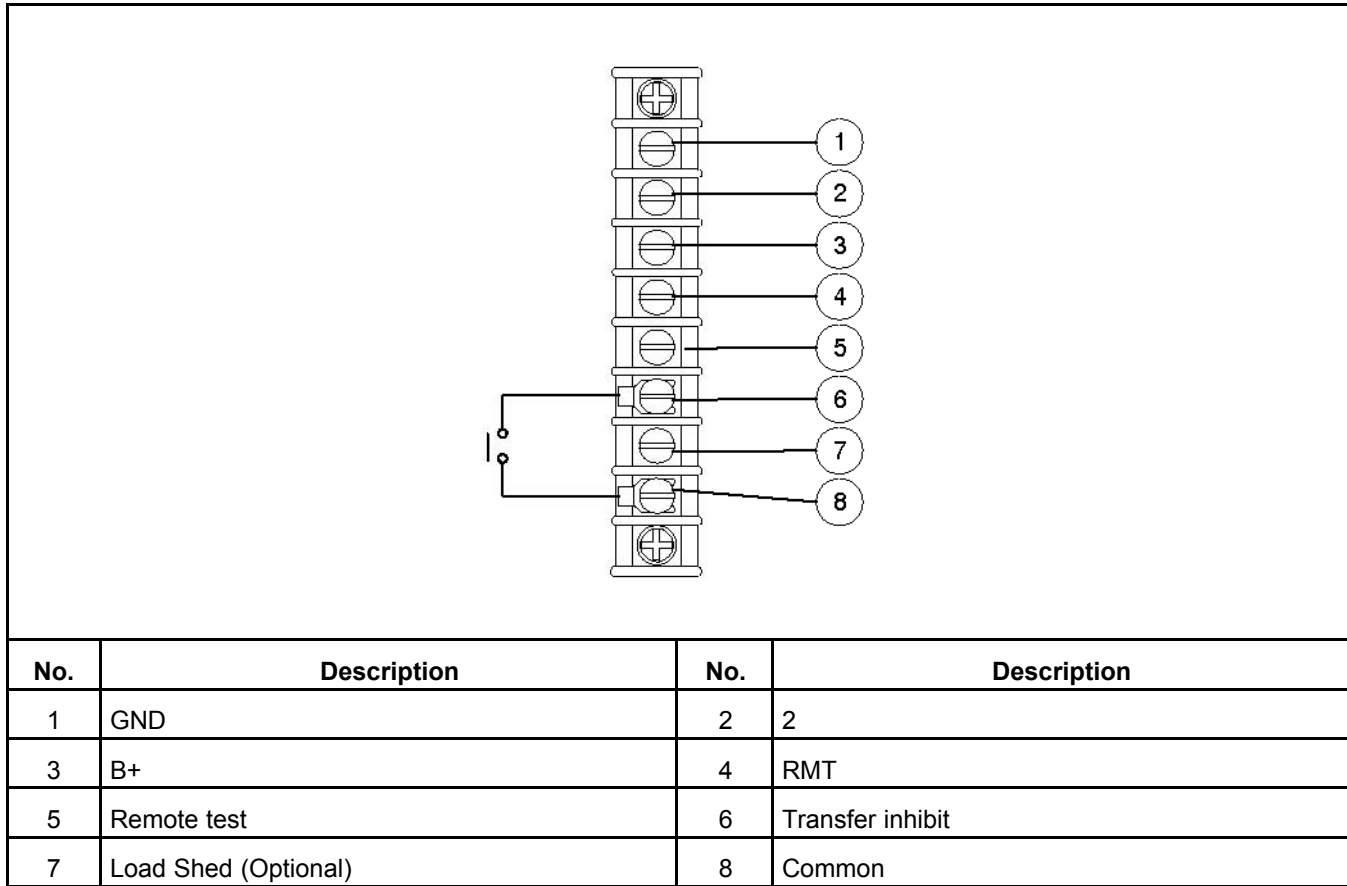


FIGURE 28. TB2 CONNECTIONS FOR TRANSFER INHIBIT

3.4.4.10 Retransfer Inhibit (PowerCommand Control)

This feature is used to prevent the ATS from automatically transferring the load back to Source 1 (or the preferred source in generator set-to-generator set applications). When activated, load transfer will not take place unless the Override button on the switch panel is pressed, the retransfer inhibit input is disabled, or Source 2 (or the backup source in generator set-to-generator set applications) fails.

In systems that have multiple closed transition transfer switches the retransfer inhibit function should be used to make sure that multiple switches don't transfer at the same time. Refer to the section on closed transition ATS considerations.

NOTICE
If Source 2 (or the backup source in generator set-to-generator set applications) fails, the Retransfer Inhibit is ignored.

Retransfer Inhibits are set up by connecting a remote contact between TB3-53 and TB3-54. Closing the contact enables the feature and opening the contact disables it. When enabled, the event is displayed on the front panel.

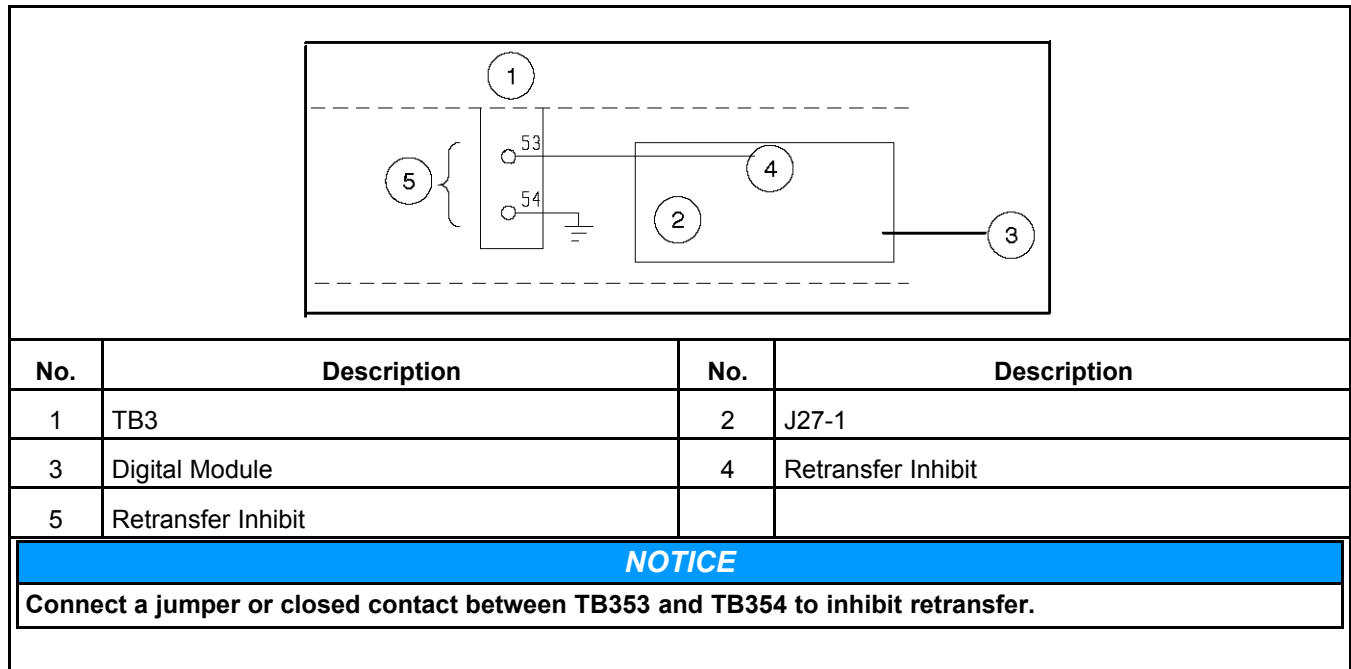


FIGURE 29. TB3 CONNECTIONS FOR RETRANSFER INHIBIT

3.4.4.11 Transfer Times

The controller senses and records the time it takes for the transfer switch to break from one source and reconnect to the other source.

The controller keeps track of open transition transfer times and provides an average open transition transfer time. The controller records the transfer time if the transition mode is an open transition with Sync Check or when a Programmed Transition is used and the Programmed Transition time delay is zero.

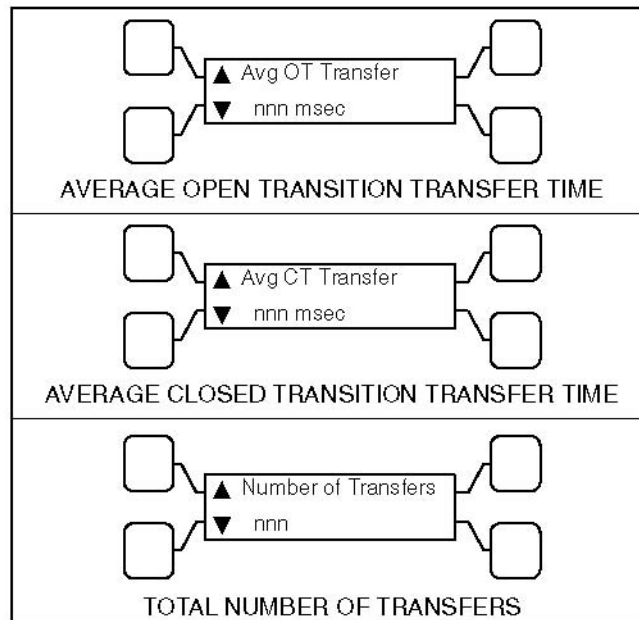


FIGURE 30. TRANSFER SUBMENU

3.5 Options

3.5.1 Battery Charger Options

Two battery chargers are available. One battery charger is rated for 2 amperes at 12 or 24 VDC. The other battery charger is rated for 15 amperes at 12 VDC or 12 amperes at 24 VDC.

A float-charge battery charger regulates its charge voltage to continuously charge without damage to the battery. As the battery approaches full charge, the charging current automatically tapers to zero amperes or to steady-state load on the battery.

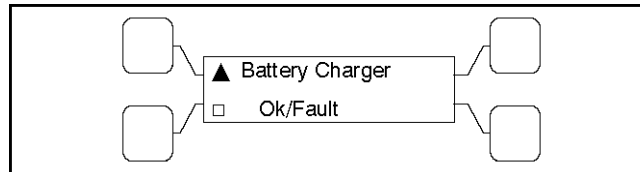


FIGURE 31. BATTERY CHARGER STATUS SUBMENU

3.5.1.1 2-Amp/10-Amp Float Battery Charger Option

A float-charge battery charger regulates its charge voltage to continuously charge without damage to the battery. As the battery approaches full charge, the charging current automatically tapers to zero amperes or to steady-state load on the battery.

Two chargers were available. One battery charger is rated for 10 amperes at 12 or 24 VDC. The other battery charger is rated for 2 amperes at 12 or 24 VDC.

- The 2-ampere battery charger has an ammeter to indicate charging current and a fuse to protect the battery charger circuit.
- The 10-ampere battery charger has three fuses (two on the AC input and one on the DC output), three fault display LEDs, and an ammeter for indication of charging current.

On the 10-ampere charger, three sets of (Form-C) alarm contacts (corresponding to the three fault LEDs) are also available. Using an optional alarm contact harness, these contacts can be wired by the installer to activate other audible or visual alarms.

Under normal operating conditions, the Low Bat and AC Fail relays are energized and the High Bat relay is de-energized. In response to a Low Bat or AC Fail condition, the appropriate normally energized relay (Low Bat or AC Fail) drops out. In response to a High Bat condition, the normally de-energized High Bat relay is energized.

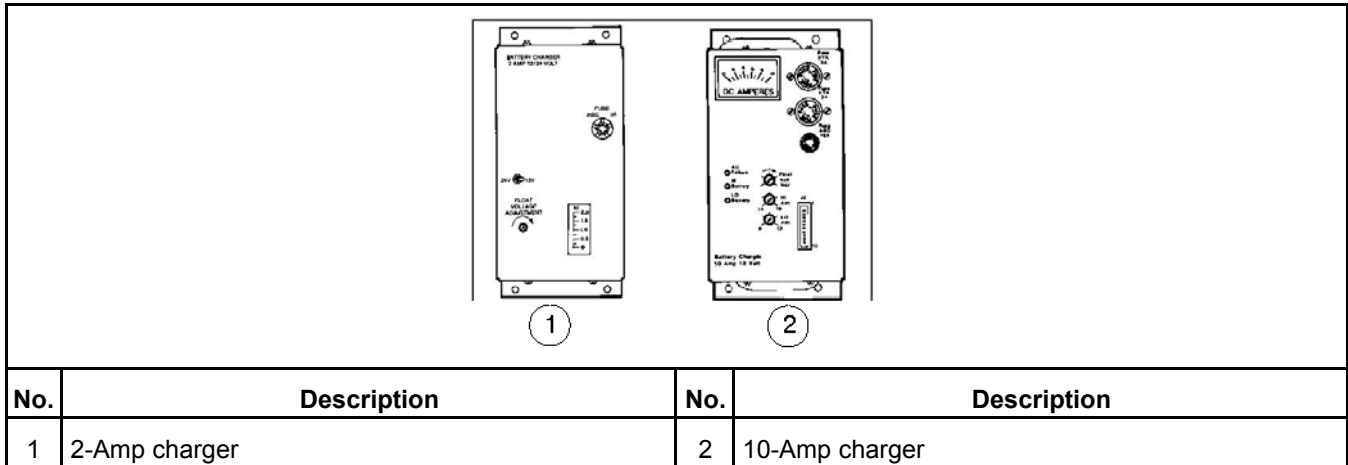


FIGURE 32. 2-AMP AND 10-AMP FLOAT BATTERY CHARGERS

3.5.1.2 2-Amp/15-Amp (12VDC), 12-Amp (24VDC) Float Battery Charger Option

A float-charge battery charger regulates its charge voltage to continuously charge without damage to the battery. As the battery approaches full charge, the charging current automatically tapers to zero amperes or to steady-state load on the battery.

Two battery chargers are available. One battery charger is rated for 2 amperes at 12 or 24VDC. The other battery charger is rated for 15 amperes at 12 VDC or 12 amperes at 24 VDC.

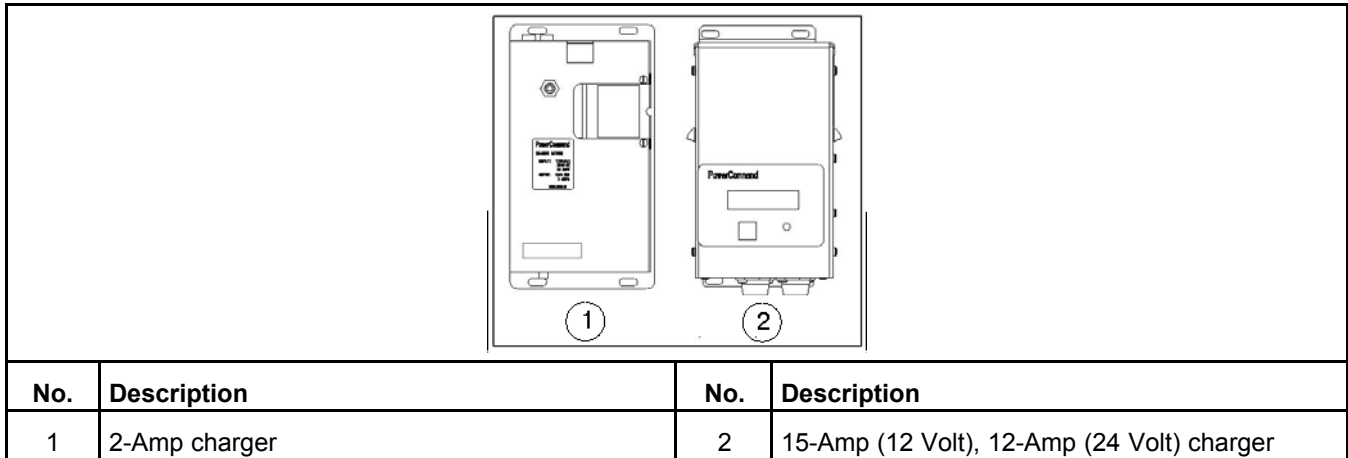


FIGURE 33. 2-AMP (12 OR 24VDC) AND 15-AMP (12VDC, OR 12-AMP (24VDC))

3.5.1.3 2-Amp Battery Charger

The 2-ampere battery charger has a 5 amp DC output circuit breaker switch on the front of the battery charger. The charger also includes a 5 amp AC fuse to protect the battery charger circuit.

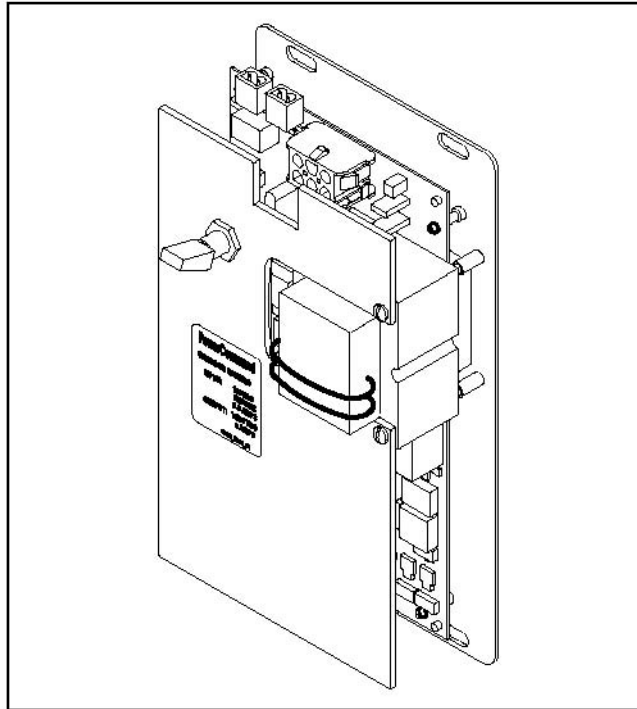


FIGURE 34. 2-AMP POWERCOMMAND BATTERY CHARGER

3.5.1.3.1 2-Amp Control Panel

The 2-amp battery charger control panel includes a digital display, a RESET button and an LED status indicator.

- The 2-line x 16-character digital display displays menus and faults.
- The RESET button is used to select menu options and to clear fault messages.
- The status LED displays the appropriate color for the following conditions.
 - **Green** - On solid indicates unit is charging
 - **Red** - On solid indicates a fault condition. The fault number is shown on the digital display.

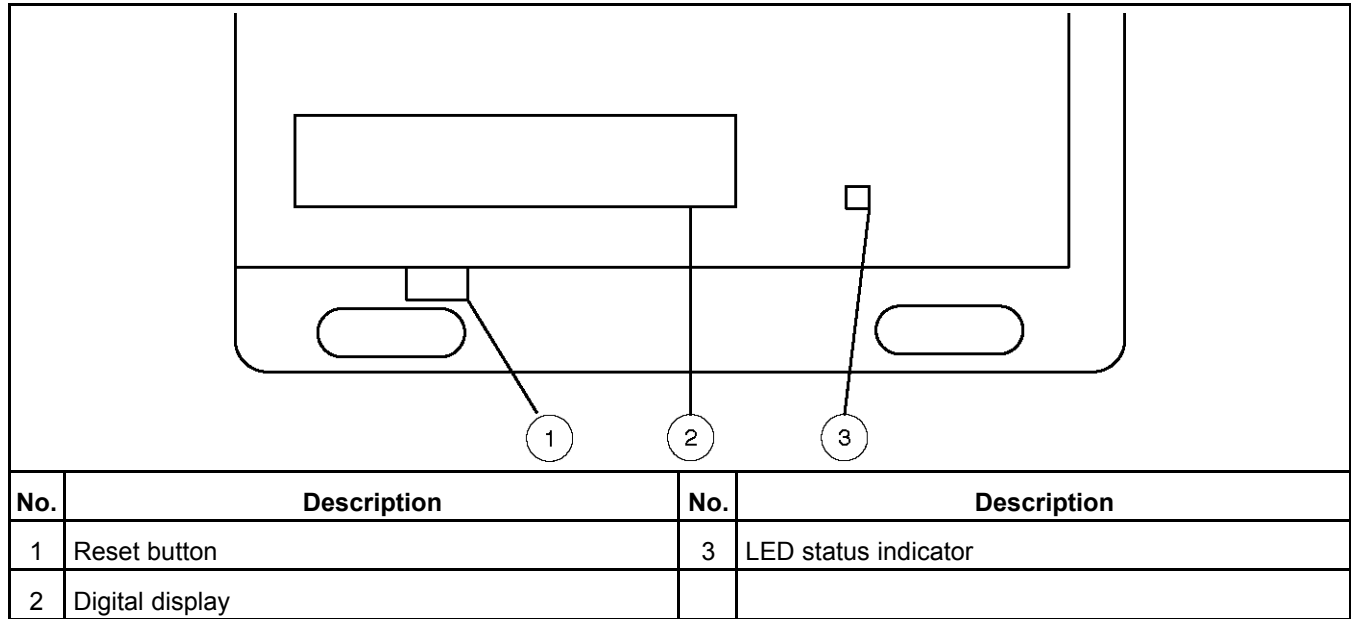


FIGURE 35. 2-AMP BATTERY CHARGER CONTROL PANEL

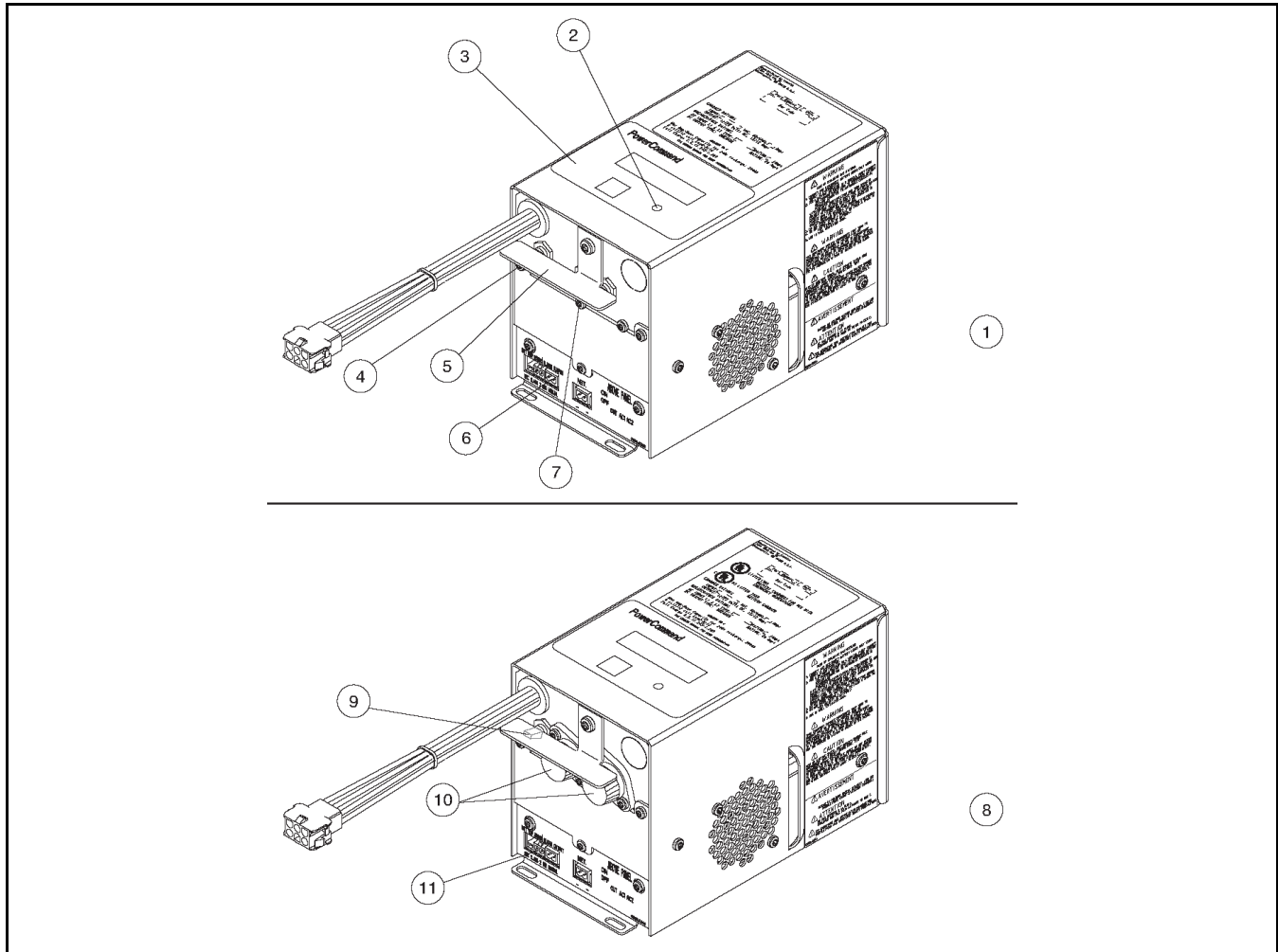
3.5.1.3.2 2-Amp Battery Charger Configuration

The **RESET** button on the control panel is used to configure the battery charger for the correct battery voltage. (More information on Setup menus is included in the Battery Charger Operator Manual.)

3.5.1.4 15/12-Amp Battery Charger

There are two types of 15/12-amp PowerCommand battery chargers. All 15/12-amp battery chargers have a 20 amp DC circuit breaker switch on the bottom of the battery charger.

- **The 120, 208, and 240 VAC battery chargers include:**
 - Two 10-Amp AC circuit breaker switches
 - A circuit breaker guard
- **The 277, 380, 416, and 600 VAC battery chargers include:**
 - Two AC fuse holders



No.	Description	No.	Description
1	120, 208 and 240 VAC battery chargers	7	AC input breaker
2	Status LED	8	227, 380, 416, 480 and 600 VAC battery chargers
3	Control panel	9	20-Amp DC output circuit breaker switch (shown in ON position)
4	DC output breaker	10	AC input fuse holders
5	Circuit breaker guard	11	Optional battery temperature sensor connector
6	Fault alarm output connector		

FIGURE 36. 15/12-AMP POWERCOMMAND BATTERY CHARGERS

3.5.1.4.1 Control Panel

The 15/12-amp charger control panel includes a digital display, a Reset button, and an LED status indicator.

- The 2-line x 16-character digital display displays menus and faults.
- The Reset button is used to select menu options and to clear fault messages.

- The status LED is displays the appropriate color for the following conditions.
 - **Green** - On solid indicates unit is charging
 - **Amber** - On solid indicates Equalizing
 - **Red** - On solid indicates a fault condition. The fault number is shown on the digital display.

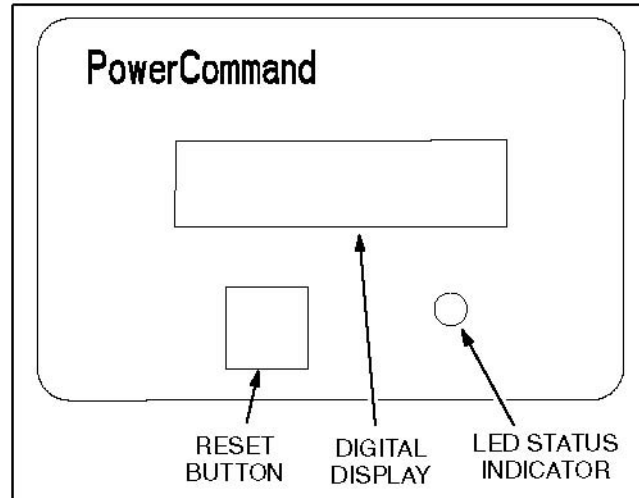


FIGURE 37. 15/12-AMP CHARGER CONTROL PANEL

3.5.1.4.2 Battery Charger Configuration

The **RESET** button on the control panel is used to configure the battery charger. (More information on Setup menus is included in the Battery Charger Operator Manual.)

- **Battery Voltage and Type** - The battery charger must be correctly configured, using the Setup menus, for the correct battery voltage and type before it is connected to the battery. The battery voltage can be set for 12 or 24 VDC (default = 12 VDC). The battery type can be set for Lead-Acid, Gel, or AGM batteries (default = Lead-Acid).

NOTICE

A factory installed battery charger is set up for the proper DC battery voltage requested on the production order, with the Lead-Acid battery type selected as the default.

- **Battery Equalization** - Battery equalization is available for lead-acid batteries that are completely charged, using the Equalize Battery screen in the Setup menus. When battery equalization is in process, the LED status indicator turns amber.

3.5.1.4.3 Optional Battery Temperature Sensor

A connector for an optional battery temperature sensor is located on the bottom of the battery charger. When used to monitor battery temperature, the optional battery temperature sensor is connected from the battery charger to the positive terminal of the battery. A fault message (fault code 2263) is displayed if the battery temperature is too high (reaches 131 °F (55 °C)).

3.5.1.5 Battery Charger Alarm Contacts Options

The optional 10-ampere battery charger can include three sets of Form-C relay contacts, as an additional option.

Under normal operating conditions, the Low Bat and AC Fail relays are energized and the High Bat relay is de-energized. In response to a Low Bat or AC Fail condition, the appropriate normally energized relay (Low Bat or AC Fail) drops out. In response to a High Bat condition, the normally de-energized High Bat relay is energized.

The contacts are rated for 4 amperes at 120 VAC or 30 VDC. Connections to these contacts are made at terminals 41-42-43 (AC Failure), 44-45-46 (High Battery Voltage) and 47-48-49 (Low Battery Voltage) of TB3.

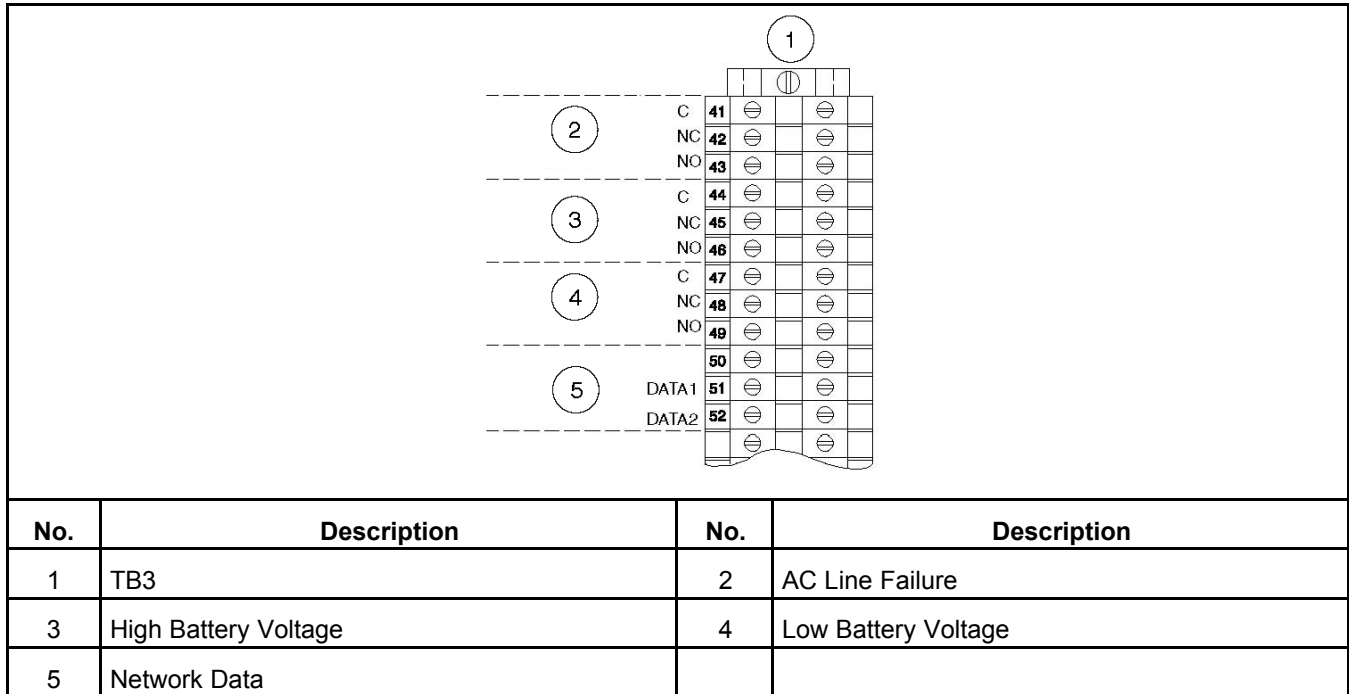


FIGURE 38. BATTERY CHARGER STATUS SUBMENU

3.5.1.5.1 Relay Module Option

The Relay Module provides nine sets of Form-C contacts and two sets of normally open contacts that are rated for 2 Amps at 30 VDC or 0.60 Amps at 120 VAC. The module includes the Elevator Pre-Transfer Delay Signal. The relay contacts may be used with other applications.

The Relay Module is located on the left inside wall of the transfer switch enclosure.

The Fail to Disconnect relay is active when the transfer switch remains connected to both sources for more than 100 msec during a closed transition transfer. It should be wired to the shunt trip of the breaker feeding the ATS on either the normal or the emergency side. Refer to the section on closed transition ATS wiring considerations.

The status of the relay module (OK or Not Installed) can be viewed with the digital display. This menu is included in the About submenus.

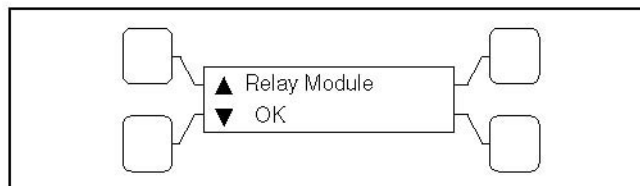


FIGURE 39. RELAY MODULE STATUS SUBMENU

3.5.1.5.2 Relay Signal Module

TABLE 1. RELAY SIGNAL MODULE

Relay Signal	Control Type
Source 1 Connected	Level 1 and Level 2
Source 1 Available	Level 1 and Level 2
Source 2 Connected	Level 1 and Level 2
Source 2 Available	Level 1 and Level 2
Test/Exercise Active	Level 1 and Level 2
Load Shed Active	Level 1 and Level 2
Fail to Transfer/Retransfer	Level 2
Fail to Synchronize	Level 2
Fail to Disconnect	Closed Transition Level 2
Elevator Pre-Transfer	Level 1 and Level 2
Transfer Switch Not In Auto	Level 1 and Level 2

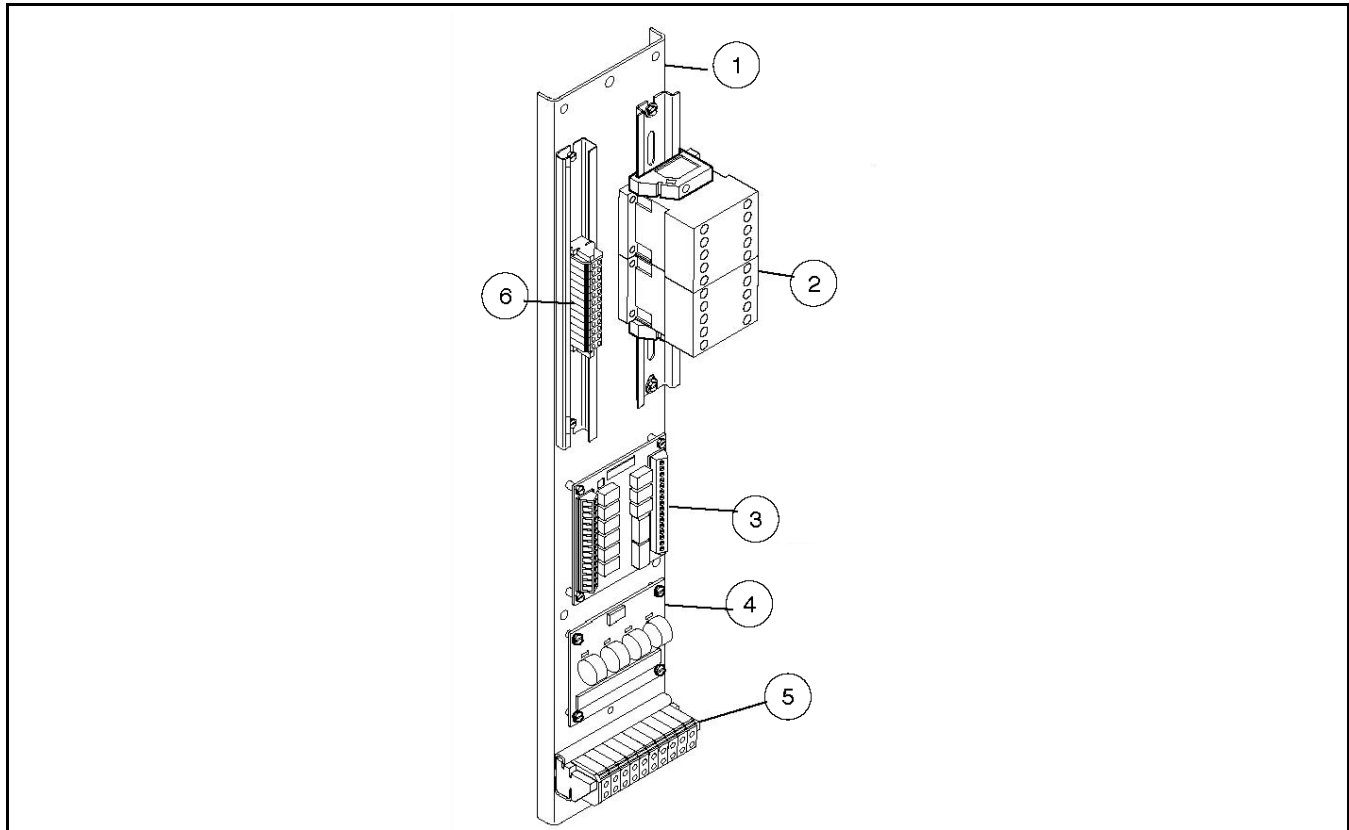
3.5.1.5.3 Auxiliary Relays Option

Auxiliary relays provide contacts for energizing external alarms, remote indicators and control equipment such as louver motors and water pumps.

All relays have two normally open and two normally closed contacts that are rated for 10 Amps at 600 VAC. Connections to the auxiliary relays are made directly to the relay terminals.

There are two types of auxiliary relay coils:

- 12 VDC
- 24 VDC



No.	Description	No.	Description
1	Mounting panel	4	Current module
2	Auxiliary relays	5	TB4
3	Relay module	6	TB3

FIGURE 40. CONTROL WIRING CONNECTIONS

3.5.2 PowerCommand Network Interface Option

The PowerCommand® network interface option includes a PowerCommand Network Communications Module (NCM) that provides a connection to the PowerCommand network. The module is LonWorks compatible for integration into customer monitoring strategy.

The Network Interface Module is only enabled with the PC service tool.

For installations that include an NCM, stranded twisted pair network cable is connected to the left side of terminals 51 and 52 on TB3. The NCM is located on the left side of the digital module.

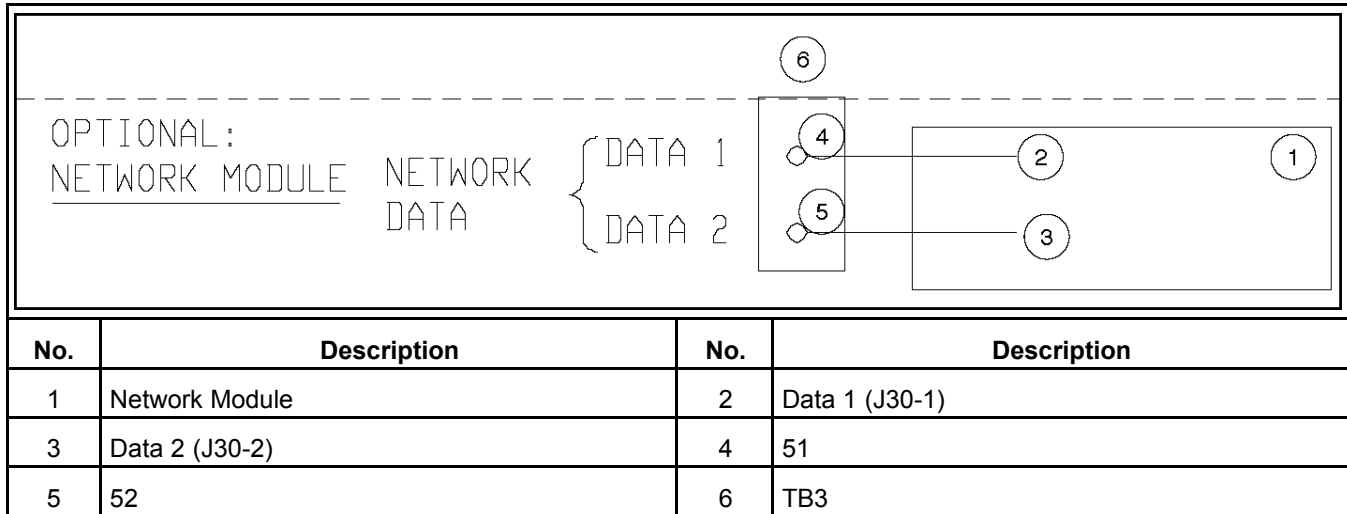


FIGURE 41. NETWORK COMMUNICATIONS MODULE CONNECTIONS

The status of the NCM (OK, Not Installed, Not Enabled or Not Available) can be viewed with the digital display. This menu is located in the About submenus.

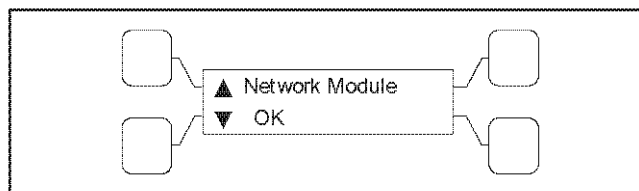


FIGURE 42. NETWORK MODULE STATUS SUBMENU

NOTICE

Early production NCMs included two Lithium batteries and a battery hold-down bracket. Current production NCMs no longer use batteries.

3.5.2.1 Network Sequencer

When an NCM is installed, controllers can include up to eight timed network variables to use for turning on loads in sequence after a transfer, a retransfer or both. Each variable can be delayed up to 60 seconds for each of the outputs. The network variables are intended to activate relays on the Network Digital Input/Output Module (DIM). The DIM is located remotely from the transfer switch.

The Sequencer feature allows the user to send a predetermined sequence of network event announcements. The announcements are sent in a timed, sequential order and are used to turn ATS loads off and on. When used, a few seconds should be allowed between load steps to allow the generator voltage and frequency to stabilize.

The Sequencer submenus, available through the digital display, can only be viewed if the NCM is installed and enabled. These menus allow the user to enable/disable the feature, set the operational mode, activate up to eight relay output signals, and set an output time delay from 0 to 60 seconds for each of the outputs. Additional information on how to adjust these values is included in the Network Manual.

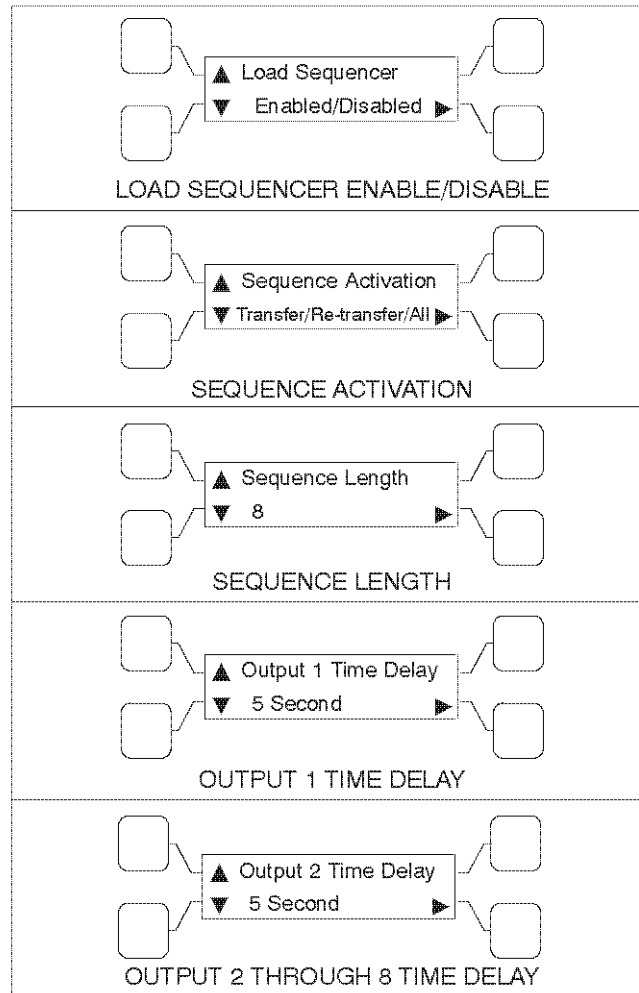


FIGURE 43. SEQUENCER SUBMENUS

3.5.2.2 Network System Device Status

If an NCM is installed, the user can view the status of up to 32 LonWorks networked devices through the digital display. The status of networked generator sets, additional ATSS, and the Master Control (if connected) can be viewed.

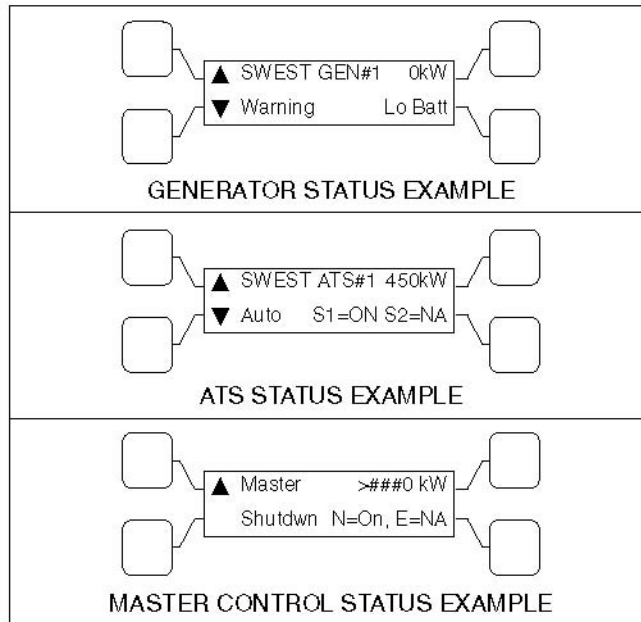


FIGURE 44. SYSTEM SUBMENUS

3.5.2.3 Network Communications Module (NCM)

NOTICE

The current Network Communications Module being used on OTPC transfer switches includes a self-installation feature. To self-install, press and hold the Service button (S3) for at least two seconds until the Node "OK" LED (DS3) begins flashing

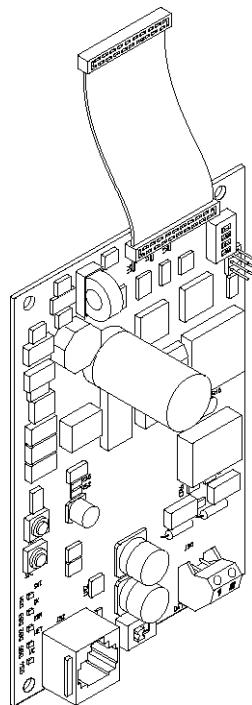


FIGURE 45. NETWORK COMMUNICATIONS MODULE (NCM)

3.5.2.4 Network Communications Module (NCM)

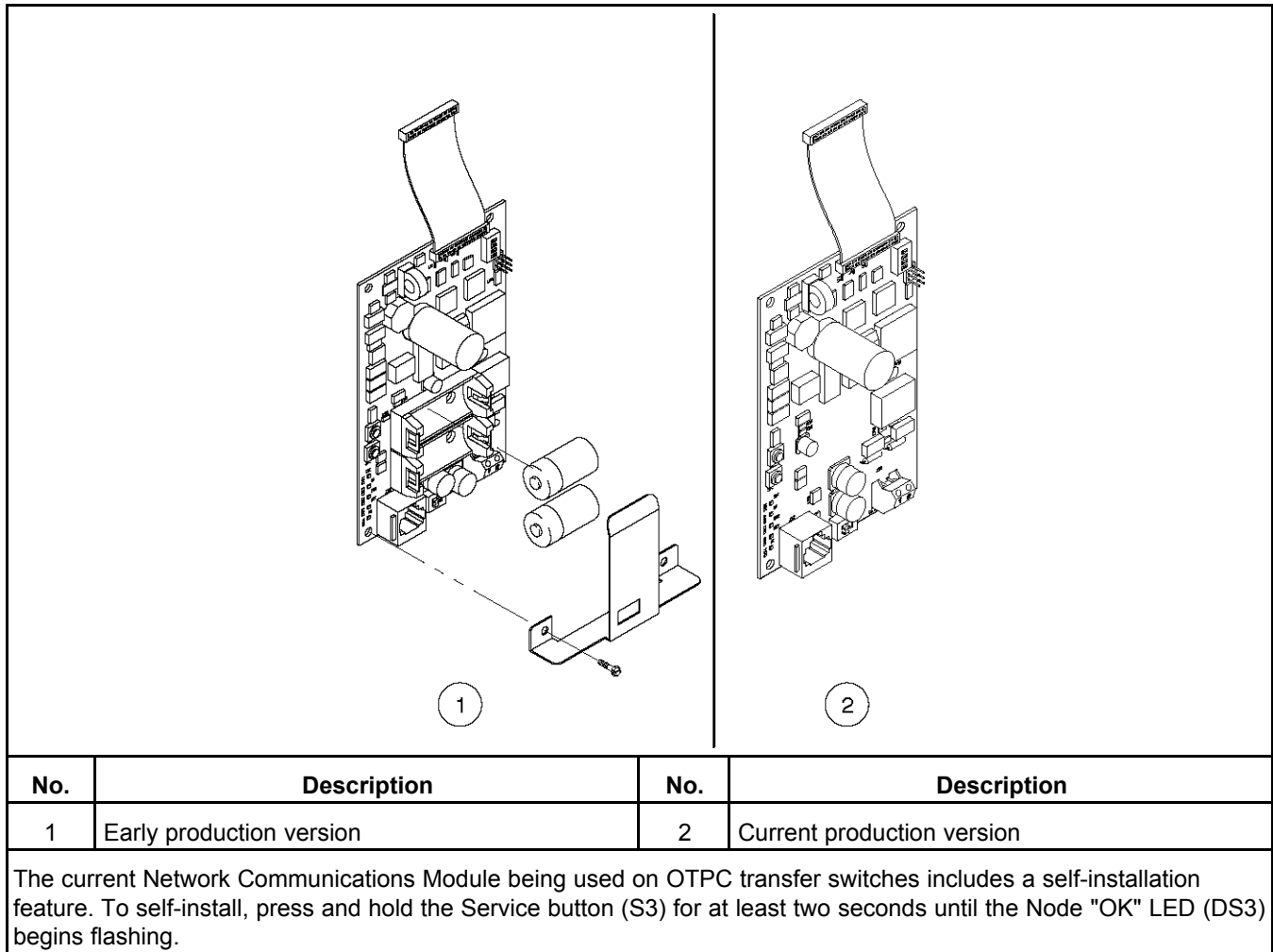


FIGURE 46. NETWORK COMMUNICATIONS MODULE (NCM)

3.5.3 Load Sequencing Option

Controllers can include up to eight timed network variables to use for turning on loads in sequence after a transfer, a retransfer, or both. The Network Communications Module (NCM) must be installed. Each variable can be delayed up to 60 seconds after the preceding variable. The network variables are intended to activate relays on the Network Digital Input/Output Module (DIM). The DIM is located remotely from the transfer switch.

3.5.4 Load Current and Power Sensor Option

Three-phase Level 2 controllers can include a load current and power sensor (Current Module). The control senses the four load currents (three line currents and the neutral current), three load voltages, and three power factor angles. The control calculates the real load power and the apparent load power.

The load current sensing feature is active on Level 2 controllers when the Current Module is installed and connected to the Digital Module.

The control issues a warning when the neutral current exceeds a user specified value between 100 and 150% of the rated current during a specified time period between 10 and 60 seconds.

The warning threshold (100 - 150%) and time delay (10 - 60 sec) can only be set with the PC service tool. The status of the load current module (OK or Not Installed) can be viewed with the digital display. This menu is included in the About submenus.

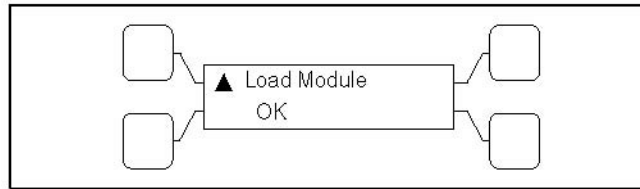


FIGURE 47. LOAD CURRENT MODULE STATUS SUBMENU

3.5.5 Source 1 and Source 2 Connected Relays

The Source 1 and Source 2 Connected relays are energized when their respective power sources are available, ready to produce power and connected to the load.

These relays are latching relays and will retain their last state in case of a complete loss of power.

3.5.6 Source 1 and Source 2 Available Relays

The Source 1 and Source 2 Available relays are energized when their respective power sources are producing power.

3.5.7 Test or Exercise Active Relay

The Test or Exercise Active relay is energized when the system is in test or exercise mode.

3.5.8 Load Shed Relay

The Load Shed relay is active when the transfer switch has been commanded to disconnect the load from power Source 2.

3.5.9 Fail to Transfer/Retransfer Relay

The Fail to Transfer/Retransfer relay is energized whenever the transfer switch does not *open* or *close* within a set time interval after the command to transfer or retransfer.

3.5.10 Fail to Synchronize Relay

The Fail to Synchronize relay is energized when the two power sources did not come into synchronicity (frequency, voltage, phase) within a two-minute limit; during a transfer between two live sources.

3.5.11 Fail to Disconnect Relay

The Fail to Disconnect relay (causes a fault) is used only in closed transition modes. The relay is energized whenever the two sources remain parallel longer than a set time limit.

3.5.12 Elevator Pre-Transfer Delay Relay

The **Elevator Pre-Transfer Delay** signal delays transfer (or retransfer) for a specified time to give warning to an elevator control that a transfer (or retransfer) is about to occur.

This time delay (TDEL) is adjustable over a range of 0 to 60 seconds. The default value is 0 seconds. The value is set with the PC service tool or the digital display, if available.

3.5.13 Not-in-Auto Relay

The ATS **Not-In-Auto** relay is energized when any one of the following occurs:

- Motor Disconnect Switch is set to Off
- Wiring harness is disconnected from J12 on the Power Module
- Controller is set to Offline

3.6 Control Panel (PowerCommand Control)

The PowerCommand control features are divided into three groups:

- **Bar graph meter panel** - is not available on Level 1 and is optional on Level 2 controls.
- **Switch panel** - is standard on all transfer switches.
- **Digital display** - is standard on Level 2 controls and is optional on Level 1 controls.

3.6.1 Bar Graph Meter Panel

The bar graph meter panel is not available on Level 1 controls and is optional on Level 2 controls.

This feature includes:

- **A three phase AC ammeter** - displays percent of full load currents in amperes (1-125%).
- **A power meter** - displays the real power in percent of full load in kilowatts (0-125%).
- **A power factor meter** - displays the real power delivered to the load (1.0 - 0.6 lagging) and (1.0 - 0.9 leading).
- **A frequency meter** - displays the output frequency (percent of nominal frequency), of the power source connected to the load (70-110%).
- **A three phase AC voltmeter** - displays percent of line to neutral voltages of the power source connected to the load (70-110%).

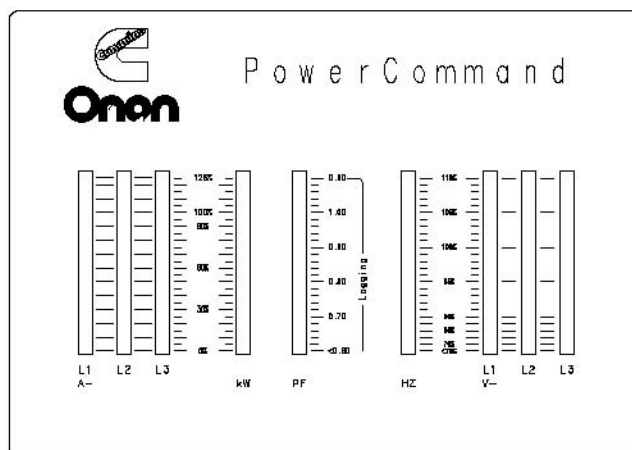


FIGURE 48. BAR GRAPH METER PANEL

3.6.2 Switch Panel

The switch panel is a standard feature on all PowerCommand controlled (PC) transfer switches. It contains six indicator lamps and three membrane switches.

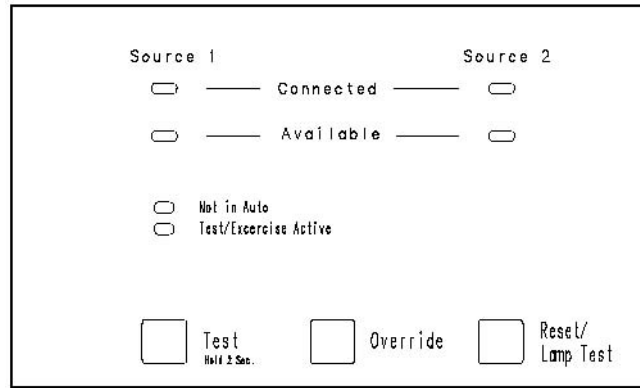


FIGURE 49. SWITCH PANEL

Source 1 Available and Source 2 Available: These indicators are lit when the corresponding sources have acceptable output voltage and/or frequency. These indicators can be lit simultaneously.

Source 1 Connected: This indicator is lit when the transfer switch is in the normal position and Source 1 is supplying power to the load.

Source 2 Connected: This indicator is lit when the transfer switch is in the emergency position and Source 2 is supplying power to the load.

Not in Auto: For all configurations, this indicator flashes when the transfer switch is not in Auto.

NOTICE

The transfer switch is not in Auto when any of the following signals are active:

- Motor Disconnect Switch is set to OFF
- Wiring harness is disconnected from J12 on the power module
- Controller is set to OFFLINE

Test/Exercise Active: The Test/Exercise Active indicator is lit when the transfer switch has a test or exercise in progress.

Test: For utility-to-generator set applications, the Test switch sends a start signal to the generator set designated Source 2 and blinks the Test/Exercise Active indicator.

After the start and transfer time delays or source synchronization, Source 2 starts and assumes the load (if the With Load option is selected).

- Press the Test switch again to end the test; the Test/Exercise Active indicator goes out and Source 1 resumes as the source of power.

Override: The Override switch terminates most system time delays.

NOTICE

The Program Transition (TDPT), Elevator Signal (TDEL) and Engine Cool Down (TDEC) are not affected by this switch.

- If you press this switch while the Transfer Inhibit input is active, the switch proceeds to transfer the load.
- If you press this switch while the Retransfer Inhibit input is active, the switch proceeds to retransfer the load.

Reset/Lamp Test: The Reset/Lamp Test switch turns on all control panel indicators. This switch also acknowledges events.

3.6.2.1 Security Key Switch Option

The optional security key switch is located on the front panel. When it is in the Panel Lock position, it disables the front panel input switches, Test and Override. It also prevents changes to the digital display from the setup menus; however, the current values are displayed. Changes can be made when the switch is in the Program position.

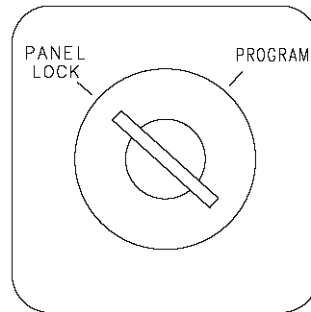


FIGURE 50. SECURITY KEY SWITCH

3.6.3 Digital Display

The digital display is standard on Level 2 controls and optional on Level 1 controls. It contains a 2-line by 20-character digital display module and 6 momentary contact membrane switches. The module displays the menu system. The switches are used to navigate through the menu system.

Each menu indicates the function of the four buttons at the sides of the display module. Not all buttons are active for each menu.

Sleep Mode: After a period of screen inactivity (no user interaction with the menu system and no occurring events), the digital display goes blank. The digital display is reactivated when an event occurs or when an operator touches one of the menu buttons.

In order to conserve controller battery power, the loss of utility power also causes the digital display to go blank. The digital display is reactivated when a second power source becomes available.

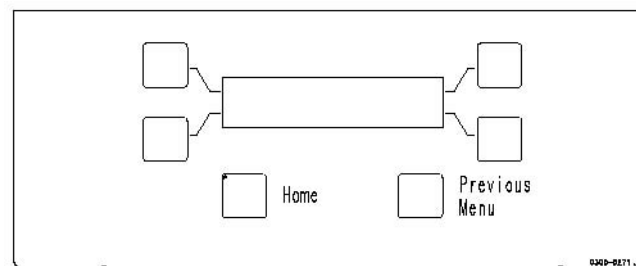


FIGURE 51. DIGITAL DISPLAY

3.6.4 Time Delay Glossary

Time Delay	Abbreviation	Definition
Start Time Delay	TDES	This delay is adjustable from 0 to 15 seconds in 1 second increments on Level-1 controls and from 0 to 120 seconds in 1 second increments on Level-2 controls. The default value is 3 seconds for both. This brief time delay prevents the generator set from starting during short power interruptions. Timing starts at the Source 1 power interruption. If the duration of interruption exceeds the delay time, the control system signals the generator set to start. The value is set with the PC service tool or the digital display when it is available.
	TDES-A and TDES-B	For generator set-to-generator set applications, TDES-A is the start time delay to start Source 2 generator set and TDES-B is the start time delay to start Source 1 generator set. For utility-to-utility applications, TDES-A and TDES-B are not available.
Stop Time Delay (Cool-down)	TDEC	This delay is adjustable from 0 to 30 minutes in 1 minute increments. The default value is 10 minutes. It begins timing when the load is retransferred to Source 1. At the end of the delay, the stop signal is sent to the generator set. During this time delay, the generator set cools down at no load before stopping. The value is set with the PC service tool or the digital display when it is available.
	TDEC-A and TDEC-B	For generator set-to-generator set applications, TDEC-A is the stop time delay to stop Source 2 generator set and TDEC-B is the stop time delay to stop Source 1 generator set. For utility-to-utility application, TDEC-A and TDEC-B are not available.
Transfer Time Delay	TDNE	This delay begins when Source 2 (typically the generator) voltage and frequency reach the settings of the control. After the delay, the transfer switch transfers the load to Source 2. This brief time delay allows the generator set to stabilize before the load is applied. It has an adjustable range of 0 to 120 seconds in 1 second increments. The default value is 10 seconds. The value is set with the PC service tool or the digital display when it is available. TDNE is the delay from preferred source to backup source in utility-to-utility applications and gen-to-gen applications.
Retransfer Time Delay	TDEN	This delay begins the moment Source 1 line voltage and frequency return to specified values. After the delay, the transfer switch can retransfer the load to Source 1. The delay allows the Power Source 1 to stabilize before retransfer. It has an adjustable range of 0 to 30 minutes in 1 minute increments. The default value is 10 minutes. The value is set with PC service tool or the digital display when it is available. TDEN is the delay from backup source to preferred source in utility-to-utility applications and gen-to-gen applications.
Programmed Transition Time Delay	TDPT	This delay is the time that the switch spends in the neutral position, when neither source is connected to the load, during a transfer or a retransfer. It begins when the switch moves to the neutral position and opens the contacts of the switch connected to the load. After the delay the control transfers the load. This time delay allows residual voltage of inductive loads to decay sufficiently before connecting it to another source. It is adjustable from 0 to 60 seconds in 1 second increments. The default value is 0 seconds. The proper adjustment is a function of the load. This feature is enabled by default. The value is set with the PC service tool or the digital display when it is available.

Time Delay	Abbreviation	Definition
Elevator Pretransfer Time Delay	TDEL	The Elevator Pre-Transfer Delay Signal delays transfer (or retransfer) for a specified time to give warning to an elevator control that a transfer (or retransfer) is about to occur. It is adjustable from 0 to 60 seconds in 1 second increments. The default value is 0 seconds. This feature is enabled by default. The value is set with the PC service tool or the digital display when it is available.

This page is intentionally blank.

4 Operation

4.1 Manual Operation

The transfer switch has operator handles for manually transferring the load. Manual operation must be performed by qualified personnel under **No-Load Conditions** only.

4.1.1 Manual Operation - 40 to 1000 Amp Switches

⚠ WARNING

Manual operation of the transfer switch under load presents a shock hazard that can cause severe personal injury or death. Do not attempt to operate switch manually when it is under load. Follow the “Safety Related Work Practices” listed in NFPA 70E.

1. Open the cabinet door of the automatic transfer switch.
2. Move the Motor Disconnect switch to the Off position.
3. **Transfer - from Source 1 (Normal) to Source 2 (Emergency):**
 - a. Pull the upper manual operator handle down.
 - b. Push the lower manual operator handle down.
4. **Retransfer - from Source 2 to Source 1:**
 - a. Pull the lower manual operator handle up.
 - b. Push the upper manual operator handle up.
5. Before moving the Motor Disconnect switch back to the Auto position, remember the transfer switch transfers the load to the active power source. If both power sources are available, it transfers the load to the Source 1 or to the preferred source.

⚠ WARNING

Automatic transfer switch operation results in rapid movement of the manual operator handles and presents a hazard of severe personal injury. Keep hands clear of handles when switching back to automatic operation.

6. Move the Motor Disconnect switch to the Auto position.
7. Close the cabinet door.

4.1.2 Manual Operation - 1200 to 4000 Amp Switches

The transfer switch has operator handles that are intended for maintenance use only. Manual operation must be performed by qualified personnel under **NO-LOAD CONDITIONS ONLY**. Use the following procedure:

⚠ WARNING

Manual operation of the transfer switch under load presents a shock hazard that can cause severe personal injury or death. Do not attempt to operate switch manually when it is under load. Follow the “Safety Related Work Practices” listed in NFPA 70E.

4.1.2.1 Manual Transfer to Source 1

⚠ WARNING

Manual operation of the transfer switch under load presents a shock hazard that can cause severe personal injury or death. Do not attempt to operate switch manually when it is under load. Follow the “Safety Related Work Practices” listed in NFPA 70E.

If you determine that Source 1 is available but the transfer switch does not automatically retransfer, perform this procedure to manually retransfer to Source 1.

1. Open the Source 2 and Source 1 disconnect switches or breakers that feed the transfer switch. If there is no Source 2 side disconnect, turn off the generator set.
2. When you are certain that neither power source is supplying power to the transfer switch, open the transfer switch cabinet door and turn the Motor Disconnect switch to OFF.

⚠ WARNING

Manual operation of the transfer switch under load presents a shock hazard that can cause severe personal injury or death. Do not attempt to operate switch manually when it is under load.

3. A manual operating handle is provided with the transfer switch. The handle is a steel rod or tube, with a knob or hand grip on one end. On standard transfer switches, there are two manual operator slots - one for the contacts of each power source.
 - a. Insert the handle in the slot for the Source 1 (Normal) contacts and open the Source 1 contacts.
 - b. Insert the handle in the slot for the Source 2 (Emergency) contacts and close the Source 2 contacts. Be certain to push the handle all the way to the LOCK position. A distinct over-center locking action can be felt.
 - c. Return the handle to its storage position.

⚠ WARNING

Automatic transfer switch operation results in rapid movement of the manual operator mechanism and presents a hazard of severe personal injury if the operator handle is engaged in the mechanism. Remove the handle and place it in its storage position.

4. After the switch has been transferred to Source 1 and the operator handle has been removed from the mechanism, close and lock the handle door.
5. Close the Source 2 and Source 1 disconnect switches or breakers that feed the transfer switch. Start the generator set if it was previously turned off.
6. If the transfer switch is not functioning correctly, call your dealer or distributor immediately.

4.1.2.2 Manual Transfer to Source 2

⚠ WARNING

Manual operation of the transfer switch under load presents a shock hazard that can cause severe personal injury or death. Do not attempt to operate switch manually when it is under load. Follow the “Safety Related Work Practices” listed in NFPA 70E.

If you determine that Source 2 is available but the transfer switch does not automatically transfer, perform this procedure to manually transfer to Source 2.

1. Open the disconnect switches or breakers that feed the transfer switch. If there is no Source 2 disconnected, turn off the generator set.
2. When you are certain that neither power source is supplying power to the transfer switch, open the transfer switch cabinet door and turn the Motor Disconnect switch to OFF.

⚠ WARNING

Manual operation of the transfer switch under load presents a shock hazard that can cause severe personal injury or death. Do not attempt to operate switch manually when it is under load.

3. A manual operating handle is provided with the transfer switch. The handle is a steel rod or tube, with a knob or hand grip on one end. On standard transfer switches, there are two manual operator slots - one for the contacts of each power source.
 - a. Insert the handle in the slot for the Source 1 (Normal) contacts and open the Source 1 contacts.
 - b. Insert the handle in the slot for the Source 2 (Emergency) contacts and close the Source 2 contacts. Be certain to push the handle all the way to the LOCK position. A distinct over-center locking action can be felt.
 - c. Return the handle to its storage position.

⚠ WARNING

Automatic transfer switch operation results in rapid movement of the manual operator mechanism and presents a hazard of severe personal injury if the operator handle is engaged in the mechanism. Remove the handle and place it in its storage position.

4. After the switch has been transferred to Source 2 and the operator handle has been removed from the mechanism, close and lock the handle door.
5. Close the disconnect switches or breakers that feed the transfer switch. Start the generator set if it was previously turned off.
6. If the transfer switch is not functioning correctly, call your dealer or distributor immediately.

4.2 Automatic Operation

For utility-to-genset and genset-to-genset configurations, the generator set control must also be set for automatic (in the AUTO position) operation.

For automatic operation of the transfer switch, place the following control switches in the following positions:

4.2.1 Motor Disconnect Switch

For automatic operation of the transfer switch, place the Motor Disconnect switch in the **AUTO** position.

4.3 System Testing

4.3.1 Generator Set Manual Start Test

This test is used with utility-to-genset applications only.

1. Set the Test With/Without Load variable to the Without Load value.
2. Press and hold the Test switch for two seconds. The generator set starts and runs after the start time delay.
3. At the end of the test period, press the Test switch again. The generator cools down and stops.

4.3.2 With-Load Standby System Test

1. Set the Test With/Without Load variable to the With Load value (refer to the Digital Display Menu System section or the PC service tool for details).

NOTICE

The Test With/Without Load variable must be set to the With Load value in order to test with load.

2. Press and hold the Test switch for two seconds. To bypass the transfer time delay and cause a faster load transfer, press the Override switch. The generator set starts and assumes the load after the start time delay. If the utility (normal) power source is interrupted, the control will terminate the test and re-transfer the load to utility when available (acceptable).
3. At the end of the test period, press the Test switch again. To bypass the re-transfer time delay and cause a faster load re-transfer, press the Override switch. The generator stops after the stop time delay.

4.4 Generator Set Exercise

Run the generator for at least 30 minutes once each week with at least 50% load (if possible). If you do not want to use the exerciser, use the Test switch, to test the generator set each week.

The exerciser can be programmed for specified exercise periods and is used to exercise the generator set automatically with or without load.

- The **PC service tool** is required to set the exercise parameters on transfer switches without the digital display.
- The **digital display** (when available) can be used to set exercise parameters for up to eight exercise periods and eight exceptions.

All controllers have a switch to enable or disable pre-set exercise routines. The pushbutton is located on the Digital Module above the batteries, next to the LED light bar display. This button is used by service personnel to disable unexpected transfers while servicing the switch.

NOTICE

If a power failure occurs during the exercise routine, the controller overrides the routine and transfers the load.

4.5 Planned Maintenance

Performing the annual planned maintenance procedures increases reliability of the transfer switch.

The following procedures must only be done by technically qualified personnel, according to procedures in the Service Manual. If repair or component replacement is necessary, call your dealer or distributor.

WARNING

AC power within the cabinet and the rear side of the cabinet door presents a shock hazard that can cause severe personal injury or death. Incorrect installation, service or parts replacement can result in severe personal injury, death and/or equipment damage. All corrective service procedures must be done only by technically qualified personnel, according to procedures in the Service Manual.


WARNING

The transfer switch presents a shock hazard that can cause severe personal injury or death unless all AC power is removed. Be sure to set the generator set operation selector switch to Stop, disconnect AC line power, disconnect the battery charger from its AC power source and disconnect the starting battery (negative [-] lead first) before servicing.

WARNING

Ignition of explosive battery gases can cause severe personal injury. Do not smoke or cause any spark, arc or flame while servicing batteries.

TABLE 2. PLANNED MAINTENANCE

<p>Disconnect All Sources of AC Power:</p> <ol style="list-style-type: none"> 1. Disconnect both AC power sources from the transfer switch before continuing. Turn the generator set operation selector switch to Stop. (The selector switch is located on the generator set control panel.) 2. If there is an external battery charger, disconnect it from its AC power source. Then disconnect the set starting battery (negative [-] lead first).
<p>Clean:</p> <ol style="list-style-type: none"> 1. Thoroughly dust and vacuum all controls, meters, switching mechanism components, interior buswork and connecting lugs. 2. Close the cabinet door and wash exterior surfaces with a damp sponge (mild detergent and water). <div style="text-align: center;"> <h3> WARNING</h3> <p><i>Do not allow water to enter the cabinet, especially at meters, lamps and switches.</i></p> </div>
<p>Inspect:</p> <ol style="list-style-type: none"> 1. Check bus work and supporting hardware for carbon tracking, cracks, corrosion or any other types of deterioration. If replacement is necessary, contact your dealer or distributor. 2. Check stationary and movable contacts. If contact replacement is necessary, contact your dealer or distributor. 3. Check system hardware for loose connections. 4. Check all control wiring and power cables (especially wiring between or near hinged door) for signs of wear or deterioration. 5. Check all control wiring and power cables for loose connections. 6. Check the cabinet interior for loose hardware.

Perform Routine Maintenance:

1. Tighten bus work, control wiring, power cables and system hardware as necessary.

NOTICE

Hardware torque values are given in the Service Manual.

2. Re-torque all cable lug connections.

NOTICE

Lug torque requirements are listed in the Service Manual.

Connect AC Power and Check Operation:

1. Connect the set starting battery (negative [-] lead last). Connect the utility AC power source, enable the generator set power source. If applicable, connect power to the battery charger.
2. Verify proper operation of the battery charger.
3. Test system operation as described in this section. Close and lock the cabinet door.

5 Digital Display Menu System

This section describes the Digital Display Menu System and navigation through the menus. The menu display status information, events, and setup menus. Setup menus contain parameters with adjustable values. The descriptions in this section include ranges for the parameters and default values. The digital display is an option with Level 1 controls and is standard with Level 2 controls. The system menus can also be accessed with the PC service tool.

The Digital Display Menu System is a 2-line by 20-character graphical display screen and six buttons. The screen or menu displays status information, parameters, events and messages. The buttons change screens and parameters. Two buttons have names: Home and Previous Menu. These buttons are used for navigation. Messages include navigational indicators for the other four buttons.

5.1 Main Menu

The main menu system consists of three top-level menus that list vertical menus (or submenus). The submenus display status information. This information cannot be changed in the main menu. The main menu contains eight submenus including the Setup Menu.

5.2 Password and Setup Menus

Before you can navigate and change setup parameters, you must enter a password; however, you can bypass the password and examine but not change parameters. When parameters are changed in any setup menu, you are prompted to either save the changes or restore the old values.

5.3 Navigation

The following image represents the typical functions of the Main Menu navigational buttons.

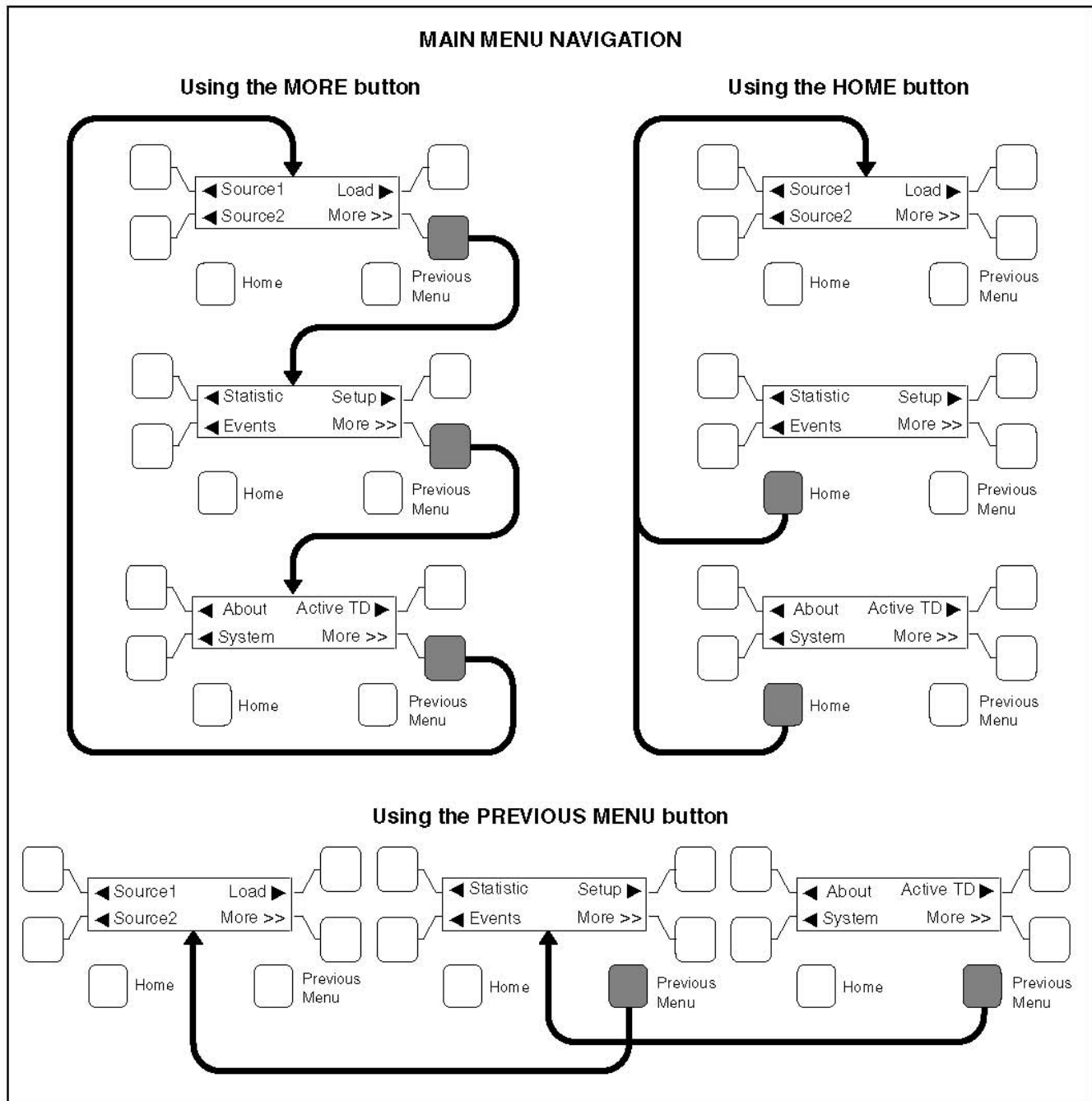


FIGURE 52. NAVIGATION

5.4 Main Menu Descriptions

5.4.1 First Main Menu

- The Source 1 and Source 2 buttons move between submenus that monitor aspects to both power sources:
 - Line-to-Line Voltage
 - Frequency

- Source Connected
- Running Time
- Pressing the Home button returns to the First Main Menu display within any of the Source 1, Source 2, or Load submenus.
- The Load button moves through submenus to display information on the load connected source:
 - Voltage Output
 - Amps and Frequency
 - Power Factor and Output
- The More button advances to the Second Main Menu.
- The Previous Menu button is not active at this level.

5.4.1.1 Source 1 and Source 2 Submenus

Use the push button to the left of the display screen to navigate through the following screens:

- **Volts L12 L23 L31:**
 - The Level 1 control will only read line-to-line voltages.
 - The Level 2 control is capable of reading line-to-line and line-to-neutral voltages, depending on the application.
 - Source 1 and Source 2 reads three-phase voltage for three-phase systems and single-phase voltage for single-phase systems.
 - The Level 1 control will only read single-phase voltages for Source 2.
 - If the voltage is measured at 10 volts or less, the display reads 0.
 - On Level 1 controllers (Source 2), only one voltage will be displayed at L12.
 - On Level 1 controllers (Source 1), displays 3-phase voltage for 3-phase systems or single-phase voltage for single-phase systems.
- **Volts L1N L2N L3N:**
 - Level 2 reads line-to-neutral voltages, level 1 will not
 - Numbers do not display if the system has no neutral.
 - This screen does not display with Level 1 controllers
- **Frequency:** Displays the sensed line frequency for Source 1 or Source 2.
- **Source 1 (or 2):** Displays the position of contactors for either Source 1 or Source 2.
- **Run Time Source 1 (2):** Displays the total time the transfer switch has been connected to either Source 1 or Source 2.

5.4.1.2 Load Submenus

NOTICE

This subset is not available on Level 1 Controls and is optional on Level 2 Controls.

Use the Source 1 and Source 2 push button to the left of the display screen to navigate through the following screens:

- **Volts L12 L23 L31:** Line-to-Line Load Voltage Screen
- **Volts L1N L2N L3N:** Line-to-Neutral Voltage for Load

-
- **Amps L1 L2 L3:** Line Currents for Load
 - **Frequency:** Sensed line frequency for Load connected source
 - **Real Power kW:** Real Power of the transfer switch
 - **Apparent Power KVA:** Total Apparent Power of the transfer switch
 - **Power Factor:** Average Power Factor of the transfer switch. This will be displayed as lead or lag.
 - **Neutral Current:** Neutral Current of the transfer switch.

5.4.2 Second Main Menu

- The Statistic button displays information about either source:
 - Run Time
 - Average Transfer Time
 - Total Number of Transfers
 - Total Number of Failures
 - Battery and (optional) Charger status
 - Control on Time
- The Events button displays the last 50 events or fault codes recorded on the controller.
- The Home button returns to the First Main Menu.
- The Setup button enters the password protected adjustment program:
 - Adjust Sensors
 - Set Time Delays
 - Test and Exercise
 - Exercise Exceptions
 - Transition Mode Trim
 - Load Sequencer Enable
- The More button advances to the Third Main Menu.
- The Previous Menu button returns to the First Main Menu.

5.4.2.1 Events Submenus

The Events program displays information about either source. The controller stores and records the last fifty events in chronological order, beginning with the most recent event. The date and time are listed with each event.

* Indicates that the event is currently active.

Use the push button to the left of the display screen to navigate through the screens.

5.4.2.2 Setup Submenus

The Setup button enters the password-protected adjustment programs to:

- Adjust Sensors
- Set Time Delays
- Test and Exercise
- Exercise Exceptions

- Transition Mode Trim
- Load Sequencer Enable

5.4.2.2.1 Entering the Password Program

Press the Setup button to access the Enter Password menu.

The password is 574.

1. Use the + and - buttons to select a number.
2. Use the right arrow button to move the cursor to the next field.
3. When the password is set, press the right triangle button to enter the Setup program.

5.4.3 Third Main Menu

- The About button displays general information about the transfer switch and controller.
- The System button provides access to data from surrounding devices communicating through a LonWorks network. If the optional network card is not included with the transfer switch, the System button is not active.
- The Home button returns to the First Main Menu.
- The Active TD button displays all active time delays.
- The More button returns the display to the First Main Menu.
- The Previous Menu button returns to the Second Main Menu.

5.4.3.1 About Submenus (Prior to Software Version 1.20.250)

The About submenus contain read-only information about the transfer switch and controller.

- **Name of Switch:** Displays the name of the switch as defined in the Event Handling Requirement.
- **Software Version:** Displays the current firmware version of the controller.
- **Build Date:** Displays the manufacturing date of the controller.
- **ATS Configuration:** Displays the configuration of the controller. Changes are made by servicing personnel using the PC service tool.

Data:

- Test Mode
- Util-Gen
- Utility-Utility
- Genset-Genset
- Unknown

- **ATS Type:** Displays the mode of operation the control is using. Adjustments can be made by service personnel using the PC service tool.

Data:

- OT = Open Transition
- BT = Bypass Transition
- Unknown

- **ATS Board Level:** Displays the ATS board level (1 or 2).

NOTICE

This menu was not included in early versions of software.

- **Network Module:** This screen indicates if a Network Communications Module is installed and enabled.
 - Hardware Detected + Software Enabled = OK
 - Hardware NOT Detected + Software Enabled = Not Installed
 - Hardware Detected + Software NOT Enabled = Not Enabled
 - Hardware NOT Detected + Software NOT Enabled = Not Available
- **Relay Module:** This screen indicates if the Relay Module hardware is installed.

Data:

 - OK
 - Not Installed
- **Load Module:** This screen indicates if the Load Current Module hardware is installed. This feature is not available on Level 1 Controllers.

Data:

 - OK
 - Not Installed

5.4.3.2 About Submenus (Software Version 1.20.250 and Greater)

The About submenus contain read-only information about the transfer switch and controller.

- **Name Tag:** Displays the name of the switch as defined in the Event Handling Requirement.
- **Software Version:** Displays the current firmware version of the controller.
- **Bootcode Version:** Displays the current bootcode version of the controller.
- **Build Date:** Displays the manufacturing date of the controller.
- **Switch Mechanism:** Displays the switch mechanism of the controller.
- **ATS Configuration:** Displays the configuration of the controller. Changes are made by servicing personnel using the PC service tool.

Data:

 - Off line
 - Util-Gen
 - Util-Util
 - Gen-Gen
- **ATS Type:** Displays the mode of operation the control is using. Adjustments can be made by service personnel using the PC service tool.

Data:

 - OT = Open Transition
 - BT = Bypass Transition
- **ATS Board Level:** Displays the ATS board level (1 or 2).

- **Network Module:** This screen indicates if a Network Communications Module is installed and enabled.
 - Hardware Detected + Software Enabled = OK
 - Hardware NOT Detected + Software Enabled = Not Installed
 - Hardware Detected + Software NOT Enabled = Not Enabled
 - Hardware NOT Detected + Software NOT Enabled = Not Available
- **Relay Module:** This screen indicates if the Relay Module hardware is installed.

Data:

 - OK
 - Not Installed
- **Load Module:** This screen indicates if the Load Current Module hardware is installed. This feature is not available on Level 1 Controllers.

Data:

 - OK
 - Not Installed

5.4.3.3 Active TD Submenus (Prior to Software Version 1.12)

- **Test in Process:** Shows time delay activity, the type of time delay and a countdown. If there is no active time delays, the message "No Timer Active" is displayed.

NOTICE
Active TD menus were not available in early versions of software.

5.4.3.4 Active TD Submenus (Software Version 1.12 and Greater)

The Active TD submenus generally show the time delay activity, type of time delay and countdown. This is not specific to the Test in Process submenu.

- **TDNE:** Pressing the Active TD menu button shows that TDNE is one of the active time delays enabled in the control.
- **Changeover in:** This menu shows a Preferred Source Changeover Timer and remaining time (Utility-to-Utility and Generator Set-to-Generator Set applications only).
- **No Timer Active:** This message is displayed only if there are no active time delays.

5.4.4 Setup Menu Navigation and Description

5.4.4.1 Setup Group 1

This group allows programming the operational parameters of the switch for Source 1 and Source 2.

The Sensor submenus are used for setting the:

- Phase Type
- Nominal Type
- Under-voltage Settings
- Over-voltage Settings

- Time Delays
- Frequency Settings
- Imbalance Settings
- Phase Loss
- Phase Rotation

The Sync Check sensor submenus allow programming synchronous conditions for Source 1 and Source 2 that must be met before transferring from one to the other source.

5.4.4.1.1 Sensor 1 and Sensor 2 Submenus (Prior to Software Version 1.12)

When entering numerical values:

Use the + and - buttons to select numerical values or toggle through a list of selections.

When entering numerical values, the - button lowers the value to its lowest range, then begins again at the top end of the range. The + button increases the value to its highest range, then begins again at the low end of the range.

Use the right-facing arrow button to move the cursor to the next field.

- **Sensor 1 and Sensor 2:** These submenus are identical, except:
 - S1 refers to Source 1
 - S2 refers to Source 2

NOTICE

For 2-wire system, select 1 phase-2 wire.
For a single phase-3 wire system, select 1 phase-3 wire.
For a 3 phase system, select 3 phase.

- **S1 or S2 Nominal Voltage:** System voltage for Source 1 or Source 2. Enter the system voltage between 110 and 600 VAC.

NOTICE

Level 1 Controls are Line-to-Line voltages and Level 2 Controls are Line-to-Neutral voltages.

- **S1 or S2 UV Pickup:** Under-Voltage sensor pickup for Source 1 or Source 2. Enter a number between 85 and 100% of the nominal voltage (Default 90%).
- **S1 or S2 UV Dropout:** Under-Voltage sensor dropout voltage. Enter a number between 75 and 98% of the under-voltage pickup percentage (Default 90%).
- **S1 or S2 UV Time Delay:** Under-Voltage dropout time delay. Enter a time between 0.0 and 1.0 seconds (Default 0.5 seconds).
- **S1 or S2 OV Enable:** Over-Voltage sensing enable. Choose Enabled or Disabled (Default Enabled).
- **S1 or S2 OV Pickup:** Over-Voltage pickup. This adjusts the over-voltage pickup as a percentage of the over-voltage dropout. Enter a number between 95 and 99% (Default 95%).
- **S1 or S2 OV Dropout:** Over-Voltage dropout. Enter a percentage between 105 and 135% of the nominal voltage (Default 110%).
- **S1 or S2 OV Time Delay:** Over-Voltage time delay. Enter a range between 0.5 and 120 seconds (Default 3 seconds).

- **S1 or S2 Frequency Sensor:** Monitors line frequency on A-Phases of both sources (Default Enabled).
- **Nominal Frequency:** Enter a frequency between 45 and 65 Hz (Default 60 Hz).
- **Frequency Pickup:** Enter a percentage between 5 and 20% of the nominal frequency (Default 10%).
- **Frequency Dropout:** Enter a percentage between 2 and 5% of the frequency pickup (Default 1%).
- **Frequency Delay:** Enter a time between 0.1 and 15.0 seconds (Default 5 seconds).
- **S1 or S2 Imbalance Sensor (Level 2 Controllers Only):** Detects unbalanced voltages on 3-phase sources (Default Disabled).
- **Imbalance Dropout (Level 2 Controllers Only):** Enter a percentage between 2 and 10% (Default 5%).
- **Imbalance Delay (Level 2 Controllers Only):** Enter a time between 2 and 20 seconds (Default 5 seconds).
- **S1 or S2 Loss of Phase (Level 2 Controllers Only):** The loss of single phase sensing can be enabled or disabled (Default Disabled).
- **Phase Rotation (Level 2 Controllers Only):** The phase rotation sensing can be enabled or disabled (Default Enabled).

5.4.4.1.2 Sensor 1 and Sensor 2 Submenus (Software Version 1.12 and Greater)

When entering numerical values:

Use the + and - buttons to select numerical values or toggle through a list of selections.

When entering numerical values, the - button lowers the value to its lowest range, then begins again at the top end of the range. The + button increases the value to its highest range, then begins again at the low end of the range.

Use the right-facing arrow button to move the cursor to the next field.

- **Sensor 1 and Sensor 2:** These submenus are identical, except:
 - S1 refers to Source 1
 - S2 refers to Source 2

NOTICE

For a single-phase, 2-wire system, select 1 phase-2 wire.
For a single phase-3 wire system, select 1 phase-3 wire.
For a 3 phase system, select 3 phase.

- **Delta or Wye Conn (Level 2 Controllers Only):** Delta or Wye configuration. This menu is only displayed with Level 2 controllers. Chose Delta or Wye.
- **S1 or S2 Nominal Voltage:** System voltage for Source 1 or Source 2. Enter the system voltage between 110 and 600 VAC.

NOTICE

Level 1 Controls are Line-to-Line voltages and Level 2 Controls are Line-to-Neutral voltages.

- **S1 or S2 UV Pickup:** Under-Voltage sensor pickup for Source 1 or Source 2. Enter a number between 85 and 100% of the nominal voltage (Default 90%).

- **S1 or S2 UV Dropout:** Under-Voltage sensor dropout voltage. Enter a number between 75 and 98% of the under-voltage pickup percentage (Default 90%).
- **S1 or S2 UV Time Delay:** Under-Voltage dropout time delay. Enter a time between 0.0 and 4.0 seconds (Default 0.5 seconds).
- **S1 or S2 OV Enable:** Over-Voltage sensing enable. Choose Enabled or Disabled (Default Enabled).
- **S1 or S2 OV Pickup:** Over-Voltage pickup. This adjusts the over-voltage pickup as a percentage of the over-voltage dropout. Enter a number between 95 and 99% (Default 95%).
- **S1 or S2 OV Dropout:** Over-Voltage dropout. Enter a percentage between 105 and 135% of the nominal voltage (Default 110%).
- **S1 or S2 OV Time Delay:** Over-Voltage time delay. Enter a range between 0 and 120 seconds (Default 3 seconds).
- **S1 or S2 Frequency Sensor:** Monitors line frequency on A-Phases of both sources (Default Enabled).
- **Nominal Frequency:** Enter a frequency between 45 and 65 Hz (Default 60 Hz).
- **Frequency Pickup:** Enter a percentage between 5 and 20% of the nominal frequency (Default 10%).
- **Frequency Dropout:** Enter a percentage between 1 and 5% of the frequency pickup (Default 1%).
- **Frequency Delay:** Enter a time between 0.1 and 15.0 seconds (Default 5 seconds).
- **S1 or S2 Imbalance Sensor (Level 2 Controllers Only):** Detects unbalanced voltages on 3-phase sources (Default Disabled).
- **Imbalance Dropout (Level 2 Controllers Only):** Enter a percentage between 2 and 10% (Default 4%).
- **Imbalance Delay (Level 2 Controllers Only):** Enter a time between 2 and 20 seconds (Default 5 seconds).
- **S1 or S2 Loss of Phase (Level 2 Controllers Only):** The loss of single phase sensing can be enabled or disabled (Default Disabled).
- **Phase Rotation (Level 2 Controllers Only):** The phase rotation sensing can be enabled or disabled (Default Enabled).

5.4.4.2 Setup Group 2

The Time Delay submenus allow programming time for the:

- Engine Start
- Power Source 1 to Source 2
- Power Source 2 to Source 1
- Engine Cool-down
- Programmed Transition
- Elevator Pre-Transfer
- Generator set-to-Generator set Engine Controls

Test submenus allow programming the front panel test switch to test the source with or without load. If the configuration is generator set-to-generator set, Source 1 or Source 2 is selectable.

Exerciser submenus allows programming an exercise routine for Power Source 2 and are available only on utility-to-generator set controls. The number of exercise programs that can be set is dependent upon the software version installed and the type of control. Exerciser submenus also allow for adding and deleting exercise exceptions. Up to 8 routines and exceptions can be programmed using the PC service tool.

5.4.4.2.1 Time Delay Submenus (Prior to Software Version 1.12)

When entering numerical values:

Use the + and - buttons to select numerical values or toggle through a list of selections.

When entering numerical values, the - button lowers the value to its lowest range, then begins again at the top end of the range. The + button increases the value to its highest range, then begins again at the low end of the range.

Use the right-facing arrow button to move the cursor to the next field.

- **TDNE:** In a Normal to Emergency transfer this function allows Source 2 to stabilize before the load is applied. Enter a time from 0 to 120 seconds (Default 10 seconds).
- **TDEN:** In an Emergency to Normal transfer this allows Source 1 to stabilize before retransfer. Enter a time from 0 to 30 minutes (Default 10 minutes).
- **TDESa:** Sets the time delay for Engine Start on generator set (a) used in utility-generator and generator-generator mode. Prevents nuisance generator set starting during brief power interruptions. This menu does not appear in utility-to-utility installations. Enter a range from 0 to 120 seconds (Default 3.0 seconds).
- **TDECa:** Sets the time delay for Engine Cool-down following a retransfer. This menu does not appear in utility-to-utility installations. Enter a time from 0 to 30 minutes (Default 10 minutes).
- **TDPT:** Sets the time delay for programmed transition, a setting of 0.0 disables the program. Enter a time from 0 to 60 seconds (Default 0 seconds).
- **TDEL:** Sets the time delay to wait for an elevator pre-transfer signal. Enter a time from 0 to 60 seconds (Default 0 seconds).
- **TDESb (Level 2 Controllers Only):** Sets the Engine Start time delay for generator set (b). Enter a time from 0 to 120 seconds (Default 3 seconds).
- **TDECb (Level 2 Controllers Only):** Sets the time delay for Engine Cool-down to begin. Enter a time of 0 to 30 minutes (Default 10 minutes).
- **Changeover Enable (Level 2 Controllers Only):** Changeover Enabled/Disabled. Select Enabled or Disabled.
- **Changeover Delay (Level 2 Controllers Only):** If Changeover Enabled is enabled, this menu sets the amount of time a single generator can be run before switching to the other generator. Enter a time from 1 to 336.0 hours (Default 24 hours).

5.4.4.2.2 Time Delay Submenus (Software Version 1.12 and Greater)

When entering numerical values:

Use the + and - buttons to select numerical values or toggle through a list of selections.

When entering numerical values, the - button lowers the value to its lowest range, then begins again at the top end of the range. The + button increases the value to its highest range, then begins again at the low end of the range.

Use the right-facing arrow button to move the cursor to the next field.

NOTICE

TDNE, TDESa, TDESb, TDEL and TDPT values up to 20 seconds are adjustable in 1 second increments. Values over 20 seconds are adjustable in 5 second increments.

NOTICE

For long engine start time delays (over 15 seconds) a remote battery source should be used.

- **TDNE:** In a Normal to Emergency transfer this function allows Source 2 to stabilize before the load is applied. Enter a time from 0 to 120 seconds (Default 10 seconds).
- **TDEN:** In an Emergency to Normal transfer this allows Source 1 to stabilize before retransfer. Enter a time from 0 to 30 minutes (Default 10 minutes).
- **TDESa:** Sets the time delay for Engine Start on generator set (a) used in utility-generator and generator-generator mode. Prevents nuisance generator set starting during brief power interruptions. This menu does not appear in utility-to-utility installations. Enter a range from 0 to 120 seconds (Default 3.0 seconds).
- **TDECa:** Sets the time delay for Engine Cool-down following a retransfer. This menu does not appear in utility-to-utility installations. Enter a time from 0 to 30 minutes (Default 10 minutes).
- **TDPT:** Sets the time delay for programmed transition, a setting of 0.0 disables the program. Enter a time from 0 to 60 seconds (Default 0 seconds).
- **TDEL:** Sets the time delay to wait for an elevator pre-transfer signal. Enter a time from 0 to 60 seconds (Default 0 seconds).
- **TDESb** (Level 2 Controllers only, set as gen-to-gen): Sets the Engine Start time delay for generator set (b). Enter a time from 0 to 120 seconds (Default 3 seconds).
- **TDECb** (Level 2 Controllers only, set as gen-to-gen): Sets the time delay for Engine Cool-down to begin. Enter a time of 0 to 30 minutes (Default 10 minutes).
- **Changeover Enable** (Level 2 Controllers only, set as gen-to-gen): Changeover Enabled/Disabled. Select Enabled or Disabled.
- **Changeover Delay** (Level 2 Controllers only, set as gen-to-gen): If Changeover Enabled is enabled, this menu sets the amount of time a single generator can be run before switching to the other generator. Enter a time from 1 to 336.0 hours (Default 24 hours).

5.4.4.2.3 Test Submenus

The following menu is used only in Utility-to-Generator Set applications

- **With/Without Load:** Allows an operator to automatically test the transfer switch, generator and power system.
 - Sets the function of the Test Switch on the front panel (Default Test with Load).

The following menu is used only in Generator Set-to-Generator Set and Utility-to-Utility applications

- **Source 1/Source 2:** Allows for the selection of the preferred source (Default Source 1, gen-to-gen and utility-to-utility only).

5.4.4.2.4 Exerciser Submenus (Software Versions Prior to 1.5.190)

These submenus are available only in Utility-to-Genset applications.

Only one program is available for Level 1 controllers.

- **Exercise Enable:** Enables or disables all the functions of exercising the generators(s).

- **Next Exercise:** Displays the time remaining until the next exercise cycle. This display is readable only when the exerciser is Enabled (may not be displayed in software version 1.0).
- **Program 1:** This screen allows disabling Exercise Program 1 only.
- **Start Day 1:** The first four programming submenus for the exercise cycle. Sets the day an exercise cycle will occur. Select a day between Sunday (0) and Saturday (6).
- **Start Time 1:** Sets a time for the exercise cycle to begin. Enter a time within a 24 hour period: hh=0 - 23, mm = 0-59.
- **Duration 1:** Sets the length of time the exercise cycle will run. Enter a time within a 24 hour period: hh=0 - 23, mm = 0-59.
- **Program 1 Repeat:** Sets an interval the exercise cycle will repeat. Enter a cycle between 0 and 52 weeks. Typical values are 1 or 2.
- **Exercise 1:** Enables or disables exercising the generator(s) with or without a load.

Level 2 controllers allow for two exercise programs to be set up from the Setup menu screen. Six additional programs and eight exceptions can be setup using the PC service tool.

- **Program 2 (Level 2 Controllers Only):** This screen allows disabling Exercise Program 2 only.
- **Start Day 2 (Level 2 Controllers Only):** Sets the day of the second exercise cycle. Enter a day between Sunday (0) and Saturday (6).
- **Start Time 2 (Level 2 Controllers Only):** Sets the time the second exercise cycle will begin. Enter a time within a 24 hour period: hh=0-23, mm=0-59.
- **Duration 2 (Level 2 Controllers Only):** Sets a time limit the second exercise cycle will run. Enter a time within a 24 hour period: hh=0-23, mm=0-59.
- **Program 2 Repeat (Level 2 Controllers Only):** Sets an interval the second exercise cycle will repeat. Enter a range from 0-52 weeks. Typical values are 1 or 2.
- **Exercise 2 (Level 2 Controllers Only):** Enables or disables the second exercise program to run the generator(s) with or without load.

5.4.4.2.5 Exerciser Submenus (Software Versions 1.5.190 and Greater)

These submenus are available only in Utility-to-Generator Set applications.

Only one program is available for Level 1 controllers.

- **Exercise Feature:** Enables or disables all the functions of exercising the generators(s).

NOTICE

Instead of "Exercise Feature", this menu is titled "Exercise Enable" in some early versions of software. This menu is no longer included with current software.

- **Next Exercise In:** Displays the time remaining until the next exercise cycle. If no exercises are enabled, the message "No Next Exercise" is displayed.
- **Exercise 1 Enable:** This screen allows disabling Exercise 1 only (Default Disabled).
- **Exercise 1 Start:** The first four programming submenus for the exercise cycle. Sets the day an exercise cycle will occur. Select a day between Sunday (0) and Saturday (6). (Default Sunday)
- **Exercise 1 Start:** Sets a time for the exercise cycle to begin. Enter a time within a 24 hour period: hh=0 - 23, mm = 0-59. (Default 00:00)
- **Exercise 1 Duration:** Sets the length of time the exercise cycle will run. Enter a time within a 24 hour period: hh=0 - 23, mm = 0-59. (Default 00:00)

- **Exercise 1 Repeat:** Sets an interval the exercise cycle will repeat. Enter a cycle between 0 and 52 weeks. Typical values are 1 or 2. (Default 0 Weeks)
- **Exercise 1:** Enables or disables the first exercise program to run the generator(s) with or without a load. (Default Without Load)

Level 2 controllers allow for two exercise programs to be set up from the Setup menu screen. Six additional programs and eight exceptions can be setup using the PC service tool.

- **Exercise 2 Enable** (Level 2 Controllers Only): This screen allows disabling Exercise Program 2 only. (Default Disabled)
- **Exercise 2 Start** (Level 2 Controllers Only): Sets the day of the second exercise cycle. Enter a day between Sunday (0) and Saturday (6). (Default Sunday)
- **Exercise 2 Start** (Level 2 Controllers Only): Sets the time the second exercise cycle will begin. Enter a time within a 24 hour period: hh=0-23, mm=0-59. (Default 00:00)
- **Exercise 2 Duration** (Level 2 Controllers Only): Sets a time limit the second exercise cycle will run. Enter a time within a 24 hour period: hh=0-23, mm=0-59. (Default 00:00)
- **Exercise 2 Repeat** (Level 2 Controllers Only): Sets an interval the second exercise cycle will repeat. Enter a range from 0-52 weeks. Typical values are 1 or 2. (Default 0 Weeks)
- **Exercise 2** (Level 2 Controllers Only): Enables or disables the second exercise program to run the generator(s) with or without load. (Default Without Load)

5.4.4.2.6 Exerciser Exceptions Submenus (Software Versions 1.5.190 and Greater)

These submenus are available only in Utility-to-Generator Set applications.

Level 2 Controllers allow for adding and deleting exceptions to the two exercise programs set up from the Setup menu screen.

- **Exceptions Active:** Indicates the number of active exercise exceptions. If there are no active exceptions, the message "No Exceptions Active" is displayed.
- **Cancel Active Excpts:** This screen allows canceling all exceptions (Default Normal).
- **Exception 1:** This screen allows enabling/disabling Exception 1 only (Default Disabled).
- **Excpt 1 Start Date:** Sets the month and day for Exception 1. Enter a starting date that the exerciser will not run: mo = 1-12, dy = 1-31.
- **Excpt1 Start Time:** Sets a time of day for Exception 1. Enter a starting time of day that the exerciser will not run: hr = 0-23, nm = 0-59.
- **Exception 1 Duration:** Sets the time period that Exception 1 will override an exercise. Enter a time: dy = 1-31, hr = 2-23, mn = 0-59.
- **Exception 1 Repeat:** This screen allows enabling/disabling Exception 1 repeating (Default Disabled).
- **Exception 2** (Level 2 Controllers Only): This screen allows enabling/disabling Exception 2 only (Default Disabled).
- **Exception 2 Start Date** (Level 2 Controllers Only): Sets the month and day for Exception 2. Enter a starting date that the exercise will not run: mo = 1-12, dy = 1-31.
- **Excpt 2 Start Time** (Level 2 Controllers Only): Sets a time of day for Exception 2. Enter a time of day that the exercise will not run: hh=0-23, mm=0-59. (Default 00:00)
- **Exception 2 Duration** (Level 2 Controllers Only): Sets the time period that Exception 2 will override an exercise. Enter a time: dy = 1-31, hr = 0-23, mn = 0-59.
- **Exception 2 Repeat** (Level 2 Controllers Only): This screen allows enabling/disabling Exception 2 repeating (Default Disabled).

5.4.4.2.7 Exerciser Submenus (Software Versions 1.12-1.13.244)

These submenus are available only in Utility-to-Generator Set applications.

Only one program is available for Level 1 controllers.

NOTICE

Level 2 controllers allow for two exercise programs to be set up from the Setup menu screen.

- **Exercise Feature:** Enables or disables all the functions of exercising the generators(s).

NOTICE

Instead of "Exercise Feature", this menu is titled "Exercise Enable" in some early versions of software. This menu is no longer included with current software.

- **Next Exercise In:** Displays the time remaining until the next exercise cycle. If no exercises are enabled, the message "No Next Exercise" is displayed.
- **Exercise 1 Enable:** This screen allows disabling Exercise 1 only (Default Disabled).
- **Exercise 1 Start:** The first four programming submenus for the exercise cycle. Sets the day an exercise cycle will occur. Select a day between Sunday (0) and Saturday (6). (Default Sunday)
- **Exercise 1 Start:** Sets a time for the exercise cycle to begin. Enter a time within a 24 hour period: hh=0 - 23, mm = 0-59. (Default 00:00)
- **Exercise 1 Duration:** Sets the length of time the exercise cycle will run. Enter a time within a 24 hour period: hh=0 - 23, mm = 0-59. (Default 00:00)
- **Exercise 1 Repeat:** Sets an interval the exercise cycle will repeat. Enter a cycle between 0 and 52 weeks. Typical values are 1 or 2. (Default 0 Weeks)

NOTICE

**0 = exercise one time only
1 = exercise once a week
2 = exercise every other week**

- **Exercise 1:** Enables or disables the first exercise program to run the generator(s) with or without a load. (Default Without Load)

Level 2 controllers allow for two exercise programs to be set up from the Setup menu screen. Six additional programs and eight exceptions can be setup using the PC service tool.

- **Exercise 2 Enable** (Level 2 Controllers Only): This screen allows disabling Exercise Program 2 only. (Default Disabled)
- **Exercise 2 Start** (Level 2 Controllers Only): Sets the day of the second exercise cycle. Enter a day between Sunday (0) and Saturday (6). (Default Sunday)
- **Exercise 2 Start** (Level 2 Controllers Only): Sets the time the second exercise cycle will begin. Enter a time within a 24 hour period: hh=0-23, mm=0-59. (Default 00:00)
- **Exercise 2 Duration** (Level 2 Controllers Only): Sets a time limit the second exercise cycle will run. Enter a time within a 24 hour period: hh=0-23, mm=0-59. (Default 00:00)
- **Exercise 2 Repeat** (Level 2 Controllers Only): Sets an interval the second exercise cycle will repeat. Enter a range from 0-52 weeks. Typical values are 1 or 2. (Default 0 Weeks)

NOTICE

0 = exercise one time only
1 = exercise once a week
2 = exercise every other week

- **Exercise 2** (Level 2 Controllers Only): Enables or disables the second exercise program to run the generator(s) with or without load. (Default Without Load)

5.4.4.2.8 Exerciser Exceptions Submenus (Software Versions 1.13.244-1.5.190)

These submenus are available only in Utility-to-Generator Set applications.

Level 1 Controllers allow for setting two exceptions and Level 2 Controllers allow for setting exceptions to the eight exercise programs setup from the digital display screen.

- **Exception Remaining:** Indicates the time remaining for the exception of the longest duration. If there are no active exceptions, the message "No Excepts Active" is displayed on the first line.
- **Cancel Active Excppts:** This screen allows cancelling all exceptions (Default Normal).
- **View/Edit Exception:** This screen allows for selecting an Exception and displaying its status. Enter a number between 1 and 8 (Default 1). If a password is not entered:
 - Only the View/Edit Exercise and View/Edit Exception menus can be modified.
 - When the View/Edit Exercise or View/Edit Exception menus are modified, the Save Changes/Cancel Changes submenu is displayed upon exiting the Exercise submenus.

NOTICE

The number selected here must match the Exercise number selected in the "View/Edit Exercise" menu.

- **Exception #:** This menu is used to enable/disable the Exception selected in the previous menu (Default Disabled)
- **Excerpt 1 Start Date:** Sets the month and day for Exception 1. Enter a starting date that the exercise will not run: mo = 1-12, dy = 1-31.
- **Excp 1 Start Time:** Sets a time of day for Exception 1. Enter a starting time of day that the exercise will not run: hr = 0-23, mn = 0-59.
- **Exception # Duration:** Sets the time period that the exception will override the same numbered exercise. Enter a time: days = 1-31, hr = 0-23, mn = 0-59.
- **Exception # Repeat:** This menu allows for enabling/disabling repeating the Exception (Default Disabled).

5.4.4.3 Setup Group 3

The Mode submenu allows programming the type of transition the switch uses.

The Clock submenus program the time and date, as well as daylight savings time.

The Sequencer submenu displays the Load Sequencer software feature, available only with LonWorks Network Communication Module. This program allows the user to send a predetermined sequence of event announcements in a timed, sequential order to turn the load off and on.

5.4.4.3.1 Mode Submenu (Prior to Software Version 1.20.250)

Transfer Mode: The transfer mode is preset and cannot be changed.

5.4.4.3.2 Mode Submenu (Software Version 1.20.250 and Greater)

- **Transfer Mode:**
 - Program Transition
 - Open Sync Check

NOTICE

Available settings vary from generator set to generator set.

5.4.4.3.3 Clock Submenus

The Clock submenus allow the user to set the actual date and time, as well as select the Daylight Saving Time option.

- **Date:** Sets the actual day and date. Enter a month between Jan (1) and Dec (12), a date between 1 and 31 and a year between 1 and 9999.
- **Time:** Sets the actual time of day. Enter the actual time within a 24 hour period: hh = 1-23, mm = 0-59, ss = 0-59.
- **Daylight Saving:** Activates the Daylight Savings time option. Selecting Enabled automatically updates the clock +/- one hour on the appropriate days (Default Disabled).

NOTICE

The Daylight Savings Time program is set for U.S. and Canada. If you are anywhere outside of the U.S. and Canada, the time should be changed manually.

- The first Sunday in April - moves the time forward one hour.
- The last Sunday in October - moves the time back one hour.

5.4.4.3.4 Sequencer Submenus

Sequencer is available only with the optional Network Communication Module. The module must be installed and enabled with the PC service tool before these screens are displayed.

- **Load Sequencer:** When enabled, allows event announcements to be sent to the transfer switch.
- **Sequence Activation:** Sets activation for certain operational modes. Choose Transfer, Re-transfer or All.
- **Sequence Length:** The control can activate a maximum of 8 relay output signals. Enter the number of relay output signals desired to activate: 1 through 8.
- **Output 1 Time Delay:** When Load Sequencer is triggered, the controller deactivates all remote relay output signals. Starting with Relay 1, the controller counts down the specified time delay, the activates Relay 1. Enter a time from 0 to 60 seconds.

The process repeats until all relay signals have been sequenced. The maximum time delay for all 8 signals is 8 minutes.

NOTICE

Menus continue through Output 8, depending on the number of Sequence Lengths specified.

5.4.4.4 Changing Setup Parameters (Software Prior to Version 1.12)

Pressing the 1 phase-2 wire button in any submenu causes a cursor to appear in the location of the editable field. In most cases, there is only one field to edit.

Use the + and - buttons to select numerical values or to toggle through a list of selections.

Default values are shown in parenthesis.

Use the right-facing arrow button to move the cursor to the next field.

When entering numerical values, the - button lowers the value to its lowest range, then begins again at the top end of the range. The + button increases the value to its highest range, then begins again at the low end of the range.

If changes are made, press the right-facing arrow button to enter the new value and return to the previous menu.

Changing any data within the Setup submenus will invoke a Save/Restore screen when exiting the Setup submenu groups.

If the Previous Menu button is pressed during an editing session, the data will not be changed.

If the Home button is pressed during an editing session, the Save/Restore screen is invoked.

5.4.4.5 Changing Setup Parameters (Software Version 1.12 and Greater)

Pressing the 1 phase-2 wire button in any submenu causes a cursor to appear in the location of the editable field. In most cases, there is only one field to edit.

Use the + and - buttons to select numerical values or to toggle through a list of selections.

Default values are shown in parenthesis.

Use the right-facing arrow button to move the cursor to the next field.

When entering numerical values, the - button lowers the value to its lowest range, then begins again at the top end of the range. The + button increases the value to its highest range, then begins again at the low end of the range.

If changes are made, press the right-facing arrow button to enter the new value and return to the previous menu.

Changing any data within the Setup submenus will invoke a SAVE CHANGES/CANCEL CHANGES screen when exiting the Setup submenu groups.

If the PREVIOUS MENU button is pressed during an editing session, the data will not be changed.

If the Home button is pressed during an editing session, the SAVE CHANGES/CANCEL CHANGES screen is invoked.

6 Wiring Considerations for Closed Transition Switches

6.1 Application Considerations for Closed Transition Transfer Switches

Closed transition power transfer introduces risk to the power system because two live sources are momentarily connected together. The following simple installation practices can minimize these risks.

- Prevent multiple transfer switches from transferring at the same time. Multiple transfer switches transferring simultaneously can result in the genset voltage being unstable during transfer. Two methods for preventing simultaneous transfer are:
 - Staggering time delays between switches and
 - Interconnecting aux contacts with inhibit functions.
- Prevent the two sources from remaining connected indefinitely by connecting the ATS fail to disconnect output to the shunt trip input of one of the breakers feeding the ATS. This function is actually required by many utilities.

Staggering Time Delays

Setting time delays on different transfer switches to different values will prevent the switches from transferring at the same time. For example setting the Emergency to Normal Time Delays (TDEN) to different values on each switch will prevent the switches from re-transferring to the normal source at the same time after the source has returned after a failure or at the end of a test. When using this method care should be taken to make sure that all of the sensing settings are the same on each of the switches to make sure that the switches recognize the source as being available at the same time.

Note that it is only necessary to stagger the time delays when transferring between live sources. After a utility failure it is not necessary to stagger time delays for switching loads on to the genset unless the genset needs time to recover after taking on the individual loads as is often the case when starting large motors.

6.2 Re-transfer and transfer inhibit functions

The transfer and re-transfer inhibit functions can be used to prevent multiple transfer switches from transferring at the same time. For example to prevent two switches from re-transferring from the genset to the utility at the same time wire the normally closed contact that indicates the first ATS is connected to the normal source into the retransfer inhibit input of the transfer switch that is intended to transfer second. Ground the common aux contact on the first switch so that the re-transfer inhibit input on the second switch is grounded when the first transfer switch is not connected to the normal source. This will inhibit the second switch from beginning its retransfer sequence (including all time delays) until after the first transfer switch has transferred back to the normal source. A similar wiring scheme can be used when transferring to the emergency source so that only one switch transfers at a time. Switch position outputs are available on the relay signal module which is included with all Cummins closed transition ATS models. See [Figure 53](#) and [Figure 54](#) which illustrate how this can be accomplished with all of Cummins' closed transition transfer switch models.

BTPC 1600 - 3000, CHPC

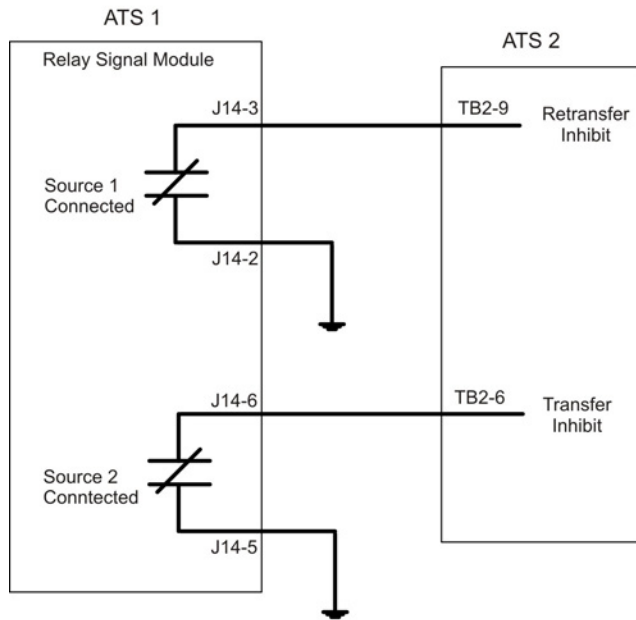


FIGURE 53. BTPC 1600-3000, CHPC

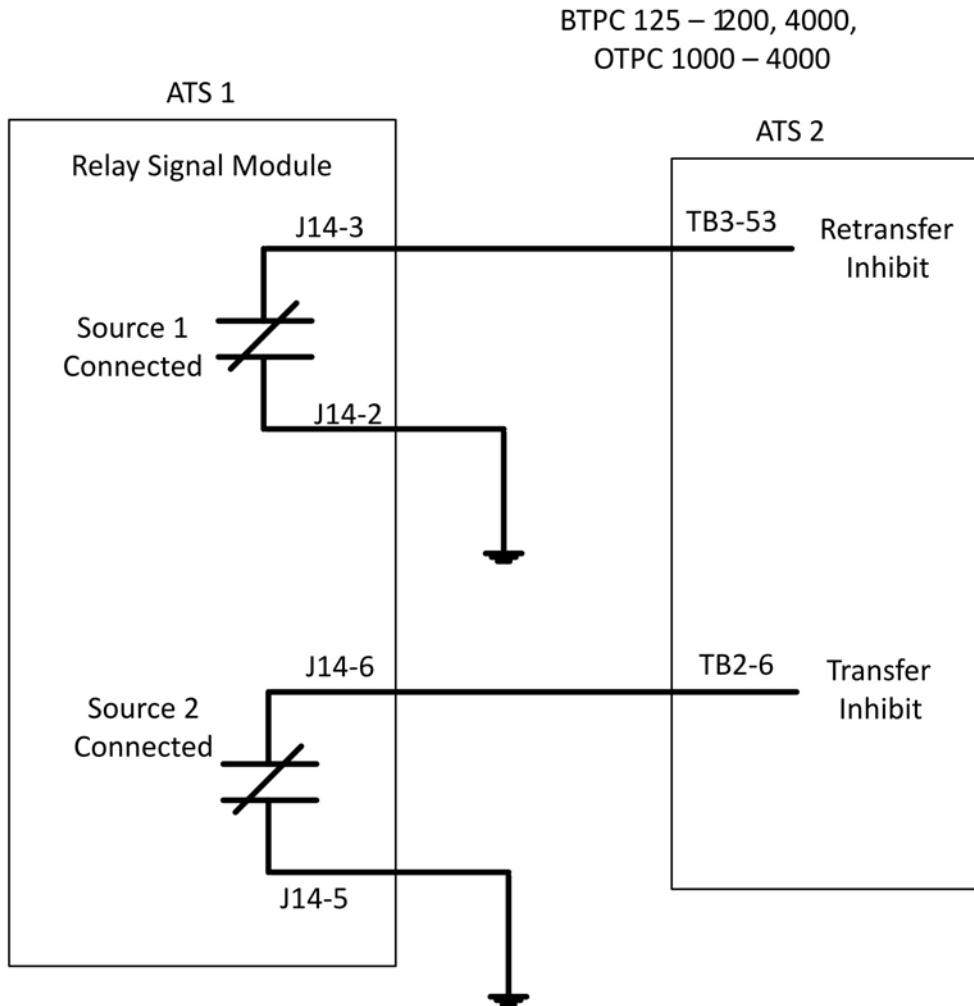


FIGURE 54. BTPC 125-1200, 4000, OTPC 1000-4000

6.3 Fail to disconnect

The Fail to Disconnect relay is active when the transfer switch remains connected to both sources for more than 100 msec during a closed transition transfer. It should be wired to the shunt trip of the breaker feeding the ATS on either the normal or the emergency side. The fail to disconnect relay is located on the relay signal module. See [Figure 55](#).

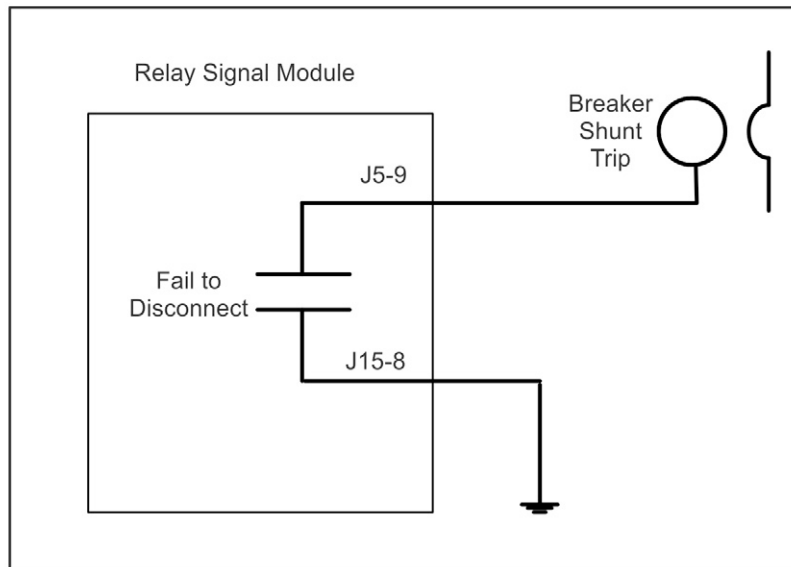


FIGURE 55. BREAKER SHUNT TRIP - USING THE FAIL TO DISCONNECT OUTPUT TO SHUNT-TRIP A BREAKER.

7 Troubleshooting

7.1 Control Module LED Indicators and Switch

The digital module located on the inside of the switch enclosure door contains ten LED indicators. The indicators provide some information about the current control status. These indicators may be helpful in troubleshooting the transfer switch when the Digital Display is not available.

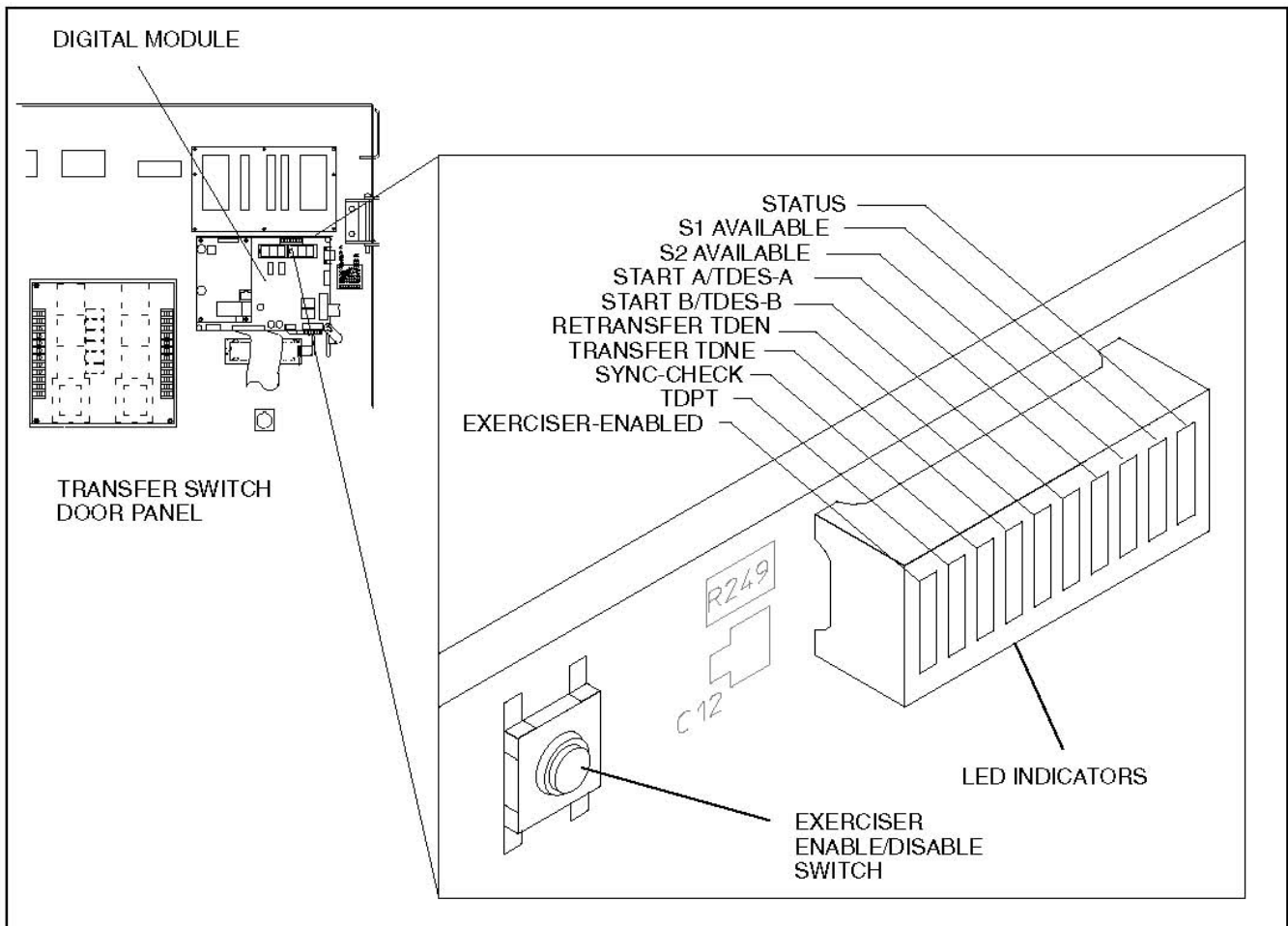


FIGURE 56. LED LOCATION ON DIGITAL MODULE (SHOWN ON THE 40 TO 125 AMP SWITCH)

TABLE 3. DIGITAL MODULE LED INDICATORS

Indicator	Definition
Status	Blinks at 1/2 Hz rate when the controller has power and the program is running without error. This indicator flashes the event code of an active event until the event is acknowledged with the Reset switch on the front panel. This indicator is sometimes referred to as the heart beat because it blinks constantly when the controller does not have an active event.
S1 Available	Lights when Power Source 1 has acceptable voltage and frequency limits. This indicator lights when the Source 1 Available indicator on the control panel lights.

Indicator	Definition
S2 Available	Lights when Power Source 2 has acceptable voltage and frequency limits. This indicator lights when the Source 2 Available indicator on the control panel lights.
Start A/TDES-A	<ol style="list-style-type: none"> 1. Lights constantly when the control has commanded Source 2 to start 2. Blinks at 1/2 Hz rate during the time delay to engine start (TDESa)
Start B/TDES-B	<p>This indicator is only used for generator set-to-generator set applications when Source 1 is a generator not a utility.</p> <ol style="list-style-type: none"> 1. Lights constantly when the control has commanded Source 1 to start 2. Blinks at 1/2 Hz rate during the time delay to engine start (TDESb)
Retransfer/TDEN	<ol style="list-style-type: none"> 1. Lights when the control energizes the Retransfer relay 2. Blinks at 1/2 Hz rate during the time delay to retransfer (TDEN)
Transfer/TDNE	<ol style="list-style-type: none"> 1. Lights when the control energizes the Transfer relay 2. Blinks at 1/2 Hz rate during the time delay to transfer (TDNE)
Sync-Check	Blinks at 1-second rate when the in-phase sensor is active (maximum of 120 seconds).
TDPT	<p>Time Delay Programmed Transition</p> <p>Blinks at 1/2 Hz rate during the programmed transition time delay</p>
Exerciser Enabled	Lights when the Exerciser clock is enabled and blinks during an exercise period. The small switch next to the indicator enables and disables the exerciser. The operator can also enable and disable the exerciser from the Digital Display when it is available.

7.2 Fault Flash-Out

The control flashes an active fault code on the Digital Module Status indicator until it is acknowledged with the Reset switch on the front panel. The control flashes each digit of the fault code with a pause between digits and a longer pause between repetitions.

The control moves acknowledged events to the event history file. This file can hold a maximum of 50 fault and non-fault events. The digital display and the PC Service Tool can read the contents of the Event history file.

7.3 Exerciser Enable/Disable Switch

The Exerciser Enable/Disable switch enables the control to exercise the genset during future scheduled exercise periods and lights the Exerciser Enabled indicator or disables the scheduled exercise period and turns the indicator off. This button is used by service personnel to disable unexpected transfers while servicing the switch.

7.4 Troubleshooting Transfer Switch With the Digital Display

The Digital Display shows two types of events: fault events and non-fault events. The last 50 events, both fault and non-fault events, can be viewed with the Digital Display. You can also read all events in the event history file by using the PC Service Tool.

7.4.1 Fault Events

Fault events should be considered alarms for the transfer switch operator. They indicate that the transfer switch is not operating correctly.

7.4.1.1 Fault Codes and Messages

The following table lists the fault codes and fault message, and gives corrective actions for each fault code.


TABLE 4. FAULT CODES AND MESSAGES

343	Controller Checksum Error
441	Low Controller Battery
1113	ATS Fail to Close: Transfer
1114	ATS Fail to Close: Retransfer
597	Battery Charger Malfunction
477*	Network Battery Low
1468	Network Communications Error
* This fault code only applies to older transfer switches that included an Network Communications Module (NCM) with batteries.	

The controller displays the fault message on the Digital Display and flashes the asterisk indicator. You must press the Reset button on the control panel to acknowledge a fault and clear the display.

7.4.1.2 Troubleshooting Fault Codes

TABLE 5. TROUBLESHOOTING

 WARNING
<i>Some ATS service procedures present hazards that can result in severe personal injury or death. Only qualified service personnel with knowledge of electricity and machinery hazards should perform service. See Safety Precautions.</i>
CONTROLLER CHECKSUM ERROR (343) The checksum of the Flash EPROM does not match the checksum stored in the controller
Corrective Action: <ol style="list-style-type: none"> 1. Reset the control by removing power. 2. Remove and re-install Digital Module batteries. 3. Contact Cummins/Onan Service if checksum error is repeated on power up. 4. Reset real-time clock.
LOW CONTROLLER BATTERY (441) Low Lithium battery voltage
Corrective Action: <ol style="list-style-type: none"> 1. Replace Digital Module batteries. 2. Press the Reset button on the front panel. 3. Reset real-time clock.

7.5 Fault Event Definitions

7.5.1 Controller Checksum Error

The controller checks the Flash EPROM checksum after each microprocessor reset. The checksum is stored in nonvolatile EEPROM. If a checksum error fault occurs, the controller still attempts a normal boot-up sequence.

The controller Fault Flash-out subsystem flashes this fault on the Status indicator until the fault is acknowledged (reset). Reset the control by removing power (including the batteries). If checksum error is repeated on power up, replace the Digital Module.

7.5.2 Low Controller Battery

The controller monitors the voltage of the Lithium batteries that supply power to the controller. If the battery voltage drops to 5 VDC, the controller sets the fault status to active.

The controller Fault Flash-out subsystem flashes this fault until the fault is acknowledged (reset).

7.5.3 ATS Fail to Close: Transfer

The controller first verifies that the transfer switch moved from Source 1 to Neutral within the time limit defined in the Fail to Close Time Delay. The controller also verifies that the transfer switch moved from Neutral to Source 2 within the time limit defined in the Fail to Close Time Delay.

If the Fail to Close time limit is exceeded, the controller changes the fault status to active. The fault remains active until the Reset button is pressed.

7.5.4 ATS Fail to Close: Re-Transfer

The controller first verifies that the transfer switch moved from Source 2 to Neutral within the time limit defined in the Fail to Close Time Delay. The controller also verifies that the transfer switch moved from Neutral to Source 1 within the time limit defined in the Fail to Close Time Delay.

If the Fail to Close time limit is exceeded, the controller changes the fault status to active. The fault remains active until the Reset button is pressed.

7.5.5 Battery Charger Malfunction

The controller monitors the status of the optional battery charger. If the Battery Charger Fault input is active, this event is active.

The controller Fault Flash-out subsystem flashes this fault until the fault is acknowledged (reset).

7.5.6 Network Battery Low

This event is detected by the optional Network Communications Module (NCM) and is communicated to the controller. If the battery voltage drops, the controller sets the fault status to active.

The controller Fault Flash-out subsystem flashes this fault on the Status indicator until the fault is acknowledged (reset).

7.5.7 Network Communications Error

This event is detected by the Network Communications Module (NCM) and is communicated to the transfer switch controller. This indicates that the device is no longer communicating with other devices on the network.

The controller Fault Flash-out subsystem flashes this fault until the fault is acknowledged (reset).

7.6 15/12-Amp Battery Charger Troubleshooting and Faults

The 15/12-amp battery charger includes one set of Form-B alarm contacts (corresponding to the status LED on the control panel). When red, this LED indicates a fault condition. The control panel also displays fault codes.

When a fault occurs, the red fault LED lights and a brief description of the fault and the numeric fault code is displayed on the digital display. To correct the fault, find the fault code number and take the suggested corrective actions. If the problem persists, call an authorized Cummins Inc. distributor for help.

7.6.1 Clearing Faults

Most displayed faults are cleared by removing the fault. However, faults 379 - OVER CURR, 442 - HIGH BATT VOLT, and 9115 - BATT FAIL can only be cleared by cycling completely through the Setup menus or by powering down the charger after the fault is corrected. (More information on Setup menus is included in the Battery Charger Operator's Manual.)

7.6.2 Fault Alarm Output Connector

The battery charger includes a fault output relay that is activated (contacts close) when faults occur. The contacts are rated at 2 amps/30 VDC. This feature can be used by wiring a fault indicator to the fault alarm output connector located on the front of the battery charger. A 2-pin plug connector (323-1678-02) is shipped with the 15/12-amp transfer switch battery charger.

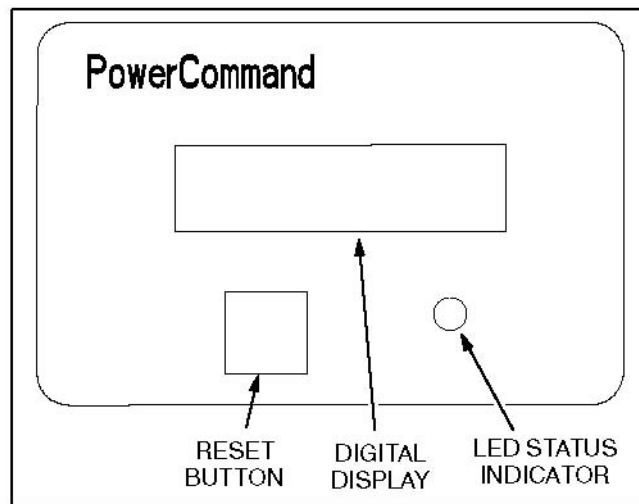


FIGURE 57. 15/12-AMP CHARGER CONTROL PANEL

7.7 Code 101 - Source 1 Connected (Event)

Logic:

Source 1 is connected to the transfer switch.

Description:

This event is active whenever the Source 1 position input is active. There is an associated LED output on the front panel, a relay output on the Relay Module, and a Digital Display screen that also indicate Source 1 is connected.

Possible Cause:

Source 1 limit switch feedback indicates switch position closed.

Diagnosis and Repair:

No further action required.

7.8 Code 102 - Source 1 Available (Event)

Logic:

Source 1 has reached the specified voltage and frequency targets.

Description:

This event is active whenever the Source 1 sensors (over/under voltage, over/under frequency, phase rotation, loss of phase, voltage imbalance) indicate that Source 1 is within acceptable limits. There is an associated LED output on the front panel and a relay output on the Relay Module.

Possible Causes:

1. Voltage feedback is within specification of the voltage select.
 - a. Level 1, nominal voltage is line-to-line.
 - b. Level 2, nominal voltage is line-to-neutral.
2. Frequency feedback is within specification of the frequency select.

Diagnosis and Repair:

No further action required.

7.9 Code 103 - Source 2 Connected (Event)

Logic:

Source 2 is connected to the transfer switch.

Description:

This event is active whenever the Source 2 position input is active. There is an associated LED output on the front panel, a relay output on the Relay Module, and a Digital Display screen that also indicate Source 2 is connected.

Possible Cause:

Source 2 limit switch feedback indicates switch position closed.

Diagnosis and Repair:

No further action required.

7.10 Code 104 - Source 2 Available (Event)

Logic:

Source 2 has reached the specified voltage and frequency targets.

Description:

This event is active whenever the Source 2 sensors (over/under voltage, over/under frequency, phase rotation, loss of phase, voltage imbalance) indicate that Source 2 is within acceptable limits. There is an associated LED output on the front panel and a relay output on the Relay Module.

Possible Causes:

1. Voltage feedback is within specification of the voltage select.
 - a. Level 1, nominal voltage is line-to-line.
 - b. Level 2, nominal voltage is line-to-neutral.
2. Frequency feedback is within specification of the frequency select.

Diagnosis and Repair

No further action required.

7.11 Code 105 - Emergency Start A (Event)

Logic:

Source A has received a start command from the transfer switch.

Description:

This event is active whenever the controller requires the Source 2 generator set to start and reach rated speed — otherwise known as an emergency start. There is also a discrete output called Emergency Start A. Conditions which may prompt an emergency start are loss of nominal voltage or frequency of Source B, a test in progress with Source A as preferred source, or exercise transfer switch with Source A as the preferred source.

Possible Causes:

1. Loss of nominal voltage or frequency of Source B.
2. Test in progress with Source A as preferred source.
3. Exercise transfer switch with Source A as preferred source.

Diagnosis and Repair:

No further action required.

7.12 Code 106 - Test Start A (Event)

Logic:

Source A has received a test start command from the control or the network.

Description:

This event is active whenever the controller performs a Test sequence. The controller also activates the Emergency Start A output in order for the generator to interpret that a Test/Exercise start is called for. The genset will not start if only the Test Start A event is active.

The test input may be sent from front panel, service tool, or network.

Possible Causes:

1. Test input sent from front panel or service tool.
2. Test input sent from network.

Diagnosis and Repair:

No further action required.

7.13 Code 107 - Emergency Start B (Event)

Logic:

Source B has received a start command from the transfer switch.

Description:**NOTICE**

Only applicable in generator set-to-generator set configuration. Generator B is Source 1.

This event is active whenever the controller requires the Source 1 generator set to start and reach rated speed — otherwise known as an emergency start. There is also a discrete output called Emergency Start B. Conditions which may prompt an emergency start are loss of nominal voltage or frequency of Source A, a test in progress with Source B as preferred source, or exercise transfer switch with Source B as the preferred source.

Possible Causes:

1. Loss of nominal voltage and frequency of Source A.
2. Test in progress with Source B as preferred source.
3. Exercise transfer switch with Source B as preferred source.

Diagnosis and Repair

No further action required.

7.14 Code 108 - Test Start B (Event)

Logic:

Source B has received a test start command from the control or the network.

Description:**NOTICE**

Only applicable in generator set-to-generator set configuration. Generator B is Source 1.

This event is active whenever the controller performs a Test sequence. The controller also activates the Emergency Start B output in order for the generator to interpret that a Test/Exercise start is called for. The generator set will not start if only the Test Start B event is active.

The test input may be sent from front panel, service tool, or network

Possible Causes:

1. Test input sent from front panel or service tool.
2. Test input sent from network.

Diagnosis and Repair:

No further action required.

7.15 Code 109 - Time Delay Engine Start A (Event)

Logic:

Source A engine start in user configured delayed time set-point.

Description:

This event is active whenever the Time Delay Start A timer is active. This event is inactive whenever the timer expires or is not active. The control activates this output whenever the control requires generator A to start.

The digital display shows this event when it becomes active. In addition, it displays an active countdown, in seconds, of the time delay.

The digital display shows this event when it becomes active. In addition, it displays an active countdown, in seconds, of the time delay.

This delay prevents the generator set from starting during short power interruptions. Timing starts at the Source 1 power interruption. If the user-defined duration (0 – 15 seconds) of interruption exceeds the time delay, the control systems starts Generator A.

Possible Cause:

Time Delay Engine Start A trim is more than 0 seconds after start command has been received.

Diagnosis and Repair:

No further action required.

7.16 Code 111 - Time Delay Engine Start B (Event)

Logic:

Source B engine start in user configured delayed time set-point.

Description:

NOTICE
Only applicable in generator set-to-generator set configuration. Generator B is Source 1.

This event is active whenever the Time Delay Start B timer is active. This event is inactive whenever the timer expires or is not active. The control activates this output whenever the control requires generator set B to start.

The digital display shows this event when it becomes active. In addition, it displays an active countdown, in seconds, of the time delay.

The digital display shows this event when it becomes active. In addition, it displays an active countdown, in seconds, of the time delay.

This delay prevents the generator set from starting during short power interruptions. Timing starts at the Source 1 power interruption. If the user-defined duration (0 – 15 seconds) of interruption exceeds the time delay, the control systems starts Generator B.

Possible Cause:

Time delay engine start B trim is more than 0 seconds after start command has been received.

Diagnosis and Repair:

No further action required.

7.17 Code 112 - Time Delay Transfer (Event)

Logic:

Switch has commanded to transfer away from the preferred source with configured time delay normal to emergency trim.

Description:

This event is active whenever the Time Delay Source 1 to Source 2 timer is active — also called the time delay transfer. This event is inactive whenever the timer expires or is not active. The control activates this output when the control is counting down to transfer the switch from Source 1 to Source 2. The digital display displays this event when it becomes active. In addition, it displays an active countdown, in seconds, of the time delay.

This time delay begins after Source 2 becomes available and allows Source 2 to stabilize before the load is applied. This delay will initiate when the preferred source fails, there is a test in progress with time delay, or an exercise transfer switch with time delay.

Possible Causes:

1. Preferred source failed and time delay normal to emergency trim is greater than 0 seconds.
2. Test in progress with time delay normal to emergency trim greater than 0 seconds.
3. Exercise transfer switch with time delay normal to emergency trim greater than 0 seconds.

Diagnosis and Repair:

No further action required.

7.18 Code 113 - Time Delay Retransfer (Event)

Logic:

Switch has commanded to retransfer back to the preferred source with configured time delay emergency to normal trim.

Description:

This event is active whenever the Time Delay Source 2 to Source 1 timer is active—also called the time delay retransfer. This event is inactive whenever the timer expires or is not active. The control activates this output when the control is counting down to transfer the switch from Source 2 to Source 1.

The digital display shows this event when it becomes active. In addition, it displays an active countdown, in seconds, of the time delay.

This event is active whenever the Time Delay Source 2 to Source 1 timer is active—also called the time delay retransfer. This event is inactive whenever the timer expires or is not active. The control activates this output when the control is counting down to transfer the switch from Source 2 to Source 1.

The digital display shows this event when it becomes active. In addition, it displays an active countdown, in seconds, of the time delay.

Possible Causes:

1. Preferred source recovered and time delay emergency to normal trim is greater than 0 seconds.
2. Test in progress with time delay emergency to normal trim greater than 0 seconds.
3. Exercise transfer switch with time delay emergency to normal trim greater than 0 seconds.

Diagnosis and Repair:

No further action required.

7.19 Code 114 - Engine Cool-Down A (Event)

Logic:

Time Delay Engine Cool-down A timer has started, but not expired.

Description:

This event is active whenever the Time Delay Engine Cool-down Timer is active and is inactive when the timer expires or is inactive. The control activates this output whenever the control is cooling down the generator set. The digital display shows this event when it becomes active. In addition, it displays an active countdown, in seconds, of the time delay.

This time delay allows the generator to cool down under no load conditions before the control turns it off.

Possible Causes:

Time delay engine cool-down A timer is greater than 0 seconds.

Diagnosis and Repair:

No further action required.

7.20 Code 115 - Program Transition (Event)

Logic:

The switch has executed a program transition between sources.

Description:

This event is active whenever the programmed transition timer is active (whenever the control is delaying the transfer switch in the neutral position). This event is inactive whenever the timer expires or is not active. The digital display shows this event when it becomes active. In addition, it displays an active countdown, in seconds, of the time delay.

Programmed Transition stops the switch in the neutral position for a user-defined interval of time. This delay allows residual current from inductive loads to decay to an acceptable level before transfer is complete.

Possible Causes:

Time delay program transition timer is greater than 0 seconds.

Diagnosis and Repair:

No further action required.

7.21 Code 116 - Transfer Pending (Event)

Logic:

There is a pending transfer active in the elevator relay module.

Description:

Whenever the Elevator Pre-transfer output is active, the controller sets this to active. The control activates this event whenever a transfer pending signal is needed in the power system – this is typically used as an early warning signal for elevator systems. When the timer expires, the event will go to inactive.

The digital display shows this event when it becomes active. In addition, it displays an active countdown, in seconds, of the time delay.

Possible Causes:

The elevator relay input has been activated.

Diagnosis and Repair:

No further action is required.

7.22 Code 117 - Test in Progress (Event)

Logic:

The control is operating under a test sequence.

Description:

This event is active whenever a test sequence is active. There is an associated LED output on the front panel and a relay output on the Relay Module. This allows the ATS operator to automatically test the transfer switch, generator, and power system.

When this event is active, the Test/Exercise Active LED on the front panel is lit and the Test/Exercise relay on the relay module is activated.

Test input may be sent from the front panel, service tool, or network.

Possible Causes:

1. Test input sent from front panel or service tool.
2. Test input sent from network.

Diagnosis and Repair:

No further action required.

7.23 Code 118 - Exercise Active (Event)

Logic:

The control is operating under an exercise sequence.

Description:

This event is active whenever an exercise is active. There is an associated LED output on the front panel and a relay output on the Relay Module. This allows the ATS operator to program and store multiple engine-generator exercise events.

When this event is active, the Test/ Exercise Active LED on the front panel is lit and the Test/Exercise relay on the relay module is activated.

This feature is only available with transfer switches with front panel display.

Possible Cause:

Exercise input programmed on front panel or service tool.

Diagnosis and Repair:

No further action required.

7.24 Code 119 - Sync Check (Event)

Logic:

The sync check sensor has been activated and is verifying if sources A and B meet conditions for synchronicity.

Description:

This event is active whenever as in-phase transfer (using the Sync Check Sensor) is pending. During this time, the Sync Check Sensor determines the acceptable conditions for a closed-transition or open transition with sync check transfers.

Possible Causes:

1. A closed transition command has been activated (applicable only to CT capable switches).
2. An open transition with Sync Check has been activate.

Diagnosis and Repair:

No further action required.

7.25 Code 121 - S1 Under Voltage (Event)

Logic:

Control has sensed that Source 1 voltage dropped below the specified dropout voltage percentage and the under voltage time delay has expired.

Description:

This event is active whenever Source 1 voltage is less than the acceptable limits. When the sensor detects a low voltage condition over a user-defined time period, this event is triggered. It should be noted that both the drop-out voltage and the time period are user-defined.

Possible Causes:

1. Nominal voltage set incorrectly.
2. Source 1 voltage is lower than the specified dropout voltage of the nominal voltage.
3. Source 1 phase multiplier and offsets need adjustment.

Diagnosis and Repair:

Contact support channel.

7.26 Code 122 - S1 Over Voltage (Event)

Logic:

Control has sensed that Source 1 voltage exceeded the specified dropout voltage percentage and the over voltage time delay has expired.

Description:

This event is active whenever Source 1 voltage is greater than the acceptable limits. When the sensor detects a high voltage condition over a specified time period, this event is triggered. It should be noted that both the drop-out voltage and the time period are user-defined.

Possible Causes:

1. Nominal voltage set incorrectly.
2. Source 1 voltage is lower than the specified dropout voltage of the nominal voltage.
3. Source 1 phase multiplier and offsets need adjustment.

Diagnosis and Repair:

Contact support channel.

7.27 Code 123 - S1 Frequency Fail (Event)

Logic:

Source 1 frequency is out of specified tolerance range.

Description:

This event is active whenever Source 1 frequency is outside acceptable limits, as defined by the user.

Possible Causes:

1. Incorrect frequency settings.
2. Frequency is outside of the dropout range.

Diagnosis and Repair:

Contact support channel.

7.28 Code 124 - S1 Loss Phase (Event)

Logic:

The relative phase angle between any line-to-line voltage has dropped to less than 90 degrees.

Description:

This event is active whenever Source 1 is missing one or more of its three phase voltages, or when the phase angle between any two lines drops below 90 degrees.

This feature is mainly used to protect three-phase devices, like motors. It is only available on Level 2 controls, in a three-phase application. This feature initiates a transfer away from a source that has lost a single phase and it prevents transfer to a source that has lost a single phase.

Possible Causes:

1. One of the three phases is open or has been shorted.
2. Sensing Leads to Power Module are loose or broken.

Diagnosis and Repair:

Contact support channel.

7.29 Code 125 - S1 Imbalance Fail (Event)

Logic:

Sensor has detected there is an unbalanced voltage condition on a three-phase system for source 1.

Description:

This event is active whenever there is a significant imbalance between the phases of Source 1. The voltage must deviate from the average voltage by a user-specified value between 2 and 10% (drop-out).

This feature is used for equipment protection. It is used in three-phase applications and informs the operator when there is a significant voltage imbalance between the phases of Source 1 or Source 2. The imbalance is typically caused by severe single phase loading. To prevent nuisance faults, the setting can be increased up to ten percent of nominal voltage.

Possible Cause:

Incorrect imbalance settings.

Diagnosis and Repair:

Contact support channel.

7.30 Code 126 - S2 Under Voltage (Event)

Logic:

Control has sensed that Source 2 voltage dropped below the specified dropout voltage percentage and the under voltage time delay has expired.

Description:

This event is active whenever Source 2 voltage is less than the acceptable limits. When the sensor detects a low voltage condition over a specified time period, this event is triggered. It should be noted that both the drop-out voltage and the time period are user-defined.

Possible Causes:

1. Nominal voltage set incorrectly.
2. Source 2 voltage is lower than the specified dropout voltage of the nominal voltage.
3. Source 2 phase multiplier and offsets need adjustment.

Diagnosis and Repair:

Contact support channel.

7.31 Code 127 - S2 Over Voltage (Event)

Logic:

Control has sensed that Source 2 voltage exceeded the specified dropout voltage percentage and the over voltage time delay has expired.

Description:

This event is active whenever Source 2 voltage is greater than the acceptable limits. When the sensor detects a high voltage condition over a specified time period, this event is triggered. It should be noted that both the drop-out voltage and the time period are user-defined.

Possible Causes:

1. Nominal voltage set incorrectly.
2. Source 2 voltage is lower than the specified dropout voltage of the nominal voltage.
3. Source 2 phase multiplier and offsets need adjustment.

Diagnosis and Repair:

Contact support channel.

7.32 Code 128 - S2 Frequency Fail (Event)

Logic:

Source 2 frequency is out of specified tolerance range.

Description:

This event is active whenever Source 2 frequency is outside acceptable limits, as defined by the user.

Possible Causes:

1. Incorrect frequency settings.
2. Frequency is outside of the dropout range.

Diagnosis and Repair:

Contact support channel.

7.33 Code 129 - S2 Loss Phase (Event)

Logic:

The relative phase angle between any line-to-line voltage has dropped to less than 90 degrees.

Description:

This event is active whenever Source 2 is missing one or more of its three phase voltages, or when the phase angle between any two lines drops below 90 degrees.

This feature is mainly used to protect three-phase devices, like motors. It is only available on Level 2 controls, in a three-phase application. This feature initiates a transfer away from a source that has lost a single phase and it prevents transfer to a source that has lost a single phase.

Possible Causes:

1. One of the three phases is open or has been shorted.
2. Sensing Leads to Power Module are loose or broken.

Diagnosis and Repair:

Contact support channel.

7.34 Code 131 - S2 Imbalance Fail (Event)

Logic:

Sensor has detected there is an unbalanced voltage condition on a three-phase system for source 2.

Description:

This event is active whenever there is a significant imbalance between the phases of Source 2. The voltage must deviate from the average voltage by a user-specified value between 2 and 10% (drop-out).

This feature is used for equipment protection. It is used in three-phase applications and informs the operator when there is a significant voltage imbalance between the phases of Source 2.

Possible Cause:

Incorrect imbalance settings.

Diagnosis and Repair:

Contact support channel.

7.35 Code 132 - Phase Rotation Failure (Event)

Logic:

Source 1 and Source 2 do not have the same phase rotation.

Description:

This event is active whenever Source 1 and Source 2 voltages have difference phase sequences. This feature is used to protect against equipment damage. It is only available on Level 2 controls. This feature is required in fire pump applications and is enabled by default.

This feature monitors the phase rotation of the non-connected source in relation to the connected source. When the non-connected source is out of phase rotation with the connected source, transfer is inhibited. This generally occurs on new installations or after storm damage or generator rewiring.

The phase rotation shall only be checked if both sources have acceptable voltage and frequency.

Possible Causes:

1. Invalid phase rotation.
2. Distortion caused by customer loads.

Diagnosis and Repair:

Contact support channel.

7.36 Code 133 - Motor Disconnect (Event)

Logic:

Motor disconnect input has been detected by the control.

Description:

This event is active whenever the ATS Motor Disconnect input is active. This input causes the controller to enter a non-automatic mode – it does not try to move the transfer switch mechanism.

Possible Cause:

Motor disconnect input is in the OFF position.

Diagnosis and Repair:

Verify linear motor disconnect switch is in AUTO.

7.37 Code 134 - Load Shed (Event)

Logic:

The transfer switch was signaled to shed load from the generator.

Description:

This event is active whenever the Load Shed input is active or the *nviLoadShedCmd* input is active. Load Shed causes the transfer switch to disconnect from an otherwise available source in order to reduce the load demand on that source. The switch is moved to the Neutral position.

Possible Causes:

1. The *Load Shed* relay (optional) was energized because the transfer switch was signaled to shed load from the generator.
2. Connections at J15-15 and J15-16 were energized causing a logic input from the load shed to the control.

Diagnosis and Repair:

No further action is required.

7.38 Code 135 - Transfer Inhibit (Event)

Logic:

The control has received a transfer inhibit command.

Description:

This event is active whenever the Transfer Inhibit input is active, or the *nviTransferInhCmd* input is active. Transfer Inhibit is used to prevent the ATS from automatically transferring the load to Source 2.

While the Transfer Inhibit is active, the Not in Auto signal will be turned on.

Possible Cause:

(J27-4) TB2-6 (Transfer Inhibit) is receiving a ground signal. Not in auto signal will be turned on.

Diagnosis and Repair:

Load transfers can only take place by pressing the override button on the switch panel or disabling the transfer inhibit input.

7.39 Code 136 - Retransfer Inhibit (Event)

Logic:

Switch has commanded to retransfer back to the preferred source but is inhibited by outside input.

Description:

This event is active whenever the Retransfer Inhibit input is active, or the *nviReTransferInhCmd* input is active. Even though the Not-in-Auto light is lit, the transfer switch will function correctly. Transfer Inhibit is used to prevent the ATS from automatically transferring the load back to Source 1.

When this event is active, (J27-1) TB3-53 (Retransfer Inhibit) is receiving a ground signal. Not in auto signal will be turned on.

Possible Cause:

(J27-1) TB3-53 (Retransfer Inhibit) is receiving a ground signal. Not in auto signal will be turned on.

Diagnosis and Repair:

No further action required.

7.40 Code 137 - Bypassed to S1 (Event)

Logic:

The Bypass mechanism has been placed into S1 position.

Description:

This event is active when operator manually connects the Bypass switch to Source 1. Upon detecting the Bypass Source 1 input is active, the control activates the Not In Auto LED, activates the Not In Auto relay output, and changes the Bypassed Source 1 event status to active.

Possible Causes:

1. The handle has moved to the bypass S1 position.
2. The limit switch AB41 has been closed.

Diagnosis and Repair:

No further action required.

7.41 Code 138 - Bypassed to S2 (Event)

Logic:

The bypass mechanism has been placed into S2 position.

Description:

This event is active when operator manually connects the Bypass switch to Source 2. Upon detecting the Bypass Source 2 input is active, the control activates the Not In Auto LED, activates the Not In Auto relay output, and changes the Bypassed Source 2 event status to active.

Possible Causes:

1. The handle has moved to the bypass S2 position.
2. The limit switch AB33 has been closed.

Diagnosis and Repair:

No further Action Required.

7.42 Code 139 - Not in Auto (Fault)

⚠ CAUTION

Electric Shock Hazard

Capacitors are considered stored energy and present an electrical shock hazard that can cause personal injury.

Make sure all capacitors are safely and fully discharged before working on equipment.

Logic:

The Switch is not in the automatic mode of operation.

Description:

1. The Motor Disconnect Switch is Off.
2. The Transfer Inhibit signal is active.
3. The Retransfer Inhibit signal is active.
4. The Load Shed signal is active.

5. The Bypass switch is connected.
6. C1 capacitor is cracked.

Diagnosis and Repair:

1. Move Motor Disconnect Switch to Auto.
2. Remove Transfer Inhibit signal.
3. Remove Retransfer Inhibit signal.
4. Remove Load Shed signal.
5. Disconnect bypass switch.
6. Check C1 capacitor.
 - a. Remove C1 capacitor.
 - b. Inspect capacitor for physical damage.
 - c. If possible, test capacitor with a digital multimeter.
 - d. Replace as necessary.

7.43 Code 141 - Service Tool (Event)

Logic:

The control is connected to the Service Tool via serial link.

Description:

This event is active whenever the PC service tool is connected to the controller. The purpose for this event is to provide a chronological service history, which is stored in the ATS.

Possible Cause:

The control has received the connect command from the computer.

Diagnosis and Repair:

No further action is required.

7.44 Code 143 - Sync Enable (Event)

Logic:

The control is ready to run the sync check sensor.

Description:

This event is only displayed if active synchronicity is enabled. This event becomes active when the control sends a Sync Enable message to a network control generator. In Closed Transition applications with active synchronizing, the controller will use the Sync Enable command instead of the Speed Adjust command. The controller activates the Sync Enable command just before activating the Sync Check Sensor. When the generator control receives the Sync Enable input and it detects the Source-1 bus voltages, the generator control will automatically synchronize its speed and phase to match the Source-1 bus.

Possible Cause:

The Sync Enable command has activated the Sync Check Sensor.

Diagnosis and Repair:

No Further action required.

7.45 Code 144 - Speed Adjust (Event)

Logic:

Switch is monitoring frequency of S1 and S2 and communicated to generator to alter speed before retransferring back to the preferred source based upon configured value.

Description:

This event is used to send a Speed Adjust message to a network generator control. The controller sends the message and logs the event. This signal causes the genset to increase speed by ½ Hz to sync with the utility. This signal ends when the transfer is complete.

Possible Causes

Generator is given speed command to retransfer to utility during close transition operation.

Diagnosis and Repair:

No further action required.

7.46 Code 145 - Fail to Sync (Event)

Logic:

Sources failed to synchronize (voltage, frequency, phase) within a two-minute limit during a transfer.

Description:

This event indicates the two power sources have failed to synchronize either voltage, phase or frequency within the hardcoded time limit of 120 seconds.

The event stays active until the Reset/Lamp Test button on the front panel is pressed. The Fail to Sync output stays closed until the Reset button is pressed.

After a Fail to Sync event occurs, another Fail to Sync event may occur or, if set up to do so, the transfer switch may go to open transition. If not set up to go to open transition, a series of Fail to Sync events may repeat until the system synchronizer is adjusted or repaired.

Possible Causes:

1. Frequency difference between the two sources is not within 1.0 Hz.
2. Average voltage difference between the two sources is not within 5 – 25 volts (AC).
3. Relative phase angle between the two sources is not within 25° or is moving towards 0°.

Diagnosis and Repair:

No further action required.

7.47 Code 146 - Sequencer Output 1-8 (Event)

Logic:

The transfer switch is performing load (add) sequencing with other switches connected in the network.

Description:

The Load Sequencer feature consists of eight programmable timers which can control eight different network devices in a timed sequence. Each Load Sequencer output is an independent Event Announcement, This is necessary for the Network Control Module (NCM) to receive and transmit event changes. When these outputs are active, the transfer switch is typically inhibiting another transfer switch from loading the active source. This allows a gentle loading of a transfer switch when performing a transfer or retransfer sequence. The Event Handler generates an Event Announcement whenever the Load Sequencer outputs (1-8) change state.

Possible Cause:

The load sequencer feature has been activated and the switch has received the sequencer signal.

Diagnosis and Repair:

No further action is required.

7.48 Code 155 - Network Wink (Event)

Logic:

Transfer switch was manually given a command to send an identification signal via network to all other nodes that are connected.

Description:

The network wink event is active whenever the Network Control Module (NCM) performs a logical write command to the controller. Network wink events are used by network service technicians to identify a particular network device in order to identify it from other devices. The controller responds to an active network wink event by placing a Network Wink message on the digital display.

Possible Cause:

Transfer switch was manually given a command to send a network wink.

Diagnosis and Repair:

No further action required.

7.49 Code 156 - Common Alarm A (Event)

Logic:

Source 2 is not available.

Description:

When this event is active and the digital relay module is utilized, if Genset A is not available this fault will signal to the transfer switch to execute a time delay engine start (TDES) for Genset B and transfer to that source once it is available. It will "lock out" Genset A until the fault is cleared. This is primarily used in generator to generator applications.

Possible Causes:

1. Genset A has a common alarm failure.
2. Digital relay module common alarm input is shorted to battery power.

Diagnosis and Repair:

Contact support channel.

7.50 Code 157 - Common Alarm B (Event)

Logic:

Source 1 is not available.

Description:

When this event is active and the digital relay module is utilized, if Genset B is not available this fault will signal to the transfer switch to execute a time delay engine start (TDES) for Genset A and transfer to that source once it is available. It will “lock out” Genset B until the fault is cleared. This is primarily used in generator to generator applications.

Possible Causes:

1. Genset B has a common alarm failure.
2. Digital relay module common alarm input is shorted to battery power.

Diagnosis and Repair:

Contact support channel.

7.51 Code 158 - Loss of Power (Event)

Logic:

The constant DC voltage of the controller has fallen below the normal operating point but kept above the basic operation voltage.

Description:

If this event is displayed on the front panel, the controller will shut itself down within 5 seconds of the message being displayed.

If this event is listed in the Event History log, it indicates that the control went to sleep after not receiving AC power from either source for 30 seconds.

The controller signals the network card and other devices that the ATS controller is going to shutdown due to lack of power. This signal triggers a time-delay start or other sequences. After these sequences are complete the controller shuts itself off in order to conserve the back-up batteries. The network card responds by not communicating to the controller.

Possible Cause:

Transfer switch has voltage input failure causing voltage dip to control.

Diagnosis and Repair:

Contact support channel.

7.52 Code 159 - TD Stop B (Event)

Logic:

Time Delay Stop Event B. The ATS begins timing delay when the load is retransferred to Source A.

Description:

This event is active when the controller initiates a time delay before shutting down Generator B after a retransfer. This is done to ensure stability on Source 1 before shutdown.

Possible Cause:

ATS retransferred to Source A.

Diagnosis and Repair:

No further action required.

7.53 Code 161 - High Neutral Amps (Event)

Logic:

Neutral current exceeded specified current threshold over a predetermined period of time.

Description:

NOTICE

This event is detected only on switches equipped with the Load Monitoring bar graph.

The control issues a warning when the neutral current exceeds a user specified value between 100% to 150% of the rated current during a specified time period between 10 to 60 seconds.

Possible Causes:

1. Current transformers wired incorrectly.
2. Bad current transformers.
3. Current transformer improperly calibrated.

Diagnosis and Repair:

Contact support channel.

7.54 Code 162 - Preferred Source 1 (Event)

Logic:

Source 1 is designated the preferred source.

Description:

This event is active when the preferred source variable changes from Source 2 to Source 1.

Possible Cause:

The operator selects source 1 as the preferred source.

Diagnosis and Repair:

No further action required.

7.55 Code 163 - Preferred Source 2 (Event)

Logic:

Source 2 is designated the preferred source.

Description:

This event is active when the preferred source variable changes from Source 1 to Source 2.

Possible Cause:

The operator selects source 2 as the preferred source.

Diagnosis and Repair:

No further action required.

7.56 Code 164 - Source 1 Stopped (Event)

Logic:

Source 1 has been stopped.

Description:

After Source 1 has been shut down, this event indicates the generator set is no longer running.

Possible Causes:

Generator set B has been shut down.

Diagnosis and Repair:

No further action required.

7.57 Code 165 - Source 2 Stopped (Event)

Logic:

Source 2 has been stopped.

Description:

After Source 2 has been shut down, this event indicates the generator set is no longer running.

Possible Causes:

Generator set A has been shut down.

Diagnosis and Repair:

No further action required.

7.58 Code 167 - Control Lockout (Event)

Logic:

Transfer switch faults out on a “Fail-to-Close” or “Fail-to-Open” during either the transfer or re-transfer.

Description:

This event occurs when any of faults listed below occur.

Possible Causes:

1. Source 1 fails to open.
2. Source 1 fails to close.
3. Source 2 fails to open.
4. Source 2 fails to close.

Diagnosis and Repair:

In all four cases, the control lockout condition can be terminated by pressing to reset button on the front panel. However, it is recommended that the source of the lockout be investigated using InPower.

1. Refer to Fault Code 2397.
2. Refer to Fault Code 2396.
3. Refer to Fault Code 1453.
4. Refer to Fault Code 1452.

7.59 Code 168 - Panel Lock (Event)

Logic:

Key Switch is in the Panel Lock Position.

Description:**NOTICE**

This event will only occur on transfer switches equipped with the optional security key switch.

This event is active when the key switch is in the Panel Lock position. When the Key Switch is in the Panel Lock position, the front panel Test and Override pushbuttons are disabled and no changes to the setup menus can be made.

Possible Cause:

Key Switch is in the Panel Lock position.

Diagnosis and Repair:

1. Key Switch is in the Panel Lock position.
 - a. Turn Key Switch to the Program position.

7.60 Code 169 - Max Parallel Time Exceeded (Event)

Logic:

Maximum Parallel Time has completed a user-defined time period.

Description:

At the beginning of a closed transition, a user-defined Maximum Parallel Time Delay is initiated. After the predetermined set time has expired, the original source is removed.

Possible Cause:

Transfer switch has exceeded max parallel time trim.

Diagnosis and Repair:

No action required.

7.61 Code 441 - Low Controller Battery (Event)

Logic:

Controller battery has dropped below 5.2 VDC.

Description:

Insufficient voltage is supplied to the controller.

Possible Causes:

1. No Battery.
2. Battery no longer holds charge.

Diagnosis and Repair:

Contact support channel.

7.62 Code 597 - Battery Charger Malfunction (Fault)

Logic:

The controller monitors the status of the optional battery charger. If the battery charger Fault input is active, this event is active.

Description:

For transfer switches that include a genset battery charger, this event signals the controller that the genset battery charger is malfunctioning and may need to be replaced.

This is not a standard factory connection. For more information, contact your dealer or distributor.

The event remains active until the Reset button on the front panel is pressed.

Possible Causes:

1. For 277, 380, 416, and 600 VAC chargers - Bad battery charger fuse(s).
2. For 120, 208, and 240 VAC chargers – Tripped circuit breakers.

3. Bad connection at optional relay module.
4. Refer to OEM manual.

Diagnosis and Repair:

Contact support channel.

7.63 Code 1113 - ATS Fail to Close: Transfer (Fault)

Logic:

Transfer switch failed to move in the predetermined time period.

Description:

For utility-to-genset applications, this event is active if the transfer switch failed to move from Source 1 to Neutral or Neutral to Source 2 within a preset time limit.

For utility-to-utility and genset-to-genset applications, this event is active if the transfer switch failed to move from the preferred source to the backup source within a preset time limit.

For open transition transfer switches, the controller first verifies the transfer switch moved from Source 1 to Neutral within the time limit defined in the Fail to Open Time Delay. The controller also verifies that the transfer switch moved from Neutral to Source 2 within the time limit defined in the Fail to Close Time Delay.

For closed transition transfer switches, the controller verifies that the ATS retransferred from Source 1 to Source 2 within the time limits.

Possible Causes:

1. Transfer switch "Fail to Close Time Limit" setting needs adjustment or is incorrect.
2. No Transfer signal.
3. No Programmed Transition signal.
4. Transfer switch S2 limit switch has failed/improperly adjusted.
5. Faulty limit switch wiring and/or digital board.
6. Linear actuator does not move when energized.
7. Mechanical damage to switch mechanism.

Diagnosis and Repair:

Contact support channel.

7.64 Code 1114 - ATS Fail to Close: RE-Transfer (Fault)

Logic:

The control detects a "Fail to Close" fault whenever the transfer switch does not move within the time interval after the command to transfer to the normal source (S1). A "Fail to Close" fault will be detected if the transfer switch either "Fails to Open" or it "Fails to Close". The front panel reset button must be pressed to exit this condition.

Description:

For utility-to-genset applications, this event is active if the transfer switch failed to move from Source 2 to Neutral or Neutral to Source 1 within a preset time limit.

For utility-to-utility and genset-to-genset applications, this event is active if the transfer switch failed to move from the preferred source to the backup source within a preset time limit.

For open transition transfer switches, the controller first verifies the transfer switch moved from Source 2 to Neutral within the time limit defined in the Fail to Open Time Delay. The controller also verifies that the transfer switch moved from Neutral to Source 1 within the time limit defined in the Fail to Close Time Delay.

For closed transition transfer switches, the controller verifies that the ATS retransferred from Source 2 to Source 1 within the time limits.

Possible Causes:

1. Transfer switch "Fail to Close Time Limit" setting needs adjustment or is incorrect.
2. No Transfer signal.
3. No Programmed Transition signal.
4. Transfer switch S2 limit switch has failed/improperly adjusted.
5. Faulty limit switch wiring and/or digital board.
6. Linear actuator does not move when energized.
7. Mechanical damage to switch mechanism.

Diagnosis and Repair:

Contact support channel.

7.65 Code 1121 - ATS Fail to Disconnect (Fault)

Logic:

Controller has sense that neither source has opened during a parallel transition.

Description:

This event is active when both sources have paralleled, there is a failure to open either power source, and all attempts to automatically separate them within a set period of time have failed. This event applies to only closed transition modes and is needed to trip an external circuit breaker. The event remains active until the Reset button on the front panel is pressed.

Possible Causes:

1. Time Delay Fail to disconnect to low.
2. Mechanical fault or damage preventing or slowing switch movement.
3. Limit switches not working or being activated.

Diagnosis and Repair:

Contact support channel.

7.66 Code 1452 - Fail to Close S2 (Fault)

Logic:

Full transition from Source 1 to Source 2 was not established.

Description:

While attempting to transfer the load to Source 2, the control was not able to close Source 2 contacts within a certain time interval after the command. A Fail to Close fault will be detected if the transfer switch fails to open or it fails to close. This event is followed by a Control Locked Out event.

Possible Causes:

1. Transfer switch "Fail to Close Time Limit" setting needs adjustment or is incorrect.
2. No Transfer signal.
3. No Programmed Transition signal.
4. Switch is jammed or stuck.
5. Limit switches not working or being activated.
6. Linear actuator does not move when energized.

Diagnosis and Repair:

Contact support channel.

7.67 Code 1453 - Failed to Open S2 (Fault)

Logic:

Source 2 did not open during retransfer in allotted time.

Description:

While attempting to transfer the load to Source 1, the control was not able to open the Source 2 contacts within the user-defined Fail to Open time limit. This event is followed by a "Control Lock Out" event.

Possible Causes:

1. No Transfer signal.
2. Linear actuator does not move when energized.
3. No Programmed Transition signal.
4. Switch is jammed or stuck.
5. Limit switches not working or being activated.

Diagnosis and Repair:

Contact support channel.

7.68 Code 1468 - Network Communications Error (Fault)

Logic:

The LonWorks card has generated a network communication error fault.

Description:

This event is detected by the Network Communications Module (NCM) and is communicated to the transfer switch controller. This indicates that the device is no longer communicating with other devices on the network. The controller Fault Flash-out subsystem flashes this fault until the fault is reset.

Possible Causes:

1. The ATS network card has been disconnected from the other elements in the network.
2. The ATS network card has lost network information.
3. The ATS network card is not commissioned correctly.
4. One of the elements connected to the transfer switch is not communicating correctly.
5. One of the elements connected to the transfer switch is not commissioned correctly.
6. Bad network card.

Diagnosis and Repair:

Contact support channel.

7.69 Code 2396 - Failed to Close S1 (Fault)

Logic:

Full transition from Source 2 to Source 1 was not established.

Description:

While attempting to transfer the load to Source 1, the control was not able to close Source 1 contacts within a certain time interval after the command. A Fail to Close fault will be detected if the transfer switch fails to open or it fails to close. This event is followed by a Control Locked Out event.

Possible Causes:

1. Transfer switch "Fail to Close Time Limit" setting needs adjustment or is incorrect.
2. No Transfer signal.
3. No Programmed Transition signal.
4. Switch is jammed or stuck.
5. Limit switches not working or being activated.
6. Linear actuator does not move when energized.

Diagnosis and Repair:

Contact support channel.

7.70 Code 2397 - Fail to Open S1 (Fault)

Logic:

Source 1 did not open during transfer in allotted time.

Description:

While attempting to transfer the load to Source 1, the control was not able to open the Source 2 contacts within the user-defined Fail to Open time limit. This event is followed by a "Control Lock Out" event.

Possible Causes:

1. No Transfer signal.
2. No Programmed Transition signal.
3. Switch is jammed or stuck.
4. Limit switches not working or being activated.
5. Linear actuator does not move when energized.

Diagnosis and Repair:

Contact support channel.

This page is intentionally blank.

power.cummins.com

Copyright © 2022 Cummins Inc. All rights reserved.

Cummins, the "C" logo, PowerCommand, AmpSentry, and InPower are trademarks of Cummins Inc.

Other company, product, or service names may be trademarks or service marks of others.

Specifications are subject to change without notice.

