

RIGHT SIDE VIEW

← WIREWAY FOR TOP ENTRY POWER WIRING

} AC INPUT TO UPS RECTIFIER AND BYPASS (A, B, C, N)
 } AC OUTPUT TO CRITICAL LOAD (A, B, C, N)
 } DC INPUT FROM BATTERY TO UPS (+ AND -)
 } SEE SHEET 4 FOR DETAILS

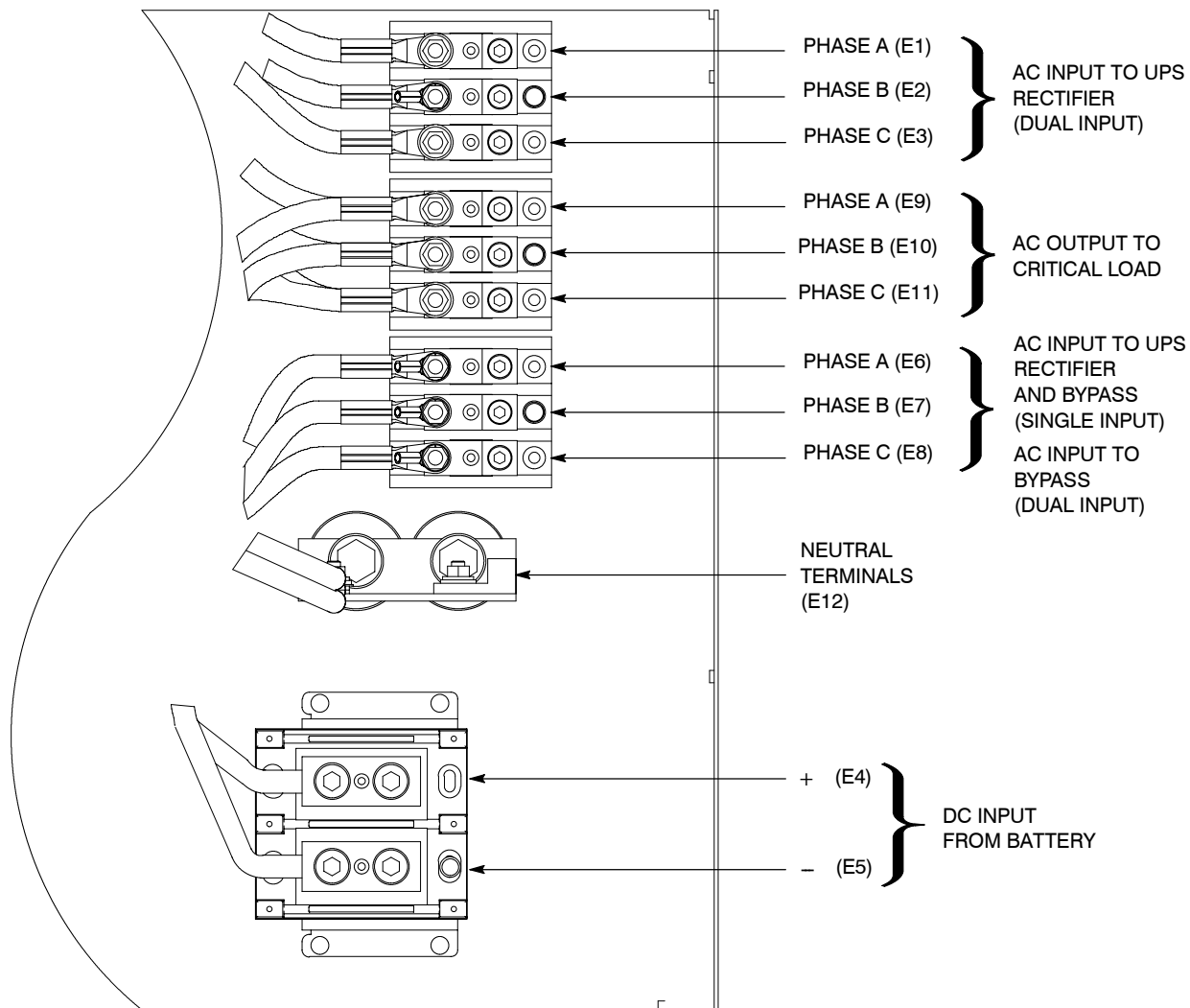
← GROUND TERMINALS

480V INPUT AND 480V OUTPUT

NOTE: Metal shields covering wiring terminals must be removed or opened to gain access to terminals.

DESCRIPTION: UPS POWER TERMINAL LOCATIONS	
DRAWING NO: 164201535-7	SHEET: 3 of 4
REVISION: D	DATE: 032406

TERMINAL DETAIL



480V INPUT AND 480V OUTPUT

DESCRIPTION: UPS POWER TERMINAL LOCATIONS		
DRAWING NO: 164201535-7	SHEET: 4 of 4	
REVISION: C	DATE: 081505	