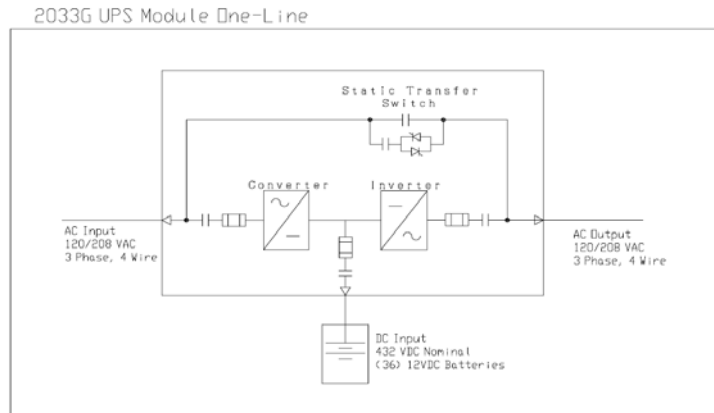


Mitsubishi 2033G UPS Specification

KVA	Input Voltage	Output Voltage	Dimensions (W x D x H)	Weight (lbs)	Nominal DC Voltage	Battery System
30	120/208 VAC	120/208 VAC	27.6"x31.5"x59.1"	569	432 VDC	External
50	120/208 VAC	120/208 VAC	27.6"x31.5"x59.1"	648	432 VDC	External



Standard Features

- CSTBT (Carrier Stored Trench Bipolar Transistor) (Converter / Inverter)
- UL 1778 / cUL listed
- Conformally coated boards (Industrial environment)
- Front access only (Serviceability)
- DiamondSense battery self-test
- LCD Touch Panel Display

AC Input Rating

- +15% to -25%
- 1:1 Generator ratio
- THD: 4% typical at 100% Load
- 3 Phase, 4 wire plus Ground, 60 Hz
- Surge Withstand: Meets IEEE 587, ANSI C62.41-1991
- EMI Compatibility: FCC Title 47, Part 15 Subpart B

Mitsubishi Electric Power Products, Inc.
 530 Keystone Drive
 Warrendale, PA 15086
 Phone: 724-772-2555

Operating Environment

- Low acoustic noise (70 dBA @ 1 Meter)
- Temperature: 0 to 40 Degrees C
- Relative humidity: 5-95% (non-condensing)
- Altitude: 7,400 feet (no derating)

AC Output Rating

- 3 Phase, 4 wire plus Ground, 60 Hz
- Power factor: 0.8 to 1.0 Lag (within output KW rating)
- Frequency: 60 Hz +/-0.01% (free running)
- Voltage accuracy: +/- 1%
- Transient recovery time: 16.7 ms
- Load unbalance: 100% +/-2% or less
- Step load change: 0 to 100% +/- 5%
- Load/Return of AC power: +/-2% at 100% Load
- UPS load transfer, bypass: +/- 3% at 100 % Load
- Voltage THD: 2% (100% linear load) 5% (100% non-linear load)
- Slew Rate: 2 Hz/sec (selectable)